

## Power Metal Strip® Battery Shunt Resistor, Very Low Value (100 $\mu\Omega$ and 125 $\mu\Omega$ )



### FEATURES

- High power to resistor size ratio
- Proprietary processing technique produces extremely low resistance values
- All welded construction
- RoHS compliant, lead (Pb)-free construction
- Very low inductance (< 5 nH)
- Excellent frequency response to 50 MHz
- Low thermal EMF (< 3  $\mu\text{V}/^\circ\text{C}$ )



**RoHS**  
COMPLIANT

### STANDARD ELECTRICAL SPECIFICATIONS

GLOBAL MODEL	POWER RATING $P_{70^\circ\text{C}}$ W	TOLERANCE %	RESISTANCE VALUE $\mu\Omega$	WEIGHT (Typical) g
WSBS8518	36	5.0	100, 125	46.3

### TECHNICAL SPECIFICATIONS

PARAMETER	UNIT	RESISTOR CHARACTERISTICS
Temperature Coefficient	ppm/ $^\circ\text{C}$	$\pm 225$
Operating Temperature Range	$^\circ\text{C}$	- 65 to + 170
Maximum Current Rating	A	$(P/R)^{1/2}$

### GLOBAL PART NUMBER INFORMATION

GLOBAL PART NUMBERING: WSBS8518L1250JK (WSBS8518, 0.000125  $\Omega$ ,  $\pm 5\%$ )

W S B S 8 5 1 8 L 1 2 5 0 J K

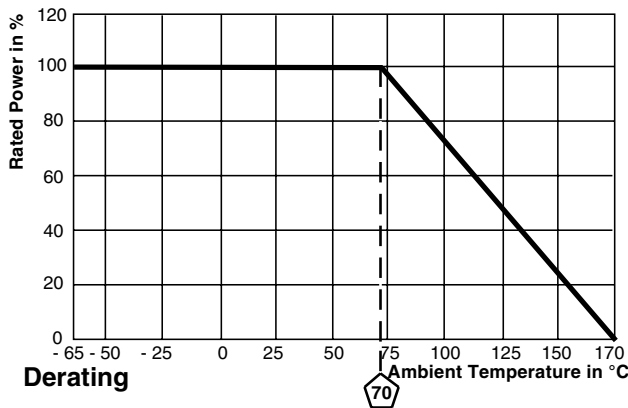
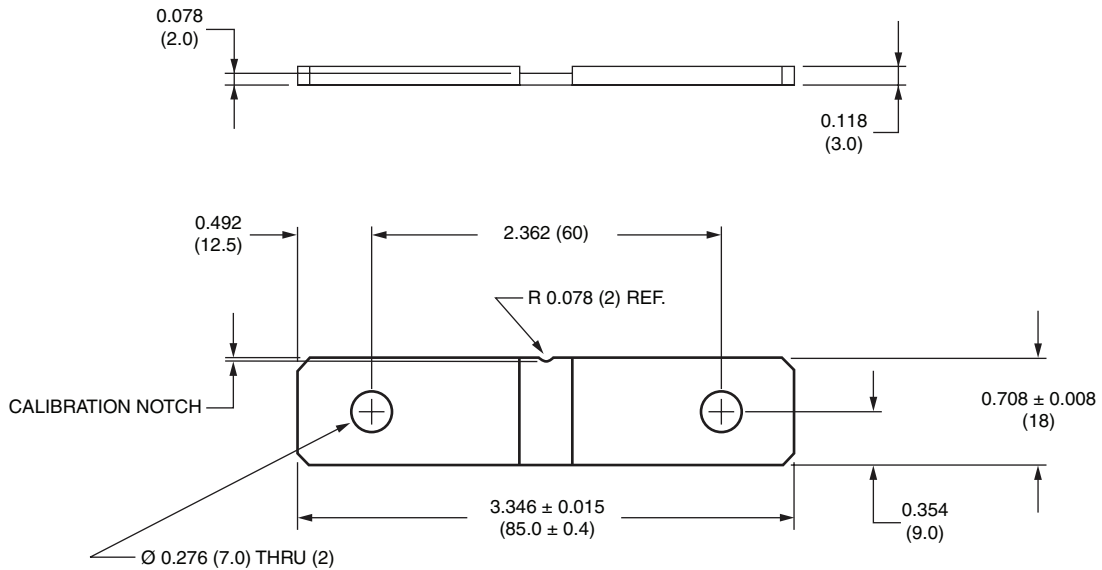
GLOBAL MODEL	RESISTANCE VALUE	TOLERANCE CODE	PACKAGING CODE	SPECIAL
WSBS8518	L = m $\Omega$ L1000 = 0.000100 $\Omega$ L1250 = 0.000125 $\Omega$	J = $\pm 5.0\%$	K = Bulk pack	(Dash number) (up to 2 digits) From 1 - 99 as applicable



**Power Metal Strip® Battery Shunt Resistor,  
Very Low Value (100  $\mu\Omega$  and 125  $\mu\Omega$ )**

Vishay Dale

**DIMENSIONS** in inches (millimeters)



TOLERANCES ON DECIMALS  
XXX ± 0.005  
UNLESS OTHER WISE LISTED

RESISTANCE VALUE ( $\mu\Omega$ )	ELEMENT MATERIAL
100	Mn-Cu
125	Mn-Cu

PERFORMANCE		
TEST	CONDITIONS OF TEST	TEST LIMITS
Thermal Shock	- 55 °C to + 150 °C, 1000 cycles, 15 min at each extreme	± 0.5 % $\Delta R$
Short Time Overload	5 x rated power for 5 s	± 0.5 % $\Delta R$
Low Temperature Operation	- 65 °C for 45 min	± 0.5 % $\Delta R$
High Temperature Exposure	1000 h at + 170 °C	± 1.0 % $\Delta R$
Bias Humidity	+ 85 °C, 85 % RH, 10 % Bias, 1000 h	± 0.5 % $\Delta R$
Mechanical Shock	100 g's for 6 ms, 5 pulses	± 0.5 % $\Delta R$
Vibration	Frequency varied 10 to 2000 Hz in 1 min, 3 directions, 12 h	± 0.5 % $\Delta R$
Load Life	1000 h at + 70 °C, 1.5 h "ON", 0.5 h "OFF"	± 1.0 % $\Delta R$
Moisture Resistance	MIL-STD-202, Method 106, 0 % power, 7b not required	± 0.5 % $\Delta R$



## Disclaimer

All product specifications and data are subject to change without notice.

Vishay Intertechnology, Inc., its affiliates, agents, and employees, and all persons acting on its or their behalf (collectively, "Vishay"), disclaim any and all liability for any errors, inaccuracies or incompleteness contained herein or in any other disclosure relating to any product.

Vishay disclaims any and all liability arising out of the use or application of any product described herein or of any information provided herein to the maximum extent permitted by law. The product specifications do not expand or otherwise modify Vishay's terms and conditions of purchase, including but not limited to the warranty expressed therein, which apply to these products.

No license, express or implied, by estoppel or otherwise, to any intellectual property rights is granted by this document or by any conduct of Vishay.

The products shown herein are not designed for use in medical, life-saving, or life-sustaining applications unless otherwise expressly indicated. Customers using or selling Vishay products not expressly indicated for use in such applications do so entirely at their own risk and agree to fully indemnify Vishay for any damages arising or resulting from such use or sale. Please contact authorized Vishay personnel to obtain written terms and conditions regarding products designed for such applications.

Product names and markings noted herein may be trademarks of their respective owners.