



# S504T/S504TR/S504TRW

Vishay Semiconductors

## MOSMIC<sup>®</sup> for TV-Tuner Prestage with 5 V Supply Voltage

MOSMIC - MOS Monolithic Integrated Circuit

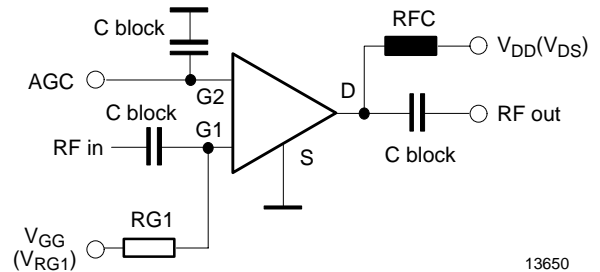
Electrostatic sensitive device.

Observe precautions for handling.



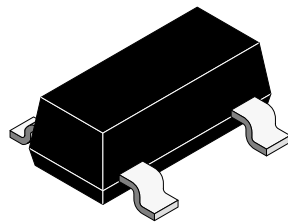
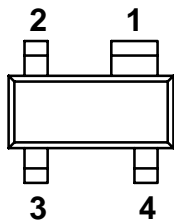
### Applications

Low noise gain controlled input stages in UHF-and VHF- tuner with 5 V supply voltage.



### Features

- Easy Gate 1 switch-off with PNP switching transistors inside PLL
- High AGC-range
- Integrated gate protection diodes
- Low noise figure
- High gain
- Improved cross modulation at gain reduction
- SMD package

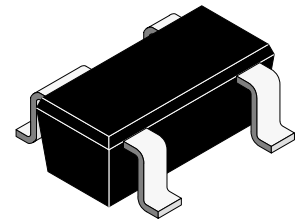
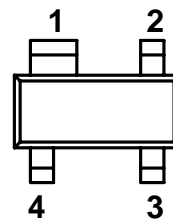


13628

S504T Marking: 504

Plastic case (SOT 143)

1 = Source, 2 = Drain, 3 = Gate 2, 4 = Gate 1

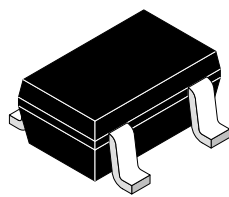
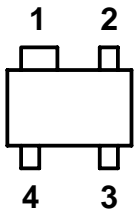


13629

S504TR Marking: 54R

Plastic case (SOT 143R)

1 = Source, 2 = Drain, 3 = Gate 2, 4 = Gate 1



13633

S504TRW Marking: W04

Plastic case (SOT 343R)

1 = Source, 2 = Drain, 3 = Gate 2, 4 = Gate 1

### Absolute Maximum Ratings

$T_{amb} = 25^{\circ}\text{C}$ , unless otherwise specified

| Parameter                           | Test Conditions                   | Symbol            | Value       | Unit               |
|-------------------------------------|-----------------------------------|-------------------|-------------|--------------------|
| Drain - source voltage              |                                   | $V_{DS}$          | 8           | V                  |
| Drain current                       |                                   | $I_D$             | 25          | mA                 |
| Gate 1/Gate 2 - source peak current |                                   | $\pm I_{G1/G2SM}$ | 10          | mA                 |
| Gate 1/Gate 2 - source voltage      |                                   | $\pm V_{G1/G2SM}$ | 6           | V                  |
| Total power dissipation             | $T_{amb} \leq 60^{\circ}\text{C}$ | $P_{tot}$         | 200         | mW                 |
| Channel temperature                 |                                   | $T_{Ch}$          | 150         | $^{\circ}\text{C}$ |
| Storage temperature range           |                                   | $T_{stg}$         | -55 to +150 | $^{\circ}\text{C}$ |

### Maximum Thermal Resistance

$T_{amb} = 25^{\circ}\text{C}$ , unless otherwise specified

| Parameter       | Test Conditions   | Symbol      | Value | Unit |
|-----------------|---|-------------|-------|------|
| Channel ambient | on glass fibre printed board (25 x 20 x 1.5) mm <sup>3</sup><br>plated with 35 $\mu\text{m}$ Cu | $R_{thChA}$ | 450   | K/W  |

### Electrical DC Characteristics

$T_{amb} = 25^{\circ}\text{C}$ , unless otherwise specified

| Parameter                         | Test Conditions   | Symbol             | Min | Typ | Max | Unit |
|-----------------------------------|---|--------------------|-----|-----|-----|------|
| Drain - source breakdown voltage  | $I_D = 10 \mu\text{A}$ , $V_{G1S} = V_{G2S} = 0$  | $V_{(BR)DSS}$      | 15  |     |     | V    |
| Gate 1 - source breakdown voltage | $\pm I_{G1S} = 10 \text{ mA}$ , $V_{G2S} = V_{DS} = 0$                                      | $\pm V_{(BR)G1SS}$ | 7   |     | 10  | V    |
| Gate 2 - source breakdown voltage | $\pm I_{G2S} = 10 \text{ mA}$ , $V_{G1S} = V_{DS} = 0$                                      | $\pm V_{(BR)G2SS}$ | 7   |     | 10  | V    |
| Gate 1 - source leakage current   | $+V_{G1S} = 5 \text{ V}$ , $V_{G2S} = V_{DS} = 0$   | $+I_{G1SS}$        |     |     | 20  | nA   |
| Gate 2 - source leakage current   | $\pm V_{G2S} = 5 \text{ V}$ , $V_{G1S} = V_{DS} = 0$  | $\pm I_{G2SS}$     |     |     | 20  | nA   |
| Drain - source operating current  | $V_{DS} = V_{RG1} = 5 \text{ V}$ , $V_{G2S} = 4 \text{ V}$ , $R_{G1} = 220 \text{ k}\Omega$ | $I_{DSO}$          | 7   | 10  | 14  | mA   |
| Gate 1 - source cut-off voltage   | $V_{DS} = 5 \text{ V}$ , $V_{G2S} = 4 \text{ V}$ , $I_D = 20 \mu\text{A}$                   | $V_{G1S(OFF)}$     | 0.4 |     | 1.2 | V    |
| Gate 2 - source cut-off voltage   | $V_{DS} = V_{RG1} = 5 \text{ V}$ , $R_{G1} = 220 \text{ k}\Omega$ , $I_D = 20 \mu\text{A}$  | $V_{G2S(OFF)}$     |     | 1.0 |     | V    |

### Remark on driving the MOSMIC and improving intermodulation behavior:

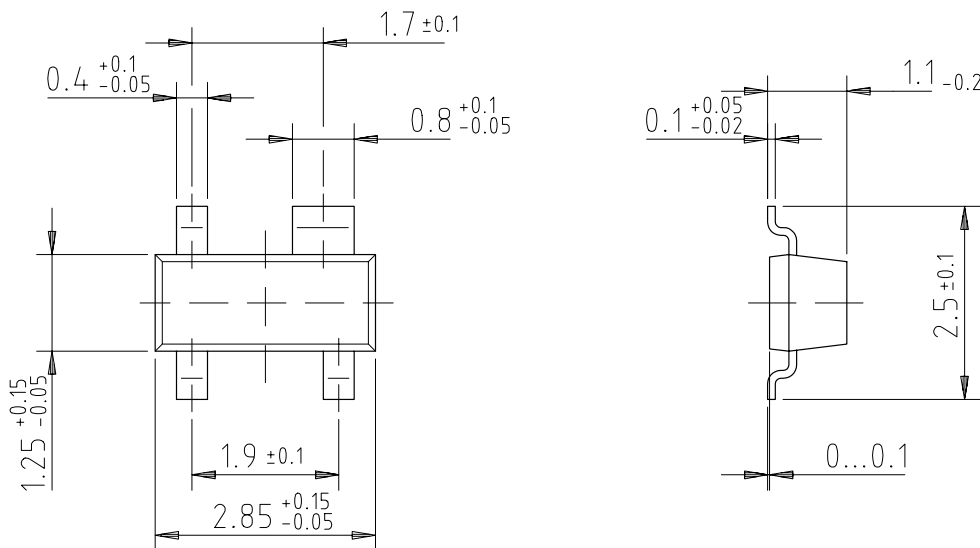
By setting  $R_{G1} = 150 \text{ k}\Omega$  typical value of  $I_{DSO}$  will raise up to 15 mA and improved intermodulation behavior will be performed.

## Electrical AC Characteristics

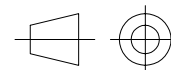
$V_{DS} = 5\text{ V}$ ,  $V_{G2S} = 4\text{ V}$ ,  $I_D = 13\text{ mA}$ ,  $f = 1\text{ MHz}$ ,  $T_{amb} = 25^\circ\text{C}$ , unless otherwise specified

| Parameter                | Test Conditions   | Symbol          | Min  | Typ | Max | Unit |
|--------------------------|---|-----------------|------|-----|-----|------|
| Forward transadmittance  |   | $ y_{21s} $     | 20   | 24  | 28  | mS   |
| Gate 1 input capacitance |   | $C_{issg1}$     |      | 2.1 | 2.5 | pF   |
| Feedback capacitance     |   | $C_{rss}$       |      | 20  |     | fF   |
| Output capacitance       |   | $C_{oss}$       |      | 0.9 |     | pF   |
| Power gain               | $G_S = 2\text{ mS}$ , $G_L = 0.5\text{ mS}$ , $f = 200\text{ MHz}$                | $G_{ps}$        |      | 26  |     | dB   |
|                          | $G_S = 3,3\text{ mS}$ , $G_L = 1\text{ mS}$ , $f = 800\text{ MHz}$                | $G_{ps}$        | 16.5 | 20  |     | dB   |
| AGC range                | $V_{DS} = 5\text{ V}$ , $V_{G2S} = 1\text{ to }4\text{ V}$ , $f = 800\text{ MHz}$ | $\Delta G_{ps}$ | 40   |     |     | dB   |
| Noise figure             | $G_S = 2\text{ mS}$ , $G_L = 0.5\text{ mS}$ , $f = 200\text{ MHz}$                | F               |      | 1   |     | dB   |
|                          | $G_S = 3,3\text{ mS}$ , $G_L = 1\text{ mS}$ , $f = 800\text{ MHz}$                | F               |      | 1.3 |     | dB   |

## Dimensions of S504T in mm

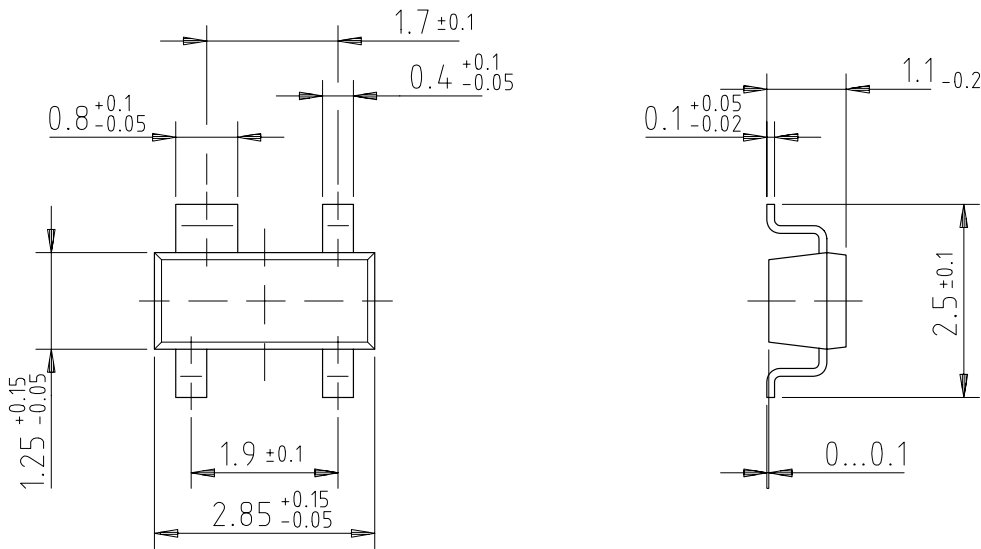


96 12240

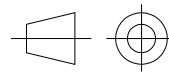


technical drawings  
according to DIN  
specifications

### Dimensions of S504TR in mm

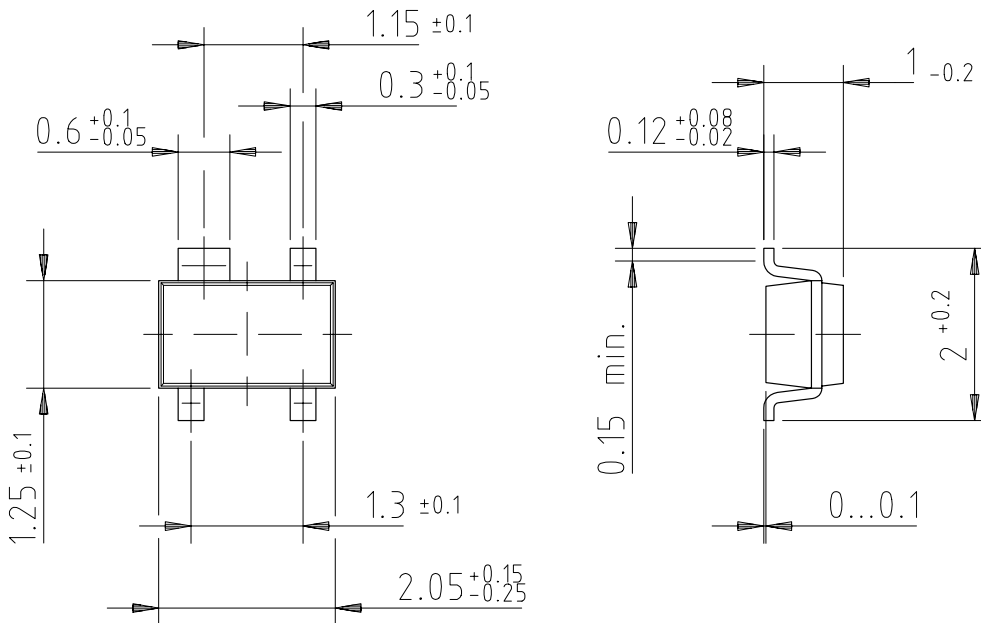


96 12239

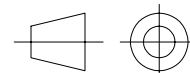


technical drawings  
according to DIN  
specifications

### Dimensions of S504TRW in mm



96 12238



technical drawings  
according to DIN  
specifications



## Ozone Depleting Substances Policy Statement

It is the policy of **Vishay Semiconductor GmbH** to

1. Meet all present and future national and international statutory requirements.
2. Regularly and continuously improve the performance of our products, processes, distribution and operating systems with respect to their impact on the health and safety of our employees and the public, as well as their impact on the environment.

It is particular concern to control or eliminate releases of those substances into the atmosphere which are known as ozone depleting substances (ODSs).

The Montreal Protocol (1987) and its London Amendments (1990) intend to severely restrict the use of ODSs and forbid their use within the next ten years. Various national and international initiatives are pressing for an earlier ban on these substances.

**Vishay Semiconductor GmbH** has been able to use its policy of continuous improvements to eliminate the use of ODSs listed in the following documents.

1. Annex A, B and list of transitional substances of the Montreal Protocol and the London Amendments respectively
2. Class I and II ozone depleting substances in the Clean Air Act Amendments of 1990 by the Environmental Protection Agency (EPA) in the USA
3. Council Decision 88/540/EEC and 91/690/EEC Annex A, B and C (transitional substances) respectively.

**Vishay Semiconductor GmbH** can certify that our semiconductors are not manufactured with ozone depleting substances and do not contain such substances.

**We reserve the right to make changes to improve technical design and may do so without further notice.**

Parameters can vary in different applications. All operating parameters must be validated for each customer application by the customer. Should the buyer use Vishay-Semiconductors products for any unintended or unauthorized application, the buyer shall indemnify Vishay-Semiconductors against all claims, costs, damages, and expenses, arising out of, directly or indirectly, any claim of personal damage, injury or death associated with such unintended or unauthorized use.

Vishay Semiconductor GmbH, P.O.B. 3535, D-74025 Heilbronn, Germany  
Telephone: 49 (0) 7131 67 2831, Fax number: 49 (0) 7131 67 2423