



SYNTON-TECH CORPORATION

RESISTOR NETWORKS

File No.:	SIP-02
Version:	B
Page:	1/13
Date:	2011.04.15

1. INTRODUCTION

Thick film resistor networks have Metal Glaze Element on the ceramic substrates with strong clip construction terminal, and are coated with special epoxy resin. They are the most suitable to meet the density of circuit assembling.

2. APPLICATION

- Control Circuits of V.T.R. Computer, facsimile, Car & Air-Conditioner.
- Color T.V. & Other Electronic equipments for Consumer use.

3. FEATURES

- Miniature, High Density Packaging.
- Combinations of Different Ohmic value are available.
- High Reliability with RuO₂ Paste.

APPROVED	CHECKED	DESIGNED	REMARK	DOCUMENT NO.
Carol	May	Chen	4/15 RE:P2	0201010022

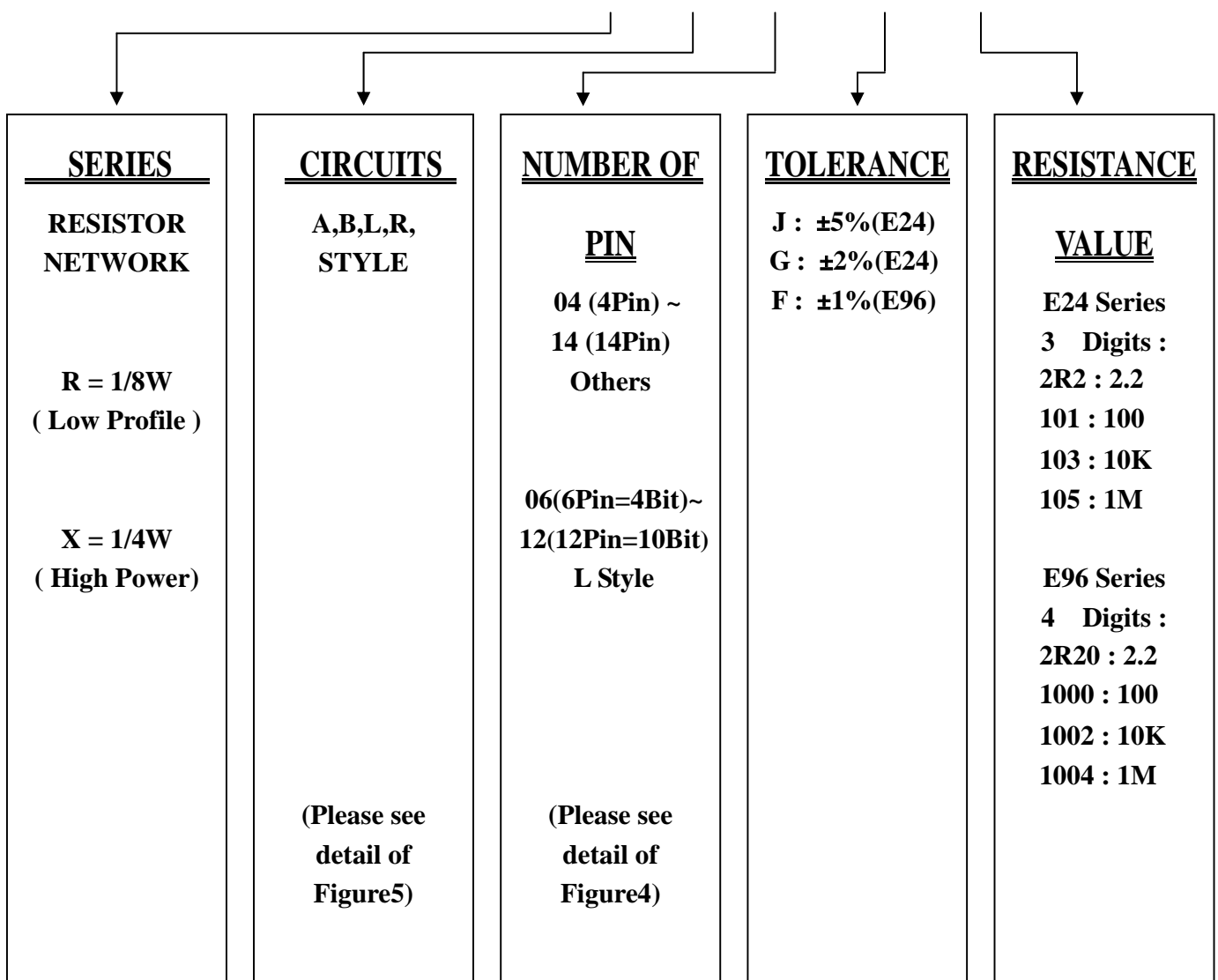
Confidential, Do Not Disseminate.



4. EXPLANATIONS OF ORDERING CODE

DESCRIPTION : RA 08 1/8W 5% 10K

SYNTON CODE : R A 08 J 103



1.



SYNTON-TECH CORPORATION

RESISTOR NETWORKS

File No.:	SIP-02
Version:	B
Page:	3/13
Date:	2011.04.15

5. RATING

Wattage/Element	R		X							
	All Style		All Style							
	0.125W		0.25W							
Resistance Range	E-12 Series (Please see detail of Figure2)									
Max. Working Voltage	100V					200V				
CIRCUITS	R Style	Resistance value	100Ω - 10K							
	L Style	Bit Errors	±1/2 LSB							
		Resistance value	5KΩ - 100K							
		Rated voltage	30mW/element							
		Working voltage	DC 20V Max.							
		BITS	4Bits	5Bits	6Bits	7Bits	8Bits	9Bits	10Bits	
	FSA(Max.)	3.12%	1.56%	0.78%	0.39%	0.2%	0.2%	0.2%		
Operating Temp. Range	-55 ~ +125									
T.C.R. (PPM/)	±100PPM 50 ohm ~ 2.2M ohm									
	±250PPM < 50 ohm or 2.2M ohm									

Figure1

E-12 SERIES

10	12	15	18	22	27	33	39	47	56	68	82
100	120	150	180	220	270	330	390	470	560	680	820
1K	1.2K	1.5K	1.8K	2.2K	2.7K	3.3K	3.9K	4.7K	5.6K	6.8K	8.2K
10K	12K	15K	18K	22K	27K	33K	39K	47K	56K	68K	82K
100K	120K	150K	180K	220K	270K	330K	390K	470K	560K	680K	820K
1M											

DUAL TERMINATORS (OHM)

*R STYLE(R1/R2)

160/240	330/390
180/390	330/470
220/270	1.5K/3.3K
220/330	3.0K/6.2K

*L STYLE(Standard)

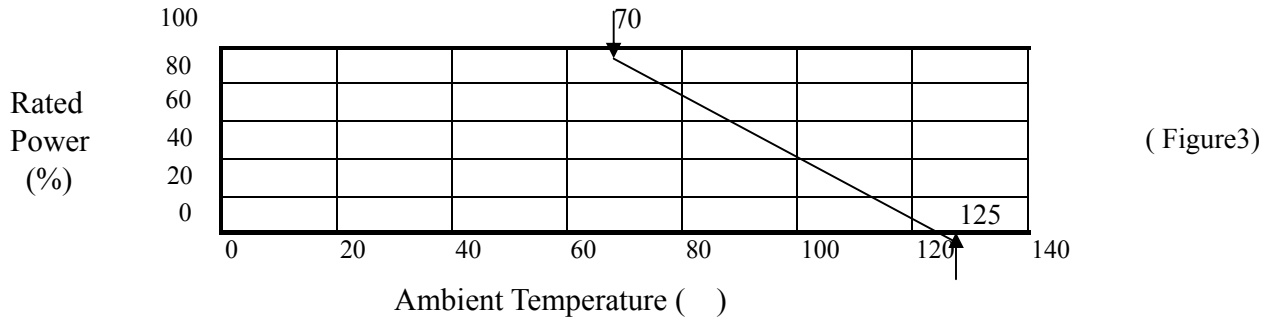
5KOhm - 10Kohm - 25Kohm - 50Kohm - 100KOhm

Figure2

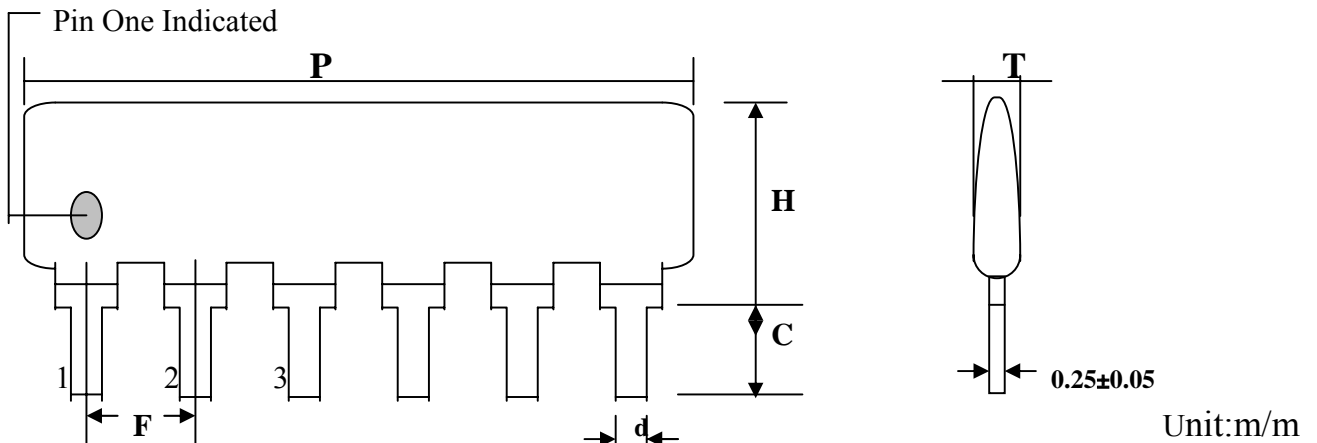


6. DERATING CURVE

The rated power at the temperature in excess of 70 shall be derated in accordance with figure3



7. DIMENSIONS



TYPE	L (BITS)	P (Max.)	H (Max.)			T (Max.)	C ±0.5	d ±0.05	F ±0.2
			R	L	X				
4pin		10.2	5.08	8	2.5	3.5	0.5	2.54	
5pin		12.7							
6pin	4BIT	15.3							
7pin	5BIT	17.8							
8pin	6BIT	20.4							
9pin	7BIT	22.9							
10pin	8BIT	25.4							
11pin	9BIT	28.0							
12pin	10BIT	30.5							
13pin		33.1							
14pin		35.6							

Figure4



8. CIRCUITS CONSTRUCTION

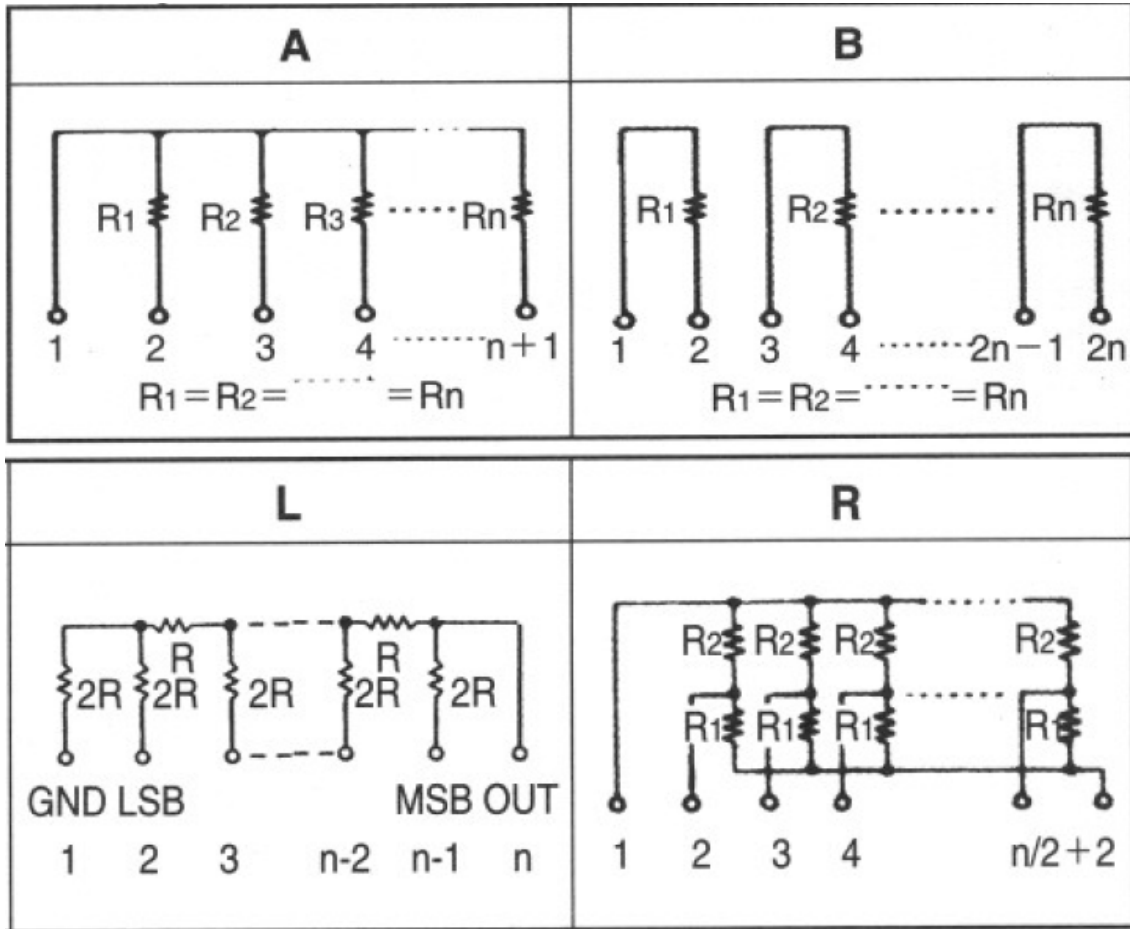


Figure5



9. CHARACTERISTICS

(1) Resistance Temperature Characteristic

Test Method : -55 ~ 125

Acceptance Standard : $\pm 100\text{ppm/}$ for 50 ohm ~2.2M

$\pm 250\text{ppm}$ for < 50 ohm $\geq 2.2\text{M}$

(2) Temperature Cycling

Test Method : -55 ~ +125 for 5 Cycle

Acceptance Standard : $R \leq \pm (0.5\% + 0.05)$

(3) Short-Time Overload

Test Method : Rated Voltage x 2.5 for 5 sec.

Acceptance Standard : $R \leq \pm (0.5\% + 0.05)$

(4) Resistance to Soldering Heat

Test Method : 350 for 3 sec.

Acceptance Standard : $R \leq \pm (0.5\% + 0.05)$

(5) Insulation Resistance

Test Method : 100V for 1 minute.

Acceptance Standard : 1,000 Meg ohm Min.

(6) Terminal Strength

Test Method : Tensile : 1Kg, 30 SEC. Bending : 500g, 2 Times

Acceptance Standard : $R \leq \pm (0.25\% + 0.05)$

(7) Thermal Shock

Test Method : Load V, Room Temp. 30 minute Unload, -55 ,

15 minute Over 2 hrs in Room Temp. before measuring

Acceptance Standard : $R \leq \pm (0.5\% + 0.05)$



SYNTON-TECH CORPORATION

RESISTOR NETWORKS

File No.:	SIP-02
Version:	B
Page:	7/13
Date:	2011.04.15

(8) Solderability

Test Method : 260 ± 5 , 3 sec.

Acceptance Standard : Covering 95%

(9) Moisture Load life

Test Method : 40 , 90-95% RH rated Voltage for 1000 hours.

Acceptance Standard : $R \leq \pm (2\%+0.05)$)

(10) Load Life

Test Method : 70 at Rated Voltage for 1000 hours.

Acceptance Standard : $R \leq \pm (2\%+0.05)$)



SYNTECH CORPORATION

RESISTOR NETWORKS

File No.:	SIP-02
Version:	B
Page:	8/13
Date:	2011.04.15



測試報告 Test Report

號碼(No.): CE/2010/80714A 日期(Date): 2010/12/20 頁數(Page): 1 of 6

欣統股份有限公司 / SYNTECH CORPORATION

(DONG GUAN PLANT)

台北縣汐止市新台五路一段79號16樓之3

16F-3, NO. 79, FAR EAST WORLD CENTER SEC. 1, HSIN TAI WU ROAD, HSI-CHIH TAIPEI COUNTY,

TAIWAN, R. O. C.

(SHUI KOU INDUSTRIAL ZONE, DA LANG, DONG GUAN, GUANG DONG, CHINA)

以下測試樣品係由客戶送樣，且由客戶聲稱並經客戶確認如下 (The following samples was/were submitted and identified by/on behalf of the client as):

樣品名稱(Sample Description) : RESISTOR NETWORK
 樣品型號(Style/Item No.) : SIP TYPE
 收件日期(Sample Receiving Date) : 2010/08/04
 測試期間(Testing Period) : 2010/08/04 TO 2010/08/11

測試需求(Test Requested) : 參照 RoHS 2002/95/EC 及其修定指令要求。(In accordance with the RoHS Directive 2002/95/EC, and its amendment directives).

測試方法(Test Method) : 參考IEC 62321: 2008方法檢測。(With reference to IEC 62321: 2008, Procedures for the Determination of Levels of Regulated Substances in Electrotechnical Products).

- (1) 以感應耦合電漿原子發射光譜儀檢測鎘含量。 / Determination of Cadmium by ICP-AES.
- (2) 以感應耦合電漿原子發射光譜儀檢測鉛含量。 / Determination of Lead by ICP-AES.
- (3) 以感應耦合電漿原子發射光譜儀檢測汞含量。 / Determination of Mercury by ICP-AES.
- (4) 以UV-VIS檢測六價鉻含量。 / Determination of Hexavalent Chromium by UV/Vis Spectrometry.
- (5) 以氣相層析儀/質譜儀檢測多溴聯苯和多溴聯苯醚含量。 / Determination of PBB and PBDE by GC/MS.

測試結果(Test Results) : 請見下一頁 (Please refer to next pages).


 Chenyu Kung / Operation Manager
 Signed for and on behalf of
 SGS TAIWAN LTD.
 Chemical Laboratory – Taipei

Unless otherwise stated the results shown in this test report refer only to the sample(s) tested. This test report cannot be reproduced, except in full, without prior written permission of the Company. 除非另有說明，此報告結果僅對測試之樣品負責。本報告未經本公司書面許可，不得部份複製。
 This document is issued by the Company subject to its General Conditions of Service printed overleaf, available on request or accessible at www.sgs.com/terms_and_conditions.htm and, for electronic format documents, subject to Terms and Conditions for Electronic Documents at www.sgs.com/terms_e-document.htm. Attention is drawn to the limitation of liability, indemnification and jurisdiction issues defined therein. Any holder of this document is advised that information contained hereon reflects the Company's findings at the time of its intervention only and within the limits of Client's instructions, if any. The Company's sole responsibility is to its Client and this document does not exonerate parties to a transaction from exercising all their rights and obligations under the transaction documents. This document cannot be reproduced except in full, without prior written approval of the Company. Any unauthorized alteration, forgery or falsification of the content or appearance of this document is unlawful and offenders may be prosecuted to the fullest extent of the law.

SGS Taiwan Ltd. No. 33, Wu Chyuan Road, Wuku Industrial Zone, Taipei County, Taiwan. / 台北縣五股工業區五權路33號
 台灣檢驗科技股份有限公司 ☎(886-2) 2299-3339 ☎(886-2) 2299-3237 www.tw.sgs.com

Member of SGS Group

TWA 4040547

1001



SYNTON-TECH CORPORATION

RESISTOR NETWORKS

File No.: SIP-02
Version: B
Page: 9/13
Date: 2011.04.15



測試報告 Test Report

號碼(No.): CE/2010/80714A 日期(Date): 2010/12/20 頁數(Page): 2 of 6

欣統股份有限公司 / SYNTON-TECH CORPORATION
(DONG GUAN PLANT)
台北縣汐止市新台五路一段79號16樓之3
16F-3, NO. 79, FAR EAST WORLD CENTER SEC. 1, HSIN TAI WU ROAD, HSI-CHIH TAIPEI COUNTY,
TAIWAN, R. O. C.
(SHUI KOU INDUSTRIAL ZONE, DA LANG, DONG GUAN, GUANG DONG, CHINA)



測試結果(Test Results) 單位(Unit): mg/kg

測試項目 (Test Items)	測試方法 Method (Refer to)	結果 (Result)	方法值測 極限值 (MDL)
		No.1	
鎘 / Cadmium (Cd)	(1)	n.d.	2
鉛 / Lead (Pb)	(2)	206	2
汞 / Mercury (Hg)	(3)	n.d.	2
六價鉻 / Hexavalent Chromium Cr(VI) by alkaline extraction	(4)	n.d.	2
多溴聯苯總和 / Sum of PBBs	(5)	n.d.	-
一溴聯苯 / Monobromobiphenyl		n.d.	5
二溴聯苯 / Dibromobiphenyl		n.d.	5
三溴聯苯 / Tribromobiphenyl		n.d.	5
四溴聯苯 / Tetrabromobiphenyl		n.d.	5
五溴聯苯 / Pentabromobiphenyl		n.d.	5
六溴聯苯 / Hexabromobiphenyl		n.d.	5
七溴聯苯 / Heptabromobiphenyl		n.d.	5
八溴聯苯 / Octabromobiphenyl		n.d.	5
九溴聯苯 / Nonabromobiphenyl		n.d.	5
十溴聯苯 / Decabromobiphenyl		n.d.	5
多溴聯苯醚總和 / Sum of PBDEs		n.d.	-
一溴聯苯醚 / Monobromodiphenyl ether		n.d.	5
二溴聯苯醚 / Dibromodiphenyl ether		n.d.	5
三溴聯苯醚 / Tribromodiphenyl ether		n.d.	5
四溴聯苯醚 / Tetrabromodiphenyl ether		n.d.	5
五溴聯苯醚 / Pentabromodiphenyl ether		n.d.	5
六溴聯苯醚 / Hexabromodiphenyl ether		n.d.	5
七溴聯苯醚 / Heptabromodiphenyl ether		n.d.	5
八溴聯苯醚 / Octabromodiphenyl ether		n.d.	5
九溴聯苯醚 / Nonabromodiphenyl ether	n.d.	5	
十溴聯苯醚 / Decabromodiphenyl ether	n.d.	5	

Unless otherwise stated the results shown in this test report refer only to the sample(s) tested. This test report cannot be reproduced, except in full, without prior written permission of the Company. 除非另有說明，此報告結果僅對測試之樣品負責。本報告未經本公司書面許可，不可部份複製。
This document is issued by the Company subject to its General Conditions of Service printed overleaf, available on request or accessible at www.sgs.com/terms_and_conditions.htm and, for electronic format documents, subject to Terms and Conditions for Electronic Documents at www.sgs.com/terms_e-document.htm. Attention is drawn to the limitation of liability, indemnification and jurisdiction issues defined therein. Any holder of this document is advised that information contained hereon reflects the Company's findings at the time of its intervention only and within the limits of Client's instructions, if any. The Company's sole responsibility is to its Client and this document does not exonerate parties to a transaction from exercising all their rights and obligations under the transaction documents. This document cannot be reproduced except in full, without prior written approval of the Company. Any unauthorized alteration, forgery or falsification of the content or appearance of this document is unlawful and offenders may be prosecuted to the fullest extent of the law.

TWA 4040548

SGS Taiwan Ltd. | No. 33, Wu Chyuan Road, Wuku Industrial Zone, Taipei County, Taiwan. / 台北縣五股工業區五權路33號
台灣檢驗科技股份有限公司 | t (886-2) 2289-3938 | f (886-2) 2299-3237 | www.tw.sgs.com

Member of SGS Group



SYNTECH CORPORATION

RESISTOR NETWORKS

File No.:	SIP-02
Version:	B
Page:	10/13
Date:	2011.04.15



測試報告 Test Report

號碼(No.): CE/2010/80714A 日期(Date): 2010/12/20 頁數(Page): 3 of 6

欣統股份有限公司 / SYNTECH CORPORATION

(DONG GUAN PLANT)

台北縣汐止市新台五路一段79號16樓之3

16F-3, NO. 79, FAR EAST WORLD CENTER SEC. 1, HSIN TAI WU ROAD, HSI-CHIH TAIPEI COUNTY, TAIWAN, R. O. C.

(SHUI KOU INDUSTRIAL ZONE, DA LANG, DONG GUAN, GUANG DONG, CHINA)



測試部位描述 (TEST PART DESCRIPTION):

No.1 : 整體混測 (MIXED ALL PARTS)

備註(Note):

1. mg/kg = ppm ; 0.1wt% = 1000ppm
2. n.d. = Not Detected (未檢出)
3. MDL = Method Detection Limit (方法偵測極限值)
4. "-" = Not Regulated (無規格值)
5. 樣品的測試是基於申請人要求混合測試，報告中的混合測試結果不代表其中個別單一材質的含量。
(The samples was/were analyzed on behalf of the applicant as mixing sample in one testing. The above results was/were only given as the informality value).

Unless otherwise stated the results shown in this test report refer only to the sample(s) tested. This test report cannot be reproduced, except in full, without prior written permission of the Company. 除非另有說明，此報告結果僅對測試之樣品負責。本報告未經本公司書面許可，不可部份複製。

This document is issued by the Company subject to its General Conditions of Service printed overleaf, available on request or accessible at www.sgs.com/terms_and_conditions.htm and, for electronic format documents, subject to Terms and Conditions for Electronic Documents at www.sgs.com/terms_e-document.htm. Attention is drawn to the limitation of liability, indemnification and jurisdiction issues defined therein. Any holder of this document is advised that information contained hereon reflects the Company's findings at the time of its intervention only and within the limits of Client's instructions, if any. The Company's sole responsibility is to its Client and this document does not exonerate parties to a transaction from exercising all their rights and obligations under the transaction documents. This document cannot be reproduced except in full, without prior written approval of the Company. Any unauthorized alteration, forgery or falsification of the content or appearance of this document is unlawful and offenders may be prosecuted to the fullest extent of the law.

SGS Taiwan Ltd. | No. 33, Wu Chyuan Road, Wuku Industrial Zone, Taipei County, Taiwan. / 台北縣五股工業區五權路33號
台灣檢驗科技股份有限公司 | ☎ (886-2) 2299-3939 ☎ (886-2) 2299-3277 www.tw.sgs.com

Member of SGS Group

TWA 4040549

1001



SYNTECH CORPORATION

RESISTOR NETWORKS

File No.: SIP-02
Version: B
Page: 11/13
Date: 2011.04.15



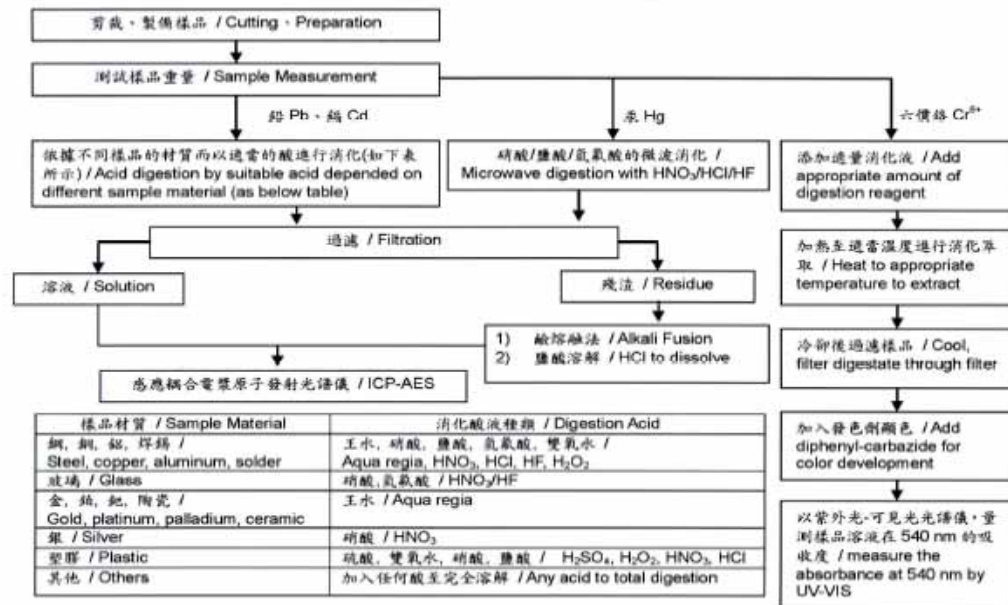
測試報告 Test Report

號碼(No.): CE/2010/80714A 日期(Date): 2010/12/20 頁數(Page): 4 of 6

欣統股份有限公司 / SYNTECH CORPORATION
(DONG GUAN PLANT)
台北縣汐止市新台五路一段79號16樓之3
16F-3, NO. 79, FAR EAST WORLD CENTER SEC. 1, HSIN TAI WU ROAD, HSI-CHIH TAIPEI COUNTY,
TAIWAN, R. O. C.
(SHUI KOU INDUSTRIAL ZONE, DA LANG, DONG GUAN, GUANG DONG, CHINA)



- 根據以下的流程圖之條件，樣品已完全溶解。(六價鉻測試方法除外) / These samples were dissolved totally by pre-conditioning method according to below flow chart. (Cr⁶⁺ test method excluded)
- 測試人員：楊登偉 / Name of the person who made measurement: Climbgreat Yang
- 測試負責人：張啓興 / Name of the person in charge of measurement: Troy Chang



Unless otherwise stated the results shown in this test report refer only to the sample(s) tested. This test report cannot be reproduced, except in full, without prior written permission of the Company. 除非另有說明，此報告結果僅對測試之樣品負責。本報告未經本公司書面許可，不可部份複製。
This document is issued by the Company subject to its General Conditions of Service printed overleaf, available on request or accessible at www.sgs.com/terms_and_conditions.htm and, for electronic format documents, subject to Terms and Conditions for Electronic Documents at www.sgs.com/terms_e-document.htm. Attention is drawn to the limitation of liability, indemnification and jurisdiction issues defined therein. Any holder of this document is advised that information contained herein reflects the Company's findings at the time of its intervention only and within the limits of Client's instructions, if any. The Company's sole responsibility is to its Client and this document does not exonerate parties to a transaction from exercising all their rights and obligations under the transaction documents. This document cannot be reproduced except in full, without prior written approval of the Company. Any unauthorized alteration, forgery or falsification of the content or appearance of this document is unlawful and offenders may be prosecuted to the fullest extent of the law.

SGS Taiwan Ltd. No. 33, Wu Chyuan Road, Wuku Industrial Zone, Taipei County, Taiwan. / 台北縣五股工業區五權路33號
台灣檢驗科技股份有限公司 (886-2) 2299-3939 (886-2) 2299-3237 www.tw.sgs.com

Member of SGS Group

TWA 4040550



SYNTON-TECH CORPORATION

RESISTOR NETWORKS

File No.:	SIP-02
Version:	B
Page:	12/13
Date:	2011.04.15



測試報告 Test Report

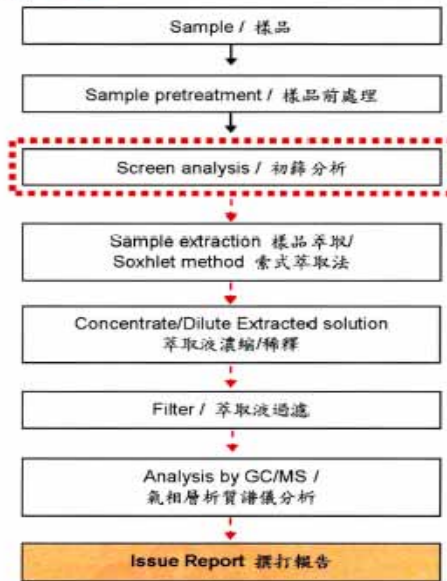
號碼(No.): CE/2010/80714A 日期(Date): 2010/12/20 頁數(Page): 5 of 6

欣統股份有限公司 / SYNTON-TECH CORPORATION
(DONG GUAN PLANT)
台北縣汐止市新台五路一段79號16樓之3
16F-3, NO. 79, FAR EAST WORLD CENTER SEC. 1, HSIN TAI WU ROAD, HSI-CHIH TAIPEI COUNTY,
TAIWAN, R. O. C.
(SHUI KOU INDUSTRIAL ZONE, DA LANG, DONG GUAN, GUANG DONG, CHINA)



多溴聯苯/多溴聯苯醚分析流程圖 / PBB/PBDE analytical FLOW CHART

- 1) 測試人員: 翁賜彬 / Name of the person who made measurement: Roman Wong
 - 2) 測試負責人: 張啓興 / Name of the person in charge of measurement: Troy Chang
- 初次測試程序 / First testing process →
選擇性篩檢程序 / Optional screen process
確認程序 / Confirmation process - - - - -



Unless otherwise stated the results shown in this test report refer only to the sample(s) tested. This test report cannot be reproduced, except in full, without prior written permission of the Company. 除非另有說明，此報告結果僅對測試之樣品負責。本報告未經本公司書面許可，不可部份複製。

This document is issued by the Company subject to its General Conditions of Service printed overleaf, available on request or accessible at www.sgs.com/terms_and_conditions.htm and, for electronic format documents, subject to Terms and Conditions for Electronic Documents at www.sgs.com/terms_e_documents.htm. Attention is drawn to the limitation of liability, indemnification and jurisdiction issues defined therein. Any holder of this document is advised that information contained hereon reflects the Company's findings at the time of its intervention only and within the limits of Client's instructions, if any. The Company's sole responsibility is to its Client and this document does not exonerate parties to a transaction from exercising all their rights and obligations under the transaction documents. This document cannot be reproduced except in full, without prior written approval of the Company. Any unauthorized alteration, forgery or falsification of the content or appearance of this document is unlawful and offenders may be prosecuted to the fullest extent of the law.

SGS Taiwan Ltd. | No. 33, Wu Chyuan Road, Wuku Industrial Zone, Taipei County, Taiwan. / 台北縣五股工業區五權路33號
台灣檢驗科技股份有限公司 | (886-2) 2299-3939 | (886-2) 2299-3237 | www.tw.sgs.com

Member of SGS Group

TWA 4040551

1001



SYNTECH CORPORATION

RESISTOR NETWORKS

File No.:	SIP-02
Version:	B
Page:	13/13
Date:	2011.04.15



測試報告 Test Report

號碼(No.): CE/2010/80714A 日期(Date): 2010/12/20 頁數(Page): 6 of 6

欣統股份有限公司 / SYNTECH CORPORATION
(DONG GUAN PLANT)
台北縣汐止市新台五路一段79號16樓之3
16F-3, NO. 79, FAR EAST WORLD CENTER SEC. 1, HSIN TAI WU ROAD, HSI-CHIH TAIPEI COUNTY,
TAIWAN, R. O. C.
(SHUI KOU INDUSTRIAL ZONE, DA LANG, DONG GUAN, GUANG DONG, CHINA)



** 報告結尾(End of Report) **

Unless otherwise stated the results shown in this test report refer only to the sample(s) tested. This test report cannot be reproduced, except in full, without prior written permission of the Company. 除非另有說明，此報告結果僅針對測試之樣品負責，未經本公司書面許可，不得翻印或複製。
This document is issued by the Company subject to its General Conditions of Service printed overleaf, available on request or accessible at www.sgs.com/terms_and_conditions.htm and, for electronic format documents, subject to Terms and Conditions for Electronic Documents at www.sgs.com/terms_e-document.htm. Attention is drawn to the limitation of liability, indemnification and jurisdiction issues defined therein. Any holder of this document is advised that information contained hereon reflects the Company's findings at the time of its intervention only and within the limits of Client's instructions, if any. The Company's sole responsibility is to its Client and this document does not exonerate parties to a transaction from exercising all their rights and obligations under the transaction documents. This document cannot be reproduced except in full, without prior written approval of the Company. Any unauthorized alteration, forgery or falsification of the content or appearance of this document is unlawful and offenders may be prosecuted to the fullest extent of the law.

SGS Taiwan Ltd. | No. 33, Wu Chyuan Road, Wuku Industrial Zone, Taipei County, Taiwan. / 台北縣五股工業區五權路33號
台灣檢驗科技股份有限公司 | ☎ (886-2) 2299-3839 | ☎ (886-2) 2299-3237 | www.tw.sgs.com

Member of SGS Group

TWA 4040552

1001