



element14

---

**EN** - For pricing and availability in your local country please visit one of the below links:

**DE** - Informationen zu Preisen und Verfügbarkeit in Ihrem Land erhalten Sie über die unten aufgeführten Links:

**FR** - Pour connaître les tarifs et la disponibilité dans votre pays, cliquez sur l'un des liens suivants:

[ABI-009-RC](#)

**EN**  
This Datasheet is presented by  
the manufacturer

**DE**  
Dieses Datenblatt wird vom  
Hersteller bereitgestellt

**FR**  
Cette fiche technique est  
présentée par le fabricant

RoHS  
Compliant



## Features

- Black in colour
- With internal drive circuit
- Sealed structure
- Wave solderable and washable
- Housing material: Noryl

## Applications

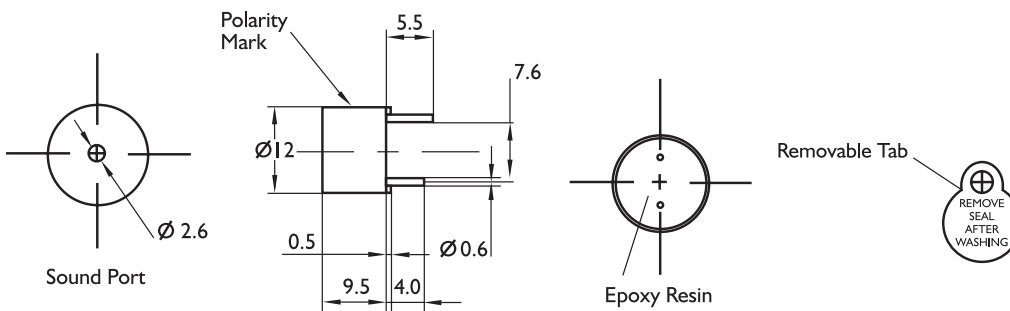
- Computer and peripherals
- Communications equipment
- Portable equipment
- Automobile electronics
- POS system
- Electronic cash register

## Specifications:

Rated Voltage	: 6V DC
Operating Voltage	: 4 to 8V DC
Rated Current*	: ≤30mA
Sound Output at 10cm*	: ≥85dB
Resonant Frequency	: 2300 ±300Hz
Tone	: Continuous
Operating Temperature	: -25°C to +80°C
Storage Temperature	: -30°C to +85°C
Weight	: 2g

\*Value applying at rated voltage (DC)

## Diagram



Dimensions : Millimetres  
Tolerance : ±0.5mm

## Part Number Table

Description	Part Number
Buzzer, Electromech, 6V DC	ABI-009-RC

**Important Notice** : This data sheet and its contents (the "Information") belong to the members of the Premier Farnell group of companies (the "Group") or are licensed to it. No licence is granted for the use of it other than for information purposes in connection with the products to which it relates. No licence of any intellectual property rights is granted. The Information is subject to change without notice and replaces all data sheets previously supplied. The Information supplied is believed to be accurate but the Group assumes no responsibility for its accuracy or completeness, any error in or omission from it or for any use made of it. Users of this data sheet should check for themselves the Information and the suitability of the products for their purpose and not make any assumptions based on information included or omitted. Liability for loss or damage resulting from any reliance on the Information or use of it (including liability resulting from negligence or where the Group was aware of the possibility of such loss or damage arising) is excluded. This will not operate to limit or restrict the Group's liability for death or personal injury resulting from its negligence. pro-SIGNAL is the registered trademark of the Group. © Premier Farnell plc 2012.



element14

---

**EN** - For pricing and availability in your local country please visit one of the below links:

**DE** - Informationen zu Preisen und Verfügbarkeit in Ihrem Land erhalten Sie über die unten aufgeführten Links:

**FR** - Pour connaître les tarifs et la disponibilité dans votre pays, cliquez sur l'un des liens suivants:

[ABI-009-RC](#)

**EN**  
This Datasheet is presented by  
the manufacturer

**DE**  
Dieses Datenblatt wird vom  
Hersteller bereitgestellt

**FR**  
Cette fiche technique est  
présentée par le fabricant