

## 800mA Low-Dropout Linear Regulator

### General Description

The LM1117 is a series of low dropout voltage regulators with a dropout of 1.2V at 800mA of load current. It has the same pin-out as National Semiconductor's industry standard LM317.

The LM1117 is available in an adjustable version, which can set the output voltage from 1.25V to 13.8V with only two external resistors. In addition, it is also available in five fixed voltages, 1.8V, 2.5V, 2.85V, 3.3V, and 5V.

The LM1117 offers current limiting and thermal shutdown. Its circuit includes a zener trimmed bandgap reference to assure output voltage accuracy to within  $\pm 1\%$ .

The LM1117 series is available in LLP, TO-263, SOT-223, TO-220, and TO-252 D-PAK packages. A minimum of 10 $\mu$ F tantalum capacitor is required at the output to improve the transient response and stability.

### Features

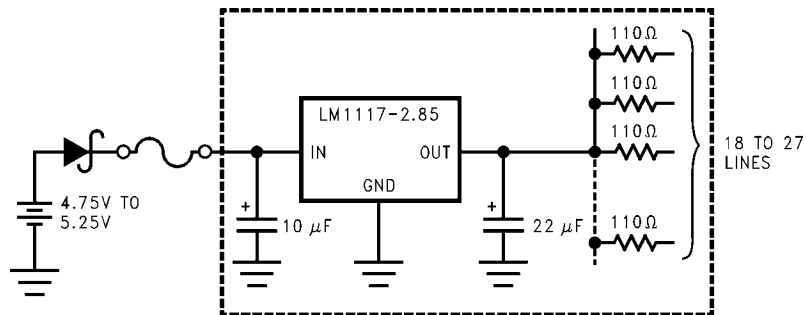
- Available in 1.8V, 2.5V, 2.85V, 3.3V, 5V, and Adjustable Versions
- Space Saving SOT-223 and LLP Packages
- Current Limiting and Thermal Protection
- Output Current 800mA
- Line Regulation 0.2% (Max)
- Load Regulation 0.4% (Max)
- Temperature Range
  - LM1117 0°C to 125°C
  - LM1117I -40°C to 125°C

### Applications

- 2.85V Model for SCSI-2 Active Termination
- Post Regulator for Switching DC/DC Converter
- High Efficiency Linear Regulators
- Battery Charger
- Battery Powered Instrumentation

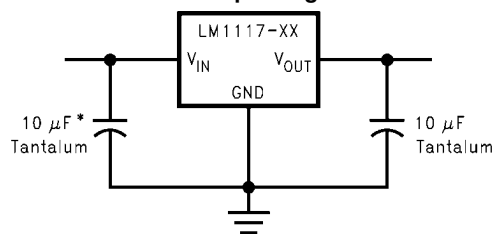
### Typical Application

#### Active Terminator for SCSI-2 Bus



10091905

#### Fixed Output Regulator



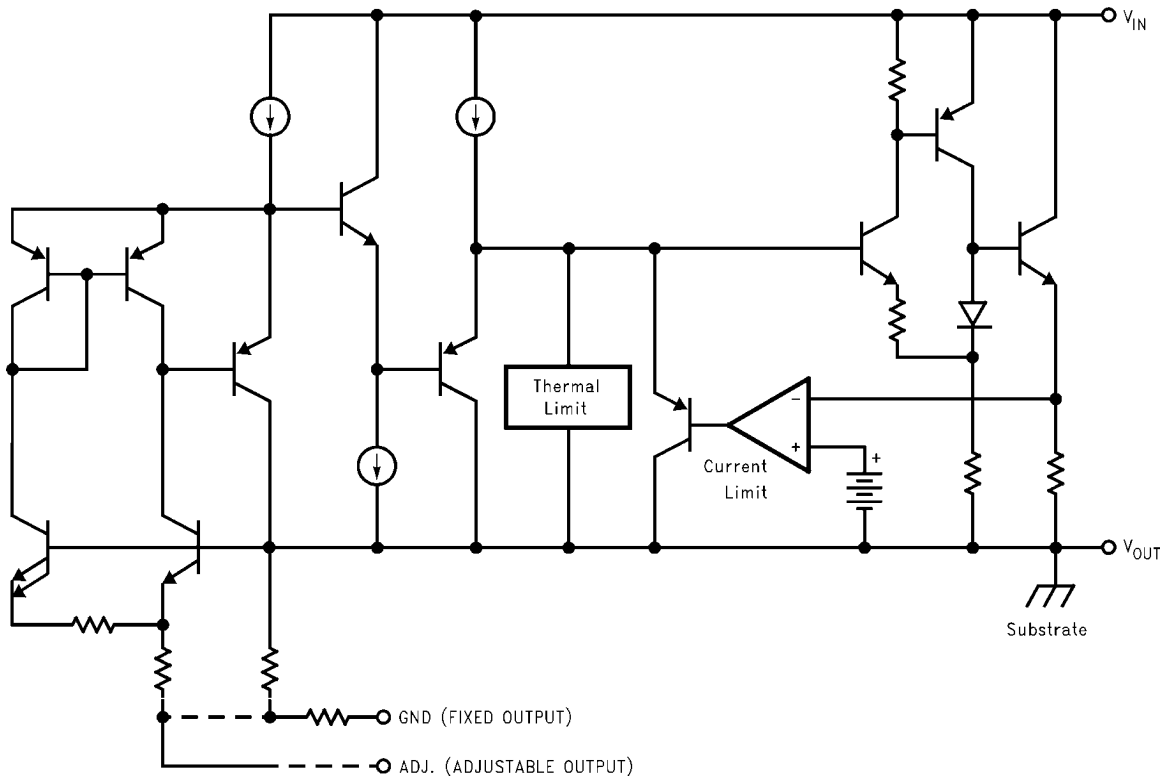
\* Required if the regulator is located far from the power supply filter.

10091928

## Ordering Information

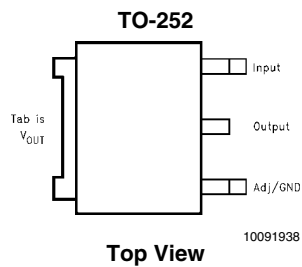
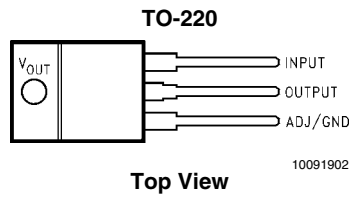
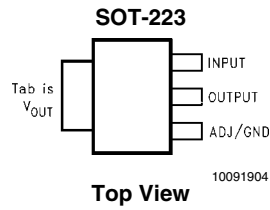
Package	Temperature Range	Part Number	Packaging Marking	Transport Media	NSC Drawing
3-lead SOT-223	0°C to +125°C	LM1117MPX-ADJ	N03A	Tape and Reel	MP04A
		LM1117MPX-2.5	N13A	Tape and Reel	
		LM1117MPX-2.85	N04A	Tape and Reel	
		LM1117MPX-3.3	N05A	Tape and Reel	
		LM1117MPX-5.0	N06A	Tape and Reel	
	-40°C to +125°C	LM1117IMPX-ADJ	N03B	Tape and Reel	
		LM1117IMPX-3.3	N05B	Tape and Reel	
		LM1117IMPX-5.0	N06B	Tape and Reel	
	3-lead TO-220	0°C to +125°C	LM1117T-ADJ	LM1117T-ADJ	
LM1117T-1.8			LM1117T-1.8	Rails	
LM1117T-2.5			LM1117T-2.5	Rails	
LM1117T-3.3			LM1117T-3.3	Rails	
LM1117T-5.0			LM1117T-5.0	Rails	
3-lead TO-252	0°C to +125°C	LM1117DTX-ADJ	LM1117DT-ADJ	Tape and Reel	TD03B
		LM1117DTX-1.8	LM1117DT-1.8	Tape and Reel	
		LM1117DTX-2.5	LM1117DT-2.5	Tape and Reel	
		LM1117DTX-3.3	LM1117DT-3.3	Tape and Reel	
		LM1117DTX-5.0	LM1117DT-5.0	Tape and Reel	
	-40°C to +125°C	LM1117IDTX-ADJ	LM1117IDT-ADJ	Tape and Reel	
		LM1117IDTX-3.3	LM1117IDT-3.3	Tape and Reel	
		LM1117IDTX-5.0	LM1117IDT-5.0	Tape and Reel	
	8-lead LLP	0°C to +125°C	LM1117LDX-ADJ	1117ADJ	
LM1117LDX-1.8			1117-18	Tape and Reel	
LM1117LDX-5.0			1117-50	Tape and Reel	
-40°C to 125°C		LM1117ILDY-ADJ	1117IAD	Tape and Reel	
		LM1117ILDY-3.3	1117I33	Tape and Reel	
		LM1117ILDY-5.0	1117I50	Tape and Reel	
TO-263	0°C to +125°C	LM1117SX-ADJ	LM1117SADJ	Tape and Reel	TS3B
		LM1117SX-3.3	LM1117S3.3	Tape and Reel	
		LM1117SX-5.0	LM1117S5.0	Tape and Reel	

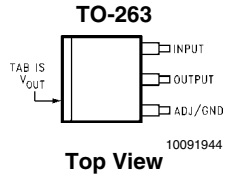
## Block Diagram



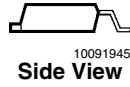
10091901

## Connection Diagrams

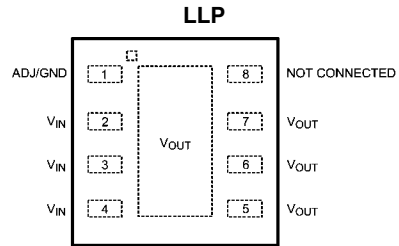




**Top View**



**Side View**



**Top View**

When using the LLP package  
 Pins 2, 3 & 4 must be connected together and  
 Pins 5, 6 & 7 must be connected together

## Absolute Maximum Ratings *(Note 1)*

If Military/Aerospace specified devices are required, please contact the Texas Instruments Sales Office/ Distributors for availability and specifications.

Maximum Input Voltage ( $V_{IN}$ to GND)	20V
Power Dissipation <i>(Note 2)</i>	Internally Limited
Junction Temperature ( $T_J$ ) <i>(Note 2)</i>	150°C
Storage Temperature Range	-65°C to 150°C
Lead Temperature	
TO-220 (T) Package	260°C, 10 sec
SOT-223 (IMP) Package	260°C, 4 sec
ESD Tolerance <i>(Note 3)</i>	2000V

## Operating Ratings *(Note 1)*

Input Voltage ( $V_{IN}$ to GND)	15V
Junction Temperature Range ( $T_J$ ) <i>(Note 2)</i>	
LM1117	0°C to 125°C
LM1117I	-40°C to 125°C

## LM1117 Electrical Characteristics

Typicals and limits appearing in normal type apply for  $T_J = 25^\circ\text{C}$ . Limits appearing in **Boldface** type apply over the entire junction temperature range for operation, 0°C to 125°C.

Symbol	Parameter	Conditions	Min <i>(Note 5)</i>	Typ <i>(Note 4)</i>	Max <i>(Note 5)</i>	Units
$V_{REF}$	Reference Voltage	LM1117-ADJ $I_{OUT} = 10\text{mA}$ , $V_{IN}-V_{OUT} = 2\text{V}$ , $T_J = 25^\circ\text{C}$	1.238	1.250	1.262	V
		$10\text{mA} \leq I_{OUT} \leq 800\text{mA}$ , $1.4\text{V} \leq V_{IN}-V_{OUT} \leq 10\text{V}$	<b>1.225</b>	1.250	<b>1.270</b>	V
$V_{OUT}$	Output Voltage	LM1117-1.8 $I_{OUT} = 10\text{mA}$ , $V_{IN} = 3.8\text{V}$ , $T_J = 25^\circ\text{C}$	1.782	1.800	1.818	V
		$0 \leq I_{OUT} \leq 800\text{mA}$ , $3.2\text{V} \leq V_{IN} \leq 10\text{V}$	<b>1.746</b>	1.800	<b>1.854</b>	V
		LM1117-2.5 $I_{OUT} = 10\text{mA}$ , $V_{IN} = 4.5\text{V}$ , $T_J = 25^\circ\text{C}$	2.475	2.500	2.525	V
		$0 \leq I_{OUT} \leq 800\text{mA}$ , $3.9\text{V} \leq V_{IN} \leq 10\text{V}$	<b>2.450</b>	2.500	<b>2.550</b>	V
		LM1117-2.85 $I_{OUT} = 10\text{mA}$ , $V_{IN} = 4.85\text{V}$ , $T_J = 25^\circ\text{C}$	2.820	2.850	2.880	V
		$0 \leq I_{OUT} \leq 800\text{mA}$ , $4.25\text{V} \leq V_{IN} \leq 10\text{V}$	<b>2.790</b>	2.850	<b>2.910</b>	V
		$0 \leq I_{OUT} \leq 500\text{mA}$ , $V_{IN} = 4.10\text{V}$	<b>2.790</b>	2.850	<b>2.910</b>	V
		LM1117-3.3 $I_{OUT} = 10\text{mA}$ , $V_{IN} = 5\text{V}$ , $T_J = 25^\circ\text{C}$	3.267	3.300	3.333	V
		$0 \leq I_{OUT} \leq 800\text{mA}$ , $4.75\text{V} \leq V_{IN} \leq 10\text{V}$	<b>3.235</b>	3.300	<b>3.365</b>	V
		LM1117-5.0 $I_{OUT} = 10\text{mA}$ , $V_{IN} = 7\text{V}$ , $T_J = 25^\circ\text{C}$	4.950	5.000	5.050	V
		$0 \leq I_{OUT} \leq 800\text{mA}$ , $6.5\text{V} \leq V_{IN} \leq 12\text{V}$	<b>4.900</b>	5.000	<b>5.100</b>	V

Symbol	Parameter	Conditions	Min (Note 5)	Typ (Note 4)	Max (Note 5)	Units
$\Delta V_{OUT}$	Line Regulation (Note 6)	LM1117-ADJ $I_{OUT} = 10\text{mA}$ , $1.5\text{V} \leq V_{IN} - V_{OUT} \leq 13.75\text{V}$		0.035	<b>0.2</b>	%
		LM1117-1.8 $I_{OUT} = 0\text{mA}$ , $3.2\text{V} \leq V_{IN} \leq 10\text{V}$		1	<b>6</b>	mV
		LM1117-2.5 $I_{OUT} = 0\text{mA}$ , $3.9\text{V} \leq V_{IN} \leq 10\text{V}$		1	<b>6</b>	mV
		LM1117-2.85 $I_{OUT} = 0\text{mA}$ , $4.25\text{V} \leq V_{IN} \leq 10\text{V}$		1	<b>6</b>	mV
		LM1117-3.3 $I_{OUT} = 0\text{mA}$ , $4.75\text{V} \leq V_{IN} \leq 15\text{V}$		1	<b>6</b>	mV
		LM1117-5.0 $I_{OUT} = 0\text{mA}$ , $6.5\text{V} \leq V_{IN} \leq 15\text{V}$		1	<b>10</b>	mV
		$\Delta V_{OUT}$	Load Regulation (Note 6)	LM1117-ADJ $V_{IN} - V_{OUT} = 3\text{V}$ , $10 \leq I_{OUT} \leq 800\text{mA}$		0.2
LM1117-1.8 $V_{IN} = 3.2\text{V}$ , $0 \leq I_{OUT} \leq 800\text{mA}$				1	<b>10</b>	mV
LM1117-2.5 $V_{IN} = 3.9\text{V}$ , $0 \leq I_{OUT} \leq 800\text{mA}$				1	<b>10</b>	mV
LM1117-2.85 $V_{IN} = 4.25\text{V}$ , $0 \leq I_{OUT} \leq 800\text{mA}$				1	<b>10</b>	mV
LM1117-3.3 $V_{IN} = 4.75\text{V}$ , $0 \leq I_{OUT} \leq 800\text{mA}$				1	<b>10</b>	mV
LM1117-5.0 $V_{IN} = 6.5\text{V}$ , $0 \leq I_{OUT} \leq 800\text{mA}$				1	<b>15</b>	mV
$V_{IN} - V_{OUT}$	Dropout Voltage (Note 7)			$I_{OUT} = 100\text{mA}$		1.10
		$I_{OUT} = 500\text{mA}$		1.15	<b>1.25</b>	V
		$I_{OUT} = 800\text{mA}$		1.20	<b>1.30</b>	V
$I_{LIMIT}$	Current Limit	$V_{IN} - V_{OUT} = 5\text{V}$ , $T_J = 25^\circ\text{C}$	800	1200	1500	mA
	Minimum Load Current (Note 8)	LM1117-ADJ $V_{IN} = 15\text{V}$		1.7	<b>5</b>	mA
		LM1117-1.8 $V_{IN} \leq 15\text{V}$		5	<b>10</b>	mA
	Quiescent Current	LM1117-2.5 $V_{IN} \leq 15\text{V}$		5	<b>10</b>	mA
		LM1117-2.85 $V_{IN} \leq 10\text{V}$		5	<b>10</b>	mA
		LM1117-3.3 $V_{IN} \leq 15\text{V}$		5	<b>10</b>	mA
		LM1117-5.0 $V_{IN} \leq 15\text{V}$		5	<b>10</b>	mA
	Thermal Regulation	$T_A = 25^\circ\text{C}$ , 30ms Pulse		0.01	0.1	%/W
	Ripple Regulation	$f_{RIPPLE} = 1\text{ 20Hz}$ , $V_{IN} - V_{OUT} = 3\text{V}$ , $V_{RIPPLE} = 1\text{V}_{PP}$	<b>60</b>	75		dB
	Adjust Pin Current			60	<b>120</b>	$\mu\text{A}$
Adjust Pin Current Change	$10 \leq I_{OUT} \leq 800\text{mA}$ , $1.4\text{V} \leq V_{IN} - V_{OUT} \leq 10\text{V}$		0.2	<b>5</b>	$\mu\text{A}$	
Temperature Stability			0.5		%	
Long Term Stability	$T_A = 125^\circ\text{C}$ , 1000Hrs		0.3		%	

Symbol	Parameter	Conditions	Min (Note 5)	Typ (Note 4)	Max (Note 5)	Units
	RMS Output Noise	(% of $V_{OUT}$ ), 10Hz $\leq f \leq$ 10kHz		0.003		%
	Thermal Resistance Junction-to-Case	3-Lead SOT-223		15.0		$^{\circ}\text{C}/\text{W}$
		3-Lead TO-220		3.0		$^{\circ}\text{C}/\text{W}$
		3-Lead TO-252		10		$^{\circ}\text{C}/\text{W}$
	Thermal Resistance Junction-to-Ambient (No air flow)	3-Lead SOT-223 (No heat sink)		136		$^{\circ}\text{C}/\text{W}$
		3-Lead TO-220 (No heat sink)		79		$^{\circ}\text{C}/\text{W}$
		3-Lead TO-252 (Note 9) (No heat sink)		92		$^{\circ}\text{C}/\text{W}$
		3-Lead TO-263		55		$^{\circ}\text{C}/\text{W}$
		8-Lead LLP (Note 10)		40		$^{\circ}\text{C}/\text{W}$

## LM1117I Electrical Characteristics

Typicals and limits appearing in normal type apply for  $T_J = 25^{\circ}\text{C}$ . Limits appearing in **Boldface** type apply over the entire junction temperature range for operation,  $-40^{\circ}\text{C}$  to  $125^{\circ}\text{C}$ .

Symbol	Parameter	Conditions	Min (Note 5)	Typ (Note 4)	Max (Note 5)	Units
$V_{REF}$	Reference Voltage	LM1117I-ADJ $I_{OUT} = 10\text{mA}$ , $V_{IN} - V_{OUT} = 2\text{V}$ , $T_J = 25^{\circ}\text{C}$	1.238	1.250	1.262	V
		$10\text{mA} \leq I_{OUT} \leq 800\text{mA}$ , $1.4\text{V} \leq V_{IN} - V_{OUT} \leq 10\text{V}$	<b>1.200</b>	1.250	<b>1.290</b>	V
$V_{OUT}$	Output Voltage	LM1117I-3.3 $I_{OUT} = 10\text{mA}$ , $V_{IN} = 5\text{V}$ , $T_J = 25^{\circ}\text{C}$	3.267	3.300	3.333	V
		$0 \leq I_{OUT} \leq 800\text{mA}$ , $4.75\text{V} \leq V_{IN} \leq 10\text{V}$	<b>3.168</b>	3.300	<b>3.432</b>	V
		LM1117I-5.0 $I_{OUT} = 10\text{mA}$ , $V_{IN} = 7\text{V}$ , $T_J = 25^{\circ}\text{C}$	4.950	5.000	5.050	V
		$0 \leq I_{OUT} \leq 800\text{mA}$ , $6.5\text{V} \leq V_{IN} \leq 12\text{V}$	<b>4.800</b>	5.000	<b>5.200</b>	V
$\Delta V_{OUT}$	Line Regulation (Note 6)	LM1117I-ADJ $I_{OUT} = 10\text{mA}$ , $1.5\text{V} \leq V_{IN} - V_{OUT} \leq 13.75\text{V}$		0.035	<b>0.3</b>	%
		LM1117I-3.3 $I_{OUT} = 0\text{mA}$ , $4.75\text{V} \leq V_{IN} \leq 15\text{V}$		1	<b>10</b>	mV
		LM1117I-5.0 $I_{OUT} = 0\text{mA}$ , $6.5\text{V} \leq V_{IN} \leq 15\text{V}$		1	<b>15</b>	mV
$\Delta V_{OUT}$	Load Regulation (Note 6)	LM1117I-ADJ $V_{IN} - V_{OUT} = 3\text{V}$ , $10 \leq I_{OUT} \leq 800\text{mA}$		0.2	<b>0.5</b>	%
		LM1117I-3.3 $V_{IN} = 4.75\text{V}$ , $0 \leq I_{OUT} \leq 800\text{mA}$		1	<b>15</b>	mV
		LM1117I-5.0 $V_{IN} = 6.5\text{V}$ , $0 \leq I_{OUT} \leq 800\text{mA}$		1	<b>20</b>	mV
$V_{IN} - V_{OUT}$	Dropout Voltage (Note 7)	$I_{OUT} = 100\text{mA}$		1.10	<b>1.30</b>	V
		$I_{OUT} = 500\text{mA}$		1.15	<b>1.35</b>	V
		$I_{OUT} = 800\text{mA}$		1.20	<b>1.40</b>	V
$I_{LIMIT}$	Current Limit	$V_{IN} - V_{OUT} = 5\text{V}$ , $T_J = 25^{\circ}\text{C}$	800	1200	1500	mA
		LM1117I-ADJ $V_{IN} = 15\text{V}$		1.7	<b>5</b>	mA
	Quiescent Current	LM1117I-3.3 $V_{IN} \leq 15\text{V}$		5	<b>15</b>	mA
		LM1117I-5.0 $V_{IN} \leq 15\text{V}$		5	<b>15</b>	mA
	Thermal Regulation	$T_A = 25^{\circ}\text{C}$ , 30ms Pulse		0.01	0.1	%/W

Symbol	Parameter	Conditions	Min ( <i>Note 5</i> )	Typ ( <i>Note 4</i> )	Max ( <i>Note 5</i> )	Units
	Ripple Regulation	$f_{\text{RIPPLE}} = 1 \text{ 20Hz}$ , $V_{\text{IN}} - V_{\text{OUT}} = 3\text{V}$ $V_{\text{RIPPLE}} = 1V_{\text{PP}}$	<b>60</b>	75		dB
	Adjust Pin Current			60	<b>120</b>	$\mu\text{A}$
	Adjust Pin Current Change	$10 \leq I_{\text{OUT}} \leq 800\text{mA}$ , $1.4\text{V} \leq V_{\text{IN}} - V_{\text{OUT}} \leq 10\text{V}$		0.2	<b>10</b>	$\mu\text{A}$
	Temperature Stability			0.5		%
	Long Term Stability	$T_{\text{A}} = 125^{\circ}\text{C}$ , 1000Hrs		0.3		%
	RMS Output Noise	(% of $V_{\text{OUT}}$ ), $10\text{Hz} \leq f \leq 10\text{kHz}$		0.003		%
	Thermal Resistance Junction-to-Case	3-Lead SOT-223		15.0		$^{\circ}\text{C}/\text{W}$
		3-Lead TO-252		10		$^{\circ}\text{C}/\text{W}$
	Thermal Resistance Junction-to-Ambient No air flow)	3-Lead SOT-223 (No heat sink)		136		$^{\circ}\text{C}/\text{W}$
		3-Lead TO-252 (No heat sink)( <i>Note 9</i> )		92		$^{\circ}\text{C}/\text{W}$
		8-Lead LLP( <i>Note 10</i> )		40		$^{\circ}\text{C}/\text{W}$

**Note 1:** Absolute Maximum Ratings indicate limits beyond which damage to the device may occur. Operating Ratings indicate conditions for which the device is intended to be functional, but specific performance is not guaranteed. For guaranteed specifications and the test conditions, see the Electrical Characteristics.

**Note 2:** The maximum power dissipation is a function of  $T_{\text{J(max)}}$ ,  $\theta_{\text{JA}}$ , and  $T_{\text{A}}$ . The maximum allowable power dissipation at any ambient temperature is  $P_{\text{D}} = (T_{\text{J(max)}} - T_{\text{A}}) / \theta_{\text{JA}}$ . All numbers apply for packages soldered directly into a PC board.

**Note 3:** For testing purposes, ESD was applied using human body model,  $1.5\text{k}\Omega$  in series with  $100\text{pF}$ .

**Note 4:** Typical Values represent the most likely parametric norm.

**Note 5:** All limits are guaranteed by testing or statistical analysis.

**Note 6:** Load and line regulation are measured at constant junction room temperature.

**Note 7:** The dropout voltage is the input/output differential at which the circuit ceases to regulate against further reduction in input voltage. It is measured when the output voltage has dropped  $100\text{mV}$  from the nominal value obtained at  $V_{\text{IN}} = V_{\text{OUT}} + 1.5\text{V}$ .

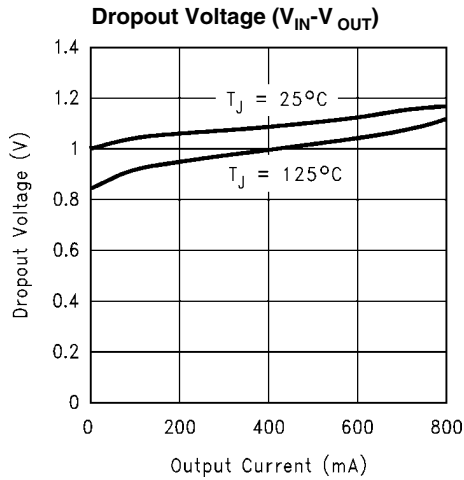
**Note 8:** The minimum output current required to maintain regulation.

**Note 9:** Minimum pad size of  $0.038\text{in}^2$

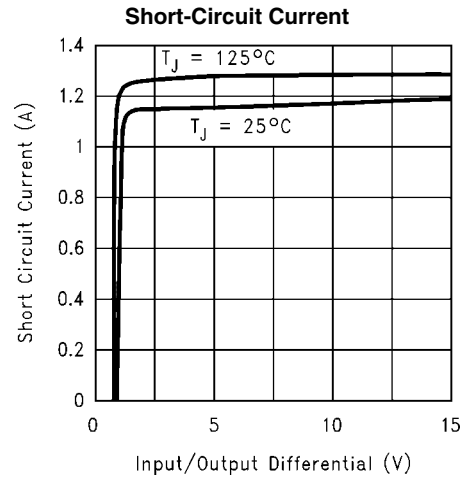
**Note 10:** Thermal Performance for the LLP was obtained using JESD51-7 board with six vias and an ambient temperature of  $22^{\circ}\text{C}$ . For information about improved thermal performance and power dissipation for the LLP, refer to Application Note AN-1187.



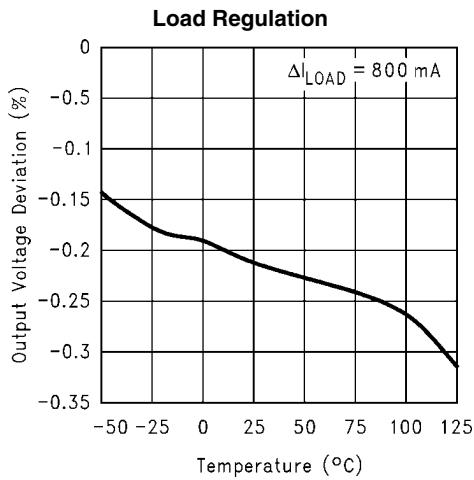
# Typical Performance Characteristics



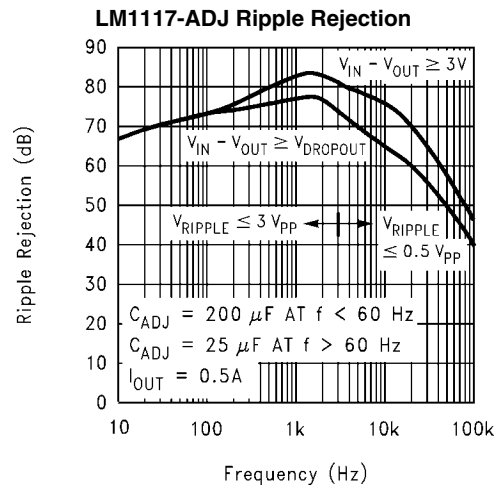
10091922



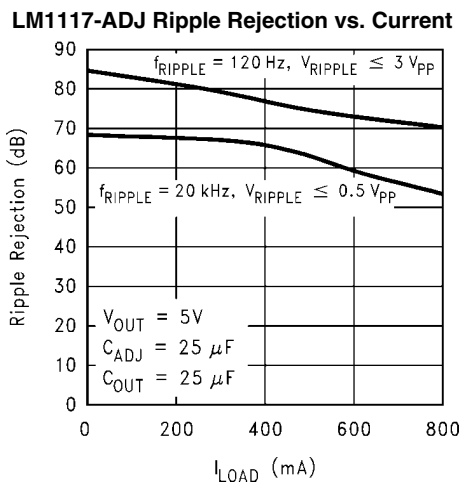
10091923



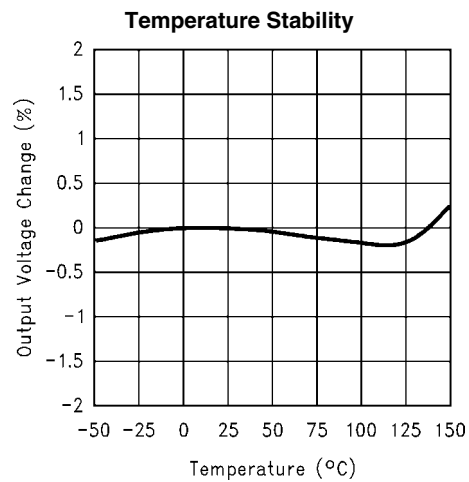
10091943



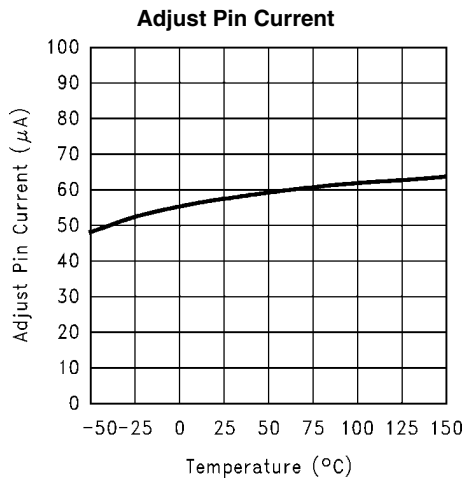
10091906



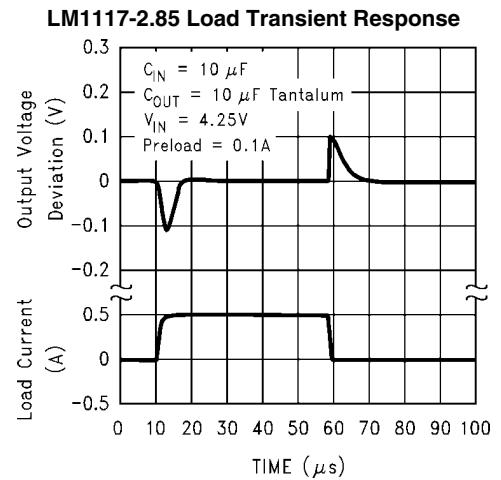
10091907



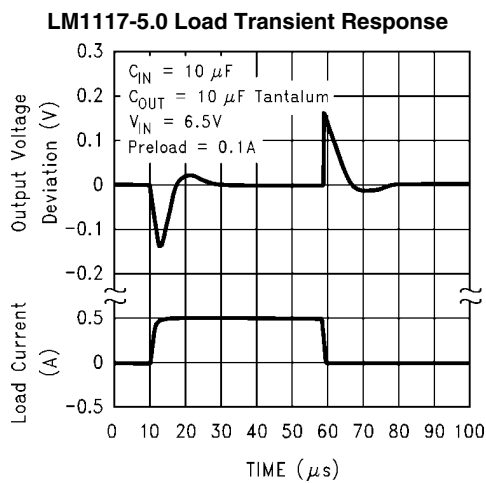
10091925



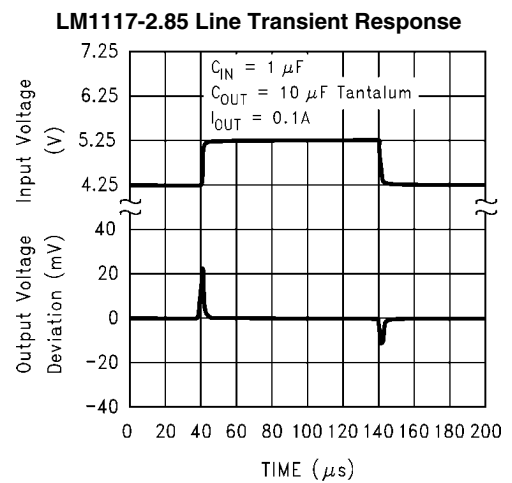
10091926



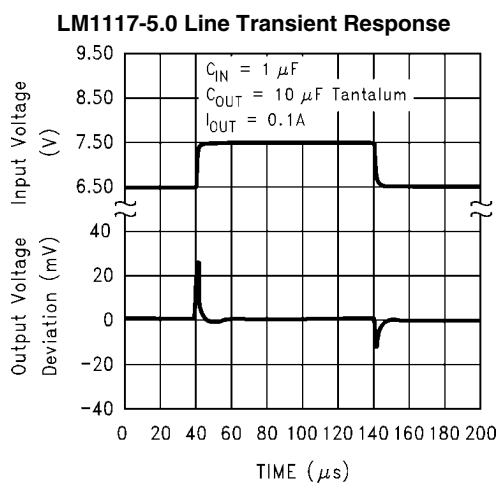
10091908



10091909



10091910



10091911

## Application Note

### 1.0 EXTERNAL CAPACITORS/STABILITY

#### 1.1 Input Bypass Capacitor

An input capacitor is recommended. A 10µF tantalum on the input is a suitable input bypassing for almost all applications.

#### 1.2 Adjust Terminal Bypass Capacitor

The adjust terminal can be bypassed to ground with a bypass capacitor ( $C_{ADJ}$ ) to improve ripple rejection. This bypass capacitor prevents ripple from being amplified as the output voltage is increased. At any ripple frequency, the impedance of the  $C_{ADJ}$  should be less than  $R1$  to prevent the ripple from being amplified:

$$1/(2\pi f_{RIPPLE} * C_{ADJ}) < R1$$

The  $R1$  is the resistor between the output and the adjust pin. Its value is normally in the range of 100-200Ω. For example, with  $R1 = 124\Omega$  and  $f_{RIPPLE} = 120\text{Hz}$ , the  $C_{ADJ}$  should be  $> 11\mu\text{F}$ .

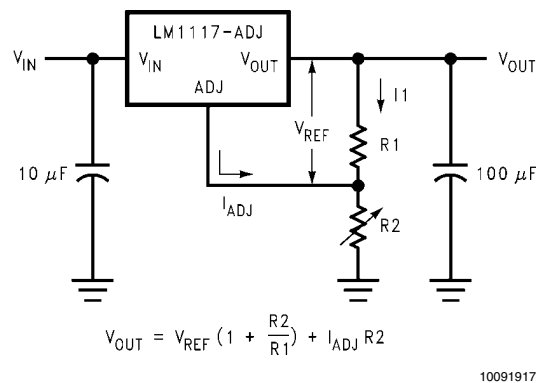
#### 1.3 Output Capacitor

The output capacitor is critical in maintaining regulator stability, and must meet the required conditions for both minimum amount of capacitance and ESR (Equivalent Series Resistance). The minimum output capacitance required by the LM1117 is 10µF, if a tantalum capacitor is used. Any increase of the output capacitance will merely improve the loop stability and transient response. The ESR of the output capacitor should range between 0.3Ω - 22Ω. In the case of the adjustable regulator, when the  $C_{ADJ}$  is used, a larger output capacitance (22µF tantalum) is required.

### 2.0 OUTPUT VOLTAGE

The LM1117 adjustable version develops a 1.25V reference voltage,  $V_{REF}$ , between the output and the adjust terminal. As shown in [Figure 1](#), this voltage is applied across resistor  $R1$  to generate a constant current  $I1$ . The current  $I_{ADJ}$  from the adjust terminal could introduce error to the output. But since it is very small (60µA) compared with the  $I1$  and very constant with line and load changes, the error can be ignored. The constant current  $I1$  then flows through the output set resistor  $R2$  and sets the output voltage to the desired level.

For fixed voltage devices,  $R1$  and  $R2$  are integrated inside the devices.



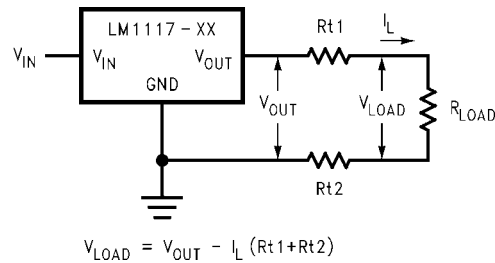
10091917

**FIGURE 1. Basic Adjustable Regulator**

### 3.0 LOAD REGULATION

The LM1117 regulates the voltage that appears between its output and ground pins, or between its output and adjust pins. In some cases, line resistances can introduce errors to the voltage across the load. To obtain the best load regulation, a few precautions are needed.

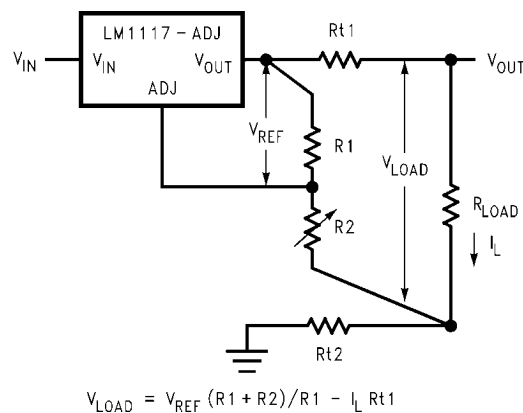
[Figure 2](#), shows a typical application using a fixed output regulator. The  $Rt1$  and  $Rt2$  are the line resistances. It is obvious that the  $V_{LOAD}$  is less than the  $V_{OUT}$  by the sum of the voltage drops along the line resistances. In this case, the load regulation seen at the  $R_{LOAD}$  would be degraded from the data sheet specification. To improve this, the load should be tied directly to the output terminal on the positive side and directly tied to the ground terminal on the negative side.



10091918

**FIGURE 2. Typical Application using Fixed Output Regulator**

When the adjustable regulator is used ([Figure 3](#)), the best performance is obtained with the positive side of the resistor R1 tied directly to the output terminal of the regulator rather than near the load. This eliminates line drops from appearing effectively in series with the reference and degrading regulation. For example, a 5V regulator with  $0.05\Omega$  resistance between the regulator and load will have a load regulation due to line resistance of  $0.05\Omega \times I_L$ . If R1 ( $=125\Omega$ ) is connected near the load, the effective line resistance will be  $0.05\Omega (1 + R2/R1)$  or in this case, it is 4 times worse. In addition, the ground side of the resistor R2 can be returned near the ground of the load to provide remote ground sensing and improve load regulation.



10091919

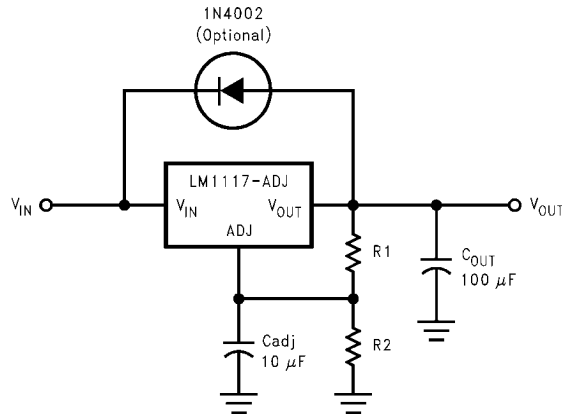
**FIGURE 3. Best Load Regulation using Adjustable Output Regulator**

#### 4.0 PROTECTION DIODES

Under normal operation, the LM1117 regulators do not need any protection diode. With the adjustable device, the internal resistance between the adjust and output terminals limits the current. No diode is needed to divert the current around the regulator even with capacitor on the adjust terminal. The adjust pin can take a transient signal of  $\pm 25V$  with respect to the output voltage without damaging the device.

When a output capacitor is connected to a regulator and the input is shorted to ground, the output capacitor will discharge into the output of the regulator. The discharge current depends on the value of the capacitor, the output voltage of the regulator, and rate of decrease of  $V_{IN}$ . In the LM1117 regulators, the internal diode between the output and input pins can withstand microsecond surge currents of 10A to 20A. With an extremely large output capacitor ( $\geq 1000 \mu F$ ), and with input instantaneously shorted to ground, the regulator could be damaged.

In this case, an external diode is recommended between the output and input pins to protect the regulator, as shown in [Figure 4](#).



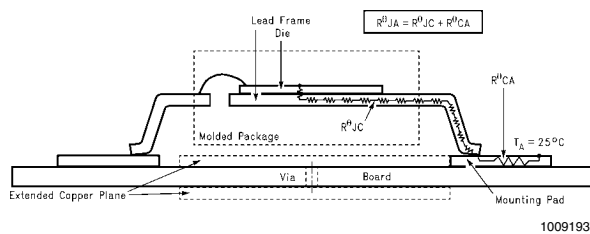
10091915

FIGURE 4. Regulator with Protection Diode

5.0 HEATSINK REQUIREMENTS

When an integrated circuit operates with an appreciable current, its junction temperature is elevated. It is important to quantify its thermal limits in order to achieve acceptable performance and reliability. This limit is determined by summing the individual parts consisting of a series of temperature rises from the semiconductor junction to the operating environment. A one-dimensional steady-state model of conduction heat transfer is demonstrated in Figure 5. The heat generated at the device junction flows through the die to the die attach pad, through the lead frame to the surrounding case material, to the printed circuit board, and eventually to the ambient environment. Below is a list of variables that may affect the thermal resistance and in turn the need for a heatsink.

R <sup>θ</sup> JC (Component Variables)	R <sup>θ</sup> CA (Application Variables)
Leadframe Size & Material	Mounting Pad Size, Material, & Location
No. of Conduction Pins	Placement of Mounting Pad
Die Size	PCB Size & Material
Die Attach Material	Traces Length & Width
Molding Compound Size and Material	Adjacent Heat Sources
	Volume of Air
	Ambient Temperature
	Shape of Mounting Pad



10091937

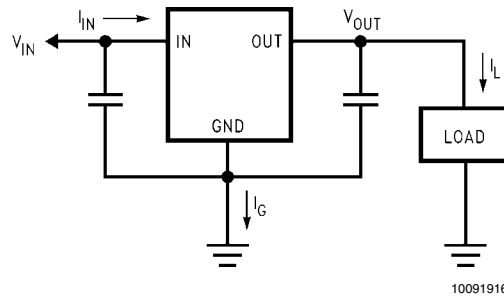
FIGURE 5. Cross-sectional view of Integrated Circuit Mounted on a printed circuit board. Note that the case temperature is measured at the point where the leads contact with the mounting pad surface

The LM1117 regulators have internal thermal shutdown to protect the device from over-heating. Under all possible operating conditions, the junction temperature of the LM1117 must be within the range of 0°C to 125°C. A heatsink may be required depending on the maximum power dissipation and maximum ambient temperature of the application. To determine if a heatsink is needed, the power dissipated by the regulator, P<sub>D</sub>, must be calculated:

$$I_{IN} = I_L + I_G$$

$$P_D = (V_{IN} - V_{OUT})I_L + V_{IN}I_G$$

Figure 6 shows the voltages and currents which are present in the circuit.



**FIGURE 6. Power Dissipation Diagram**

The next parameter which must be calculated is the maximum allowable temperature rise,  $T_R(\text{max})$ :

$$T_R(\text{max}) = T_J(\text{max}) - T_A(\text{max})$$

where  $T_J(\text{max})$  is the maximum allowable junction temperature ( $125^\circ\text{C}$ ), and  $T_A(\text{max})$  is the maximum ambient temperature which will be encountered in the application.

Using the calculated values for  $T_R(\text{max})$  and  $P_D$ , the maximum allowable value for the junction-to-ambient thermal resistance ( $\theta_{JA}$ ) can be calculated:

$$\theta_{JA} = T_R(\text{max})/P_D$$

If the maximum allowable value for  $\theta_{JA}$  is found to be  $\geq 136^\circ\text{C/W}$  for SOT-223 package or  $\geq 79^\circ\text{C/W}$  for TO-220 package or  $\geq 92^\circ\text{C/W}$  for TO-252 package, no heatsink is needed since the package alone will dissipate enough heat to satisfy these requirements. If the calculated value for  $\theta_{JA}$  falls below these limits, a heatsink is required.

As a design aid, [Table 1](#) shows the value of the  $\theta_{JA}$  of SOT-223 and TO-252 for different heatsink area. The copper patterns that we used to measure these  $\theta_{JA}$ s are shown at the end of the Application Notes Section. [Figure 7](#) and [Figure 8](#) reflects the same test results as what are in the [Table 1](#)

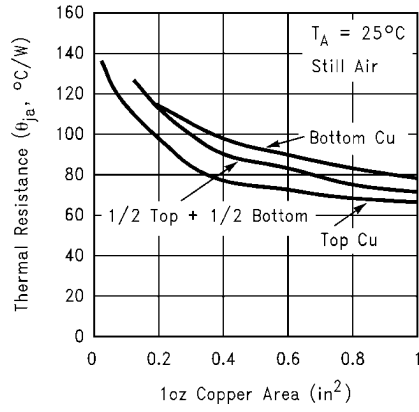
[Figure 9](#) and [Figure 10](#) shows the maximum allowable power dissipation vs. ambient temperature for the SOT-223 and TO-252 device. [Figures Figure 11](#) and [Figure 12](#) shows the maximum allowable power dissipation vs. copper area ( $\text{in}^2$ ) for the SOT-223 and TO-252 devices. Please see AN1028 for power enhancement techniques to be used with SOT-223 and TO-252 packages.

\*Application Note AN-1187 discusses improved thermal performance and power dissipation for the LLP.

**TABLE 1.  $\theta_{JA}$  Different Heatsink Area**

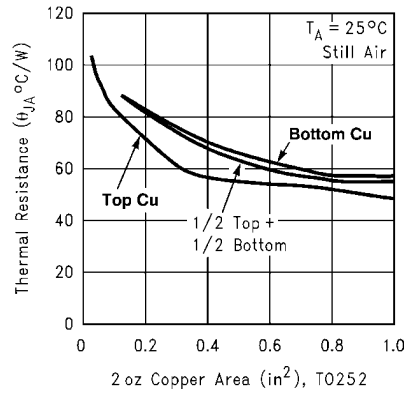
Layout	Copper Area		Thermal Resistance	
	Top Side ( $\text{in}^2$ )*	Bottom Side ( $\text{in}^2$ )	( $\theta_{JA}$ , $^\circ\text{C/W}$ ) SOT-223	( $\theta_{JA}$ , $^\circ\text{C/W}$ ) TO-252
1	0.0123	0	136	103
2	0.066	0	123	87
3	0.3	0	84	60
4	0.53	0	75	54
5	0.76	0	69	52
6	1	0	66	47
7	0	0.2	115	84
8	0	0.4	98	70
9	0	0.6	89	63
10	0	0.8	82	57
11	0	1	79	57
12	0.066	0.066	125	89
13	0.175	0.175	93	72
14	0.284	0.284	83	61
15	0.392	0.392	75	55
16	0.5	0.5	70	53

\*Tab of device attached to topside copper



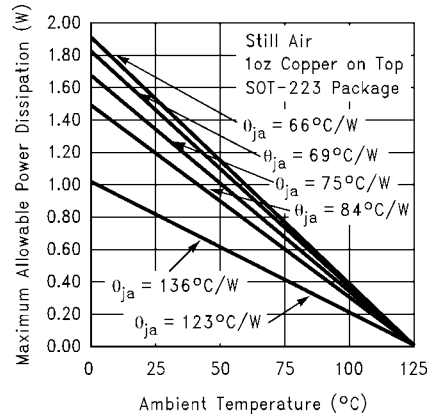
10091913

FIGURE 7.  $\theta_{JA}$  vs. 1oz Copper Area for SOT-223



10091934

FIGURE 8.  $\theta_{JA}$  vs. 2oz Copper Area for TO-252



10091912

FIGURE 9. Maximum Allowable Power Dissipation vs. Ambient Temperature for SOT-223

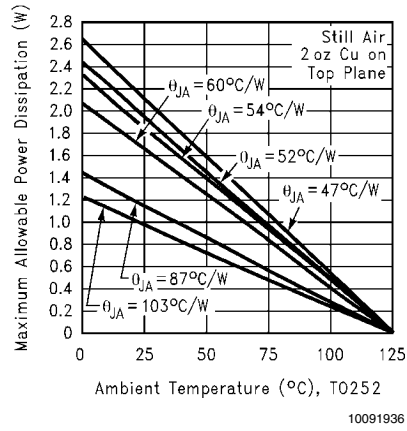


FIGURE 10. Maximum Allowable Power Dissipation vs. Ambient Temperature for TO-252

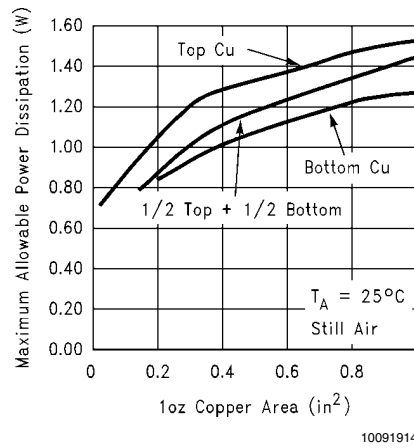


FIGURE 11. Maximum Allowable Power Dissipation vs. 1oz Copper Area for SOT-223

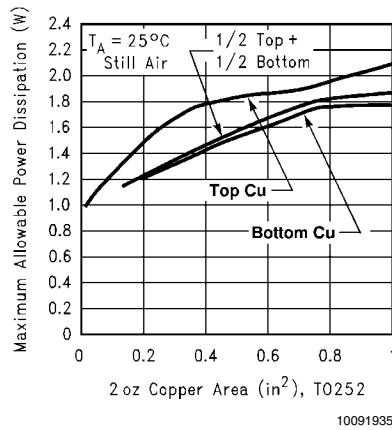
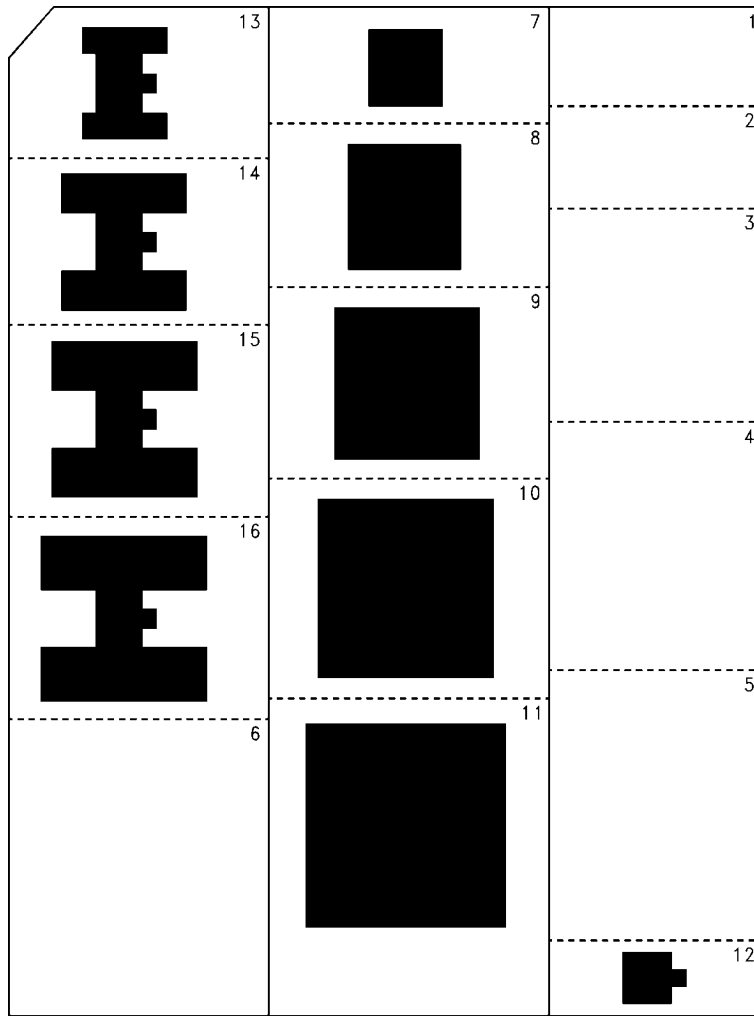


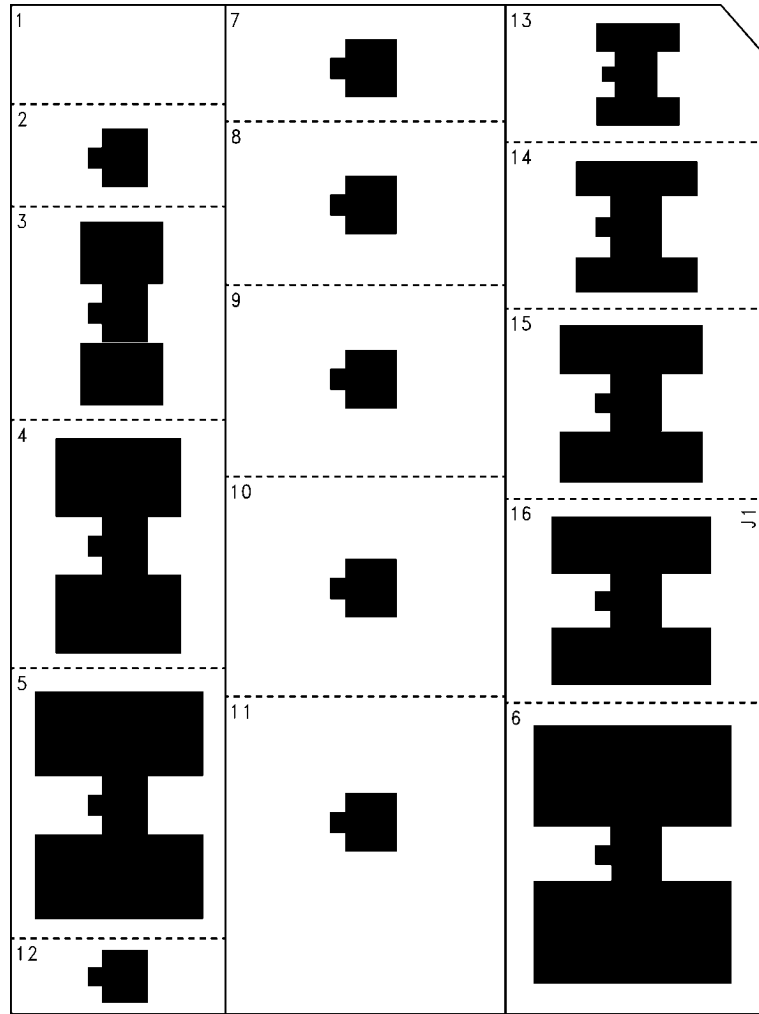
FIGURE 12. Maximum Allowable Power Dissipation vs. 2oz Copper Area for TO-252





10091941

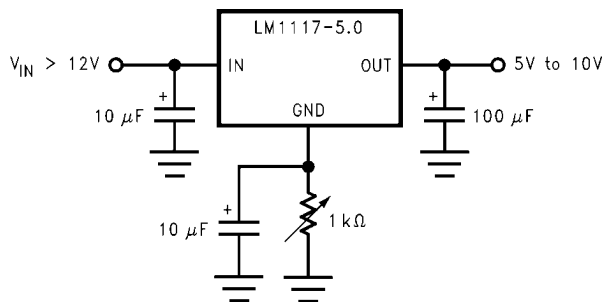
**FIGURE 13. Top View of the Thermal Test Pattern in Actual Scale**



10091942

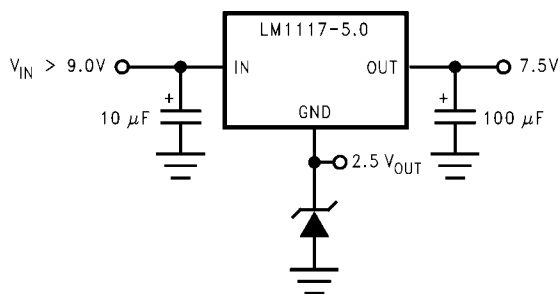
FIGURE 14. Bottom View of the Thermal Test Pattern in Actual Scale

## Typical Application Circuits



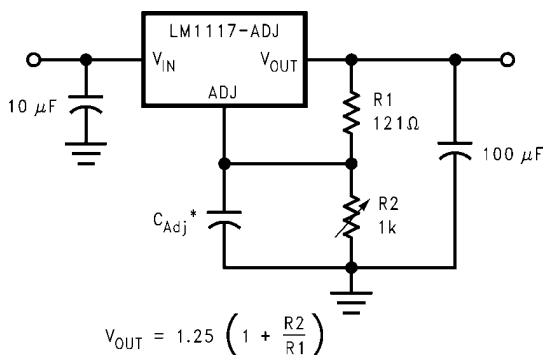
Adjusting Output of Fixed Regulators

10091930



Regulator with Reference

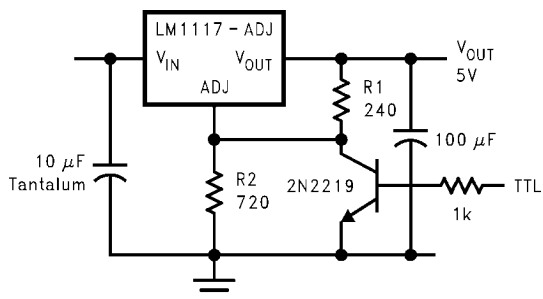
10091931



\*  $C_{Adj}$  is optional, however it will improve ripple rejection.

1.25V to 10V Adjustable Regulator with Improved Ripple Rejection

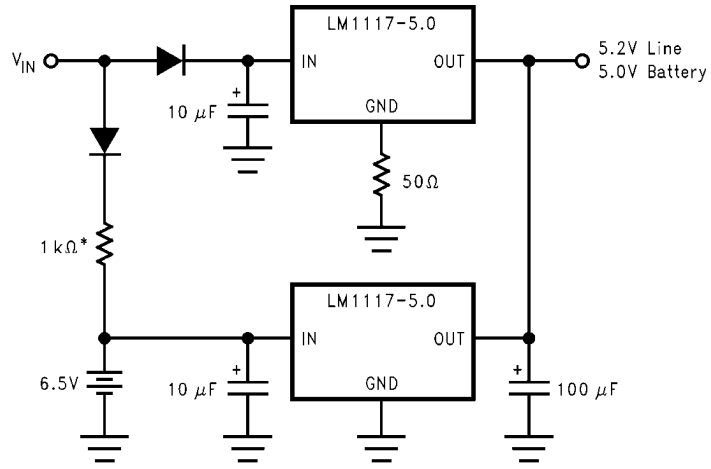
10091929



\* Min. output  $\approx$  1.25V

5V Logic Regulator with Electronic Shutdown\*

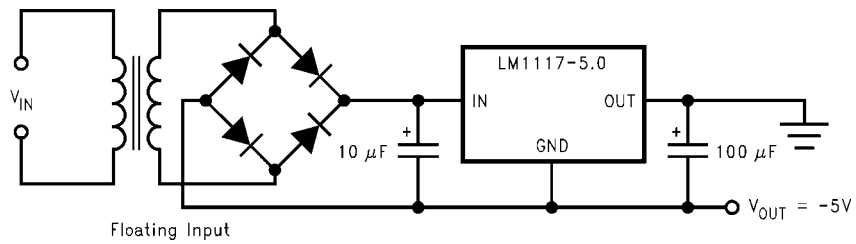
10091927



\* Select for charge rate.

**Battery Backed-Up Regulated Supply**

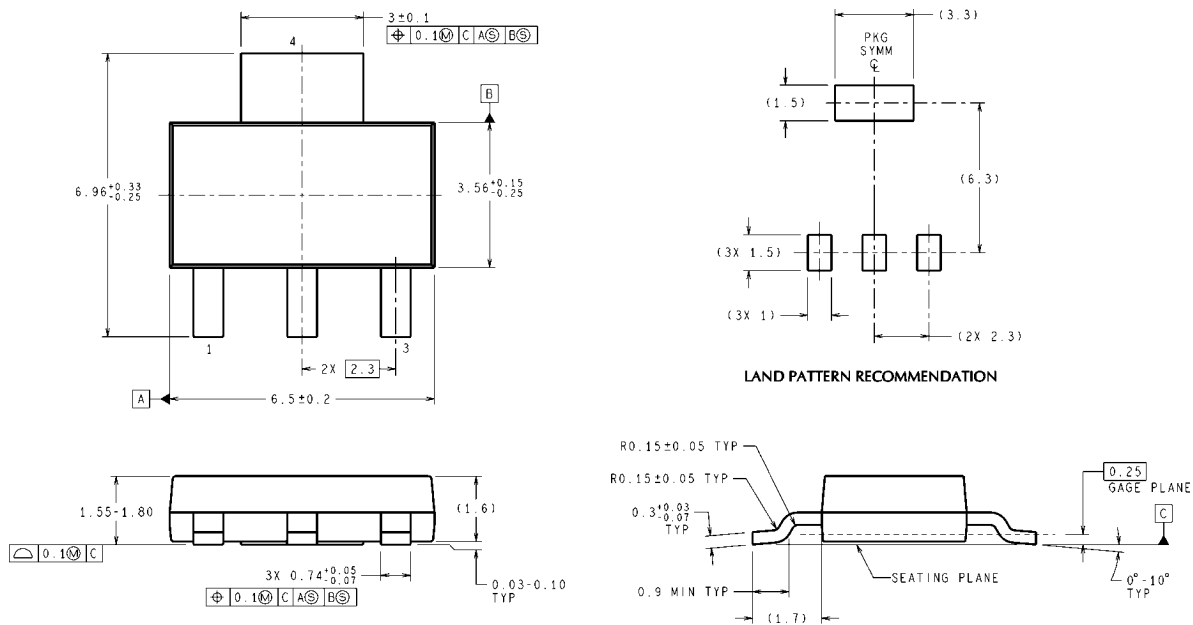
10091932



**Low Dropout Negative Supply**

10091933

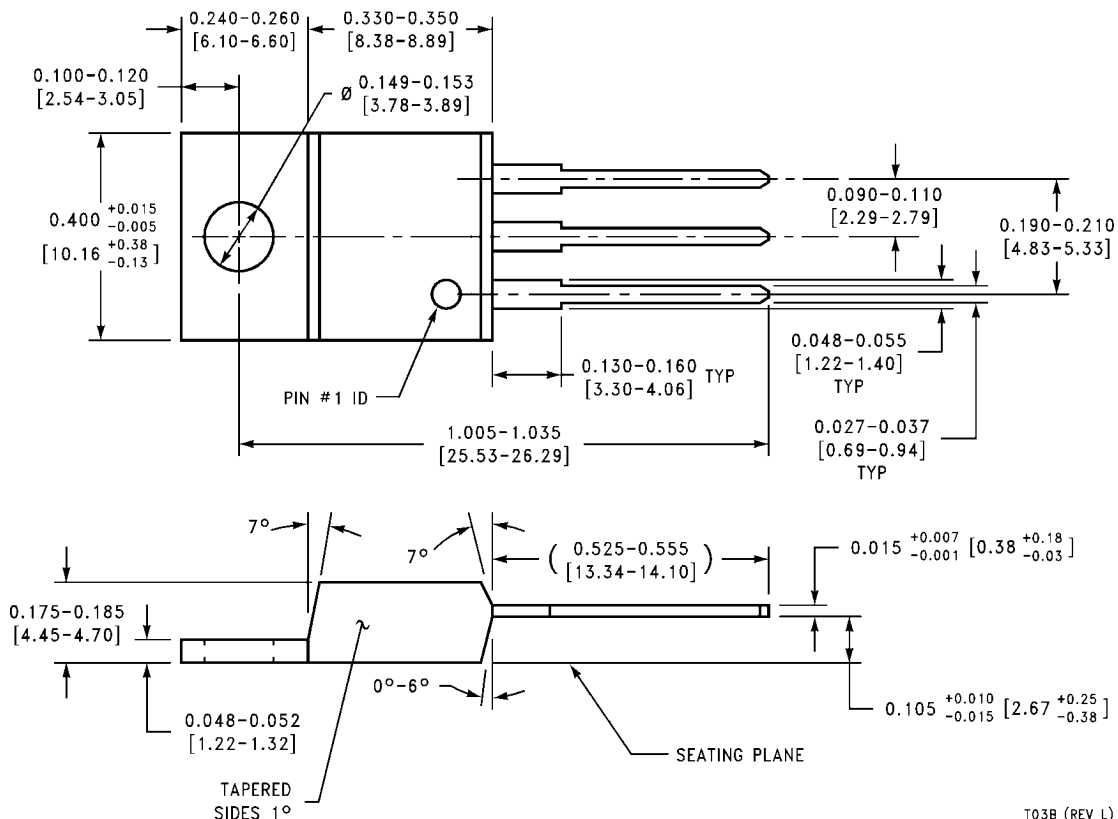
**Physical Dimensions** inches (millimeters) unless otherwise noted



DIMENSIONS ARE IN MILLIMETERS

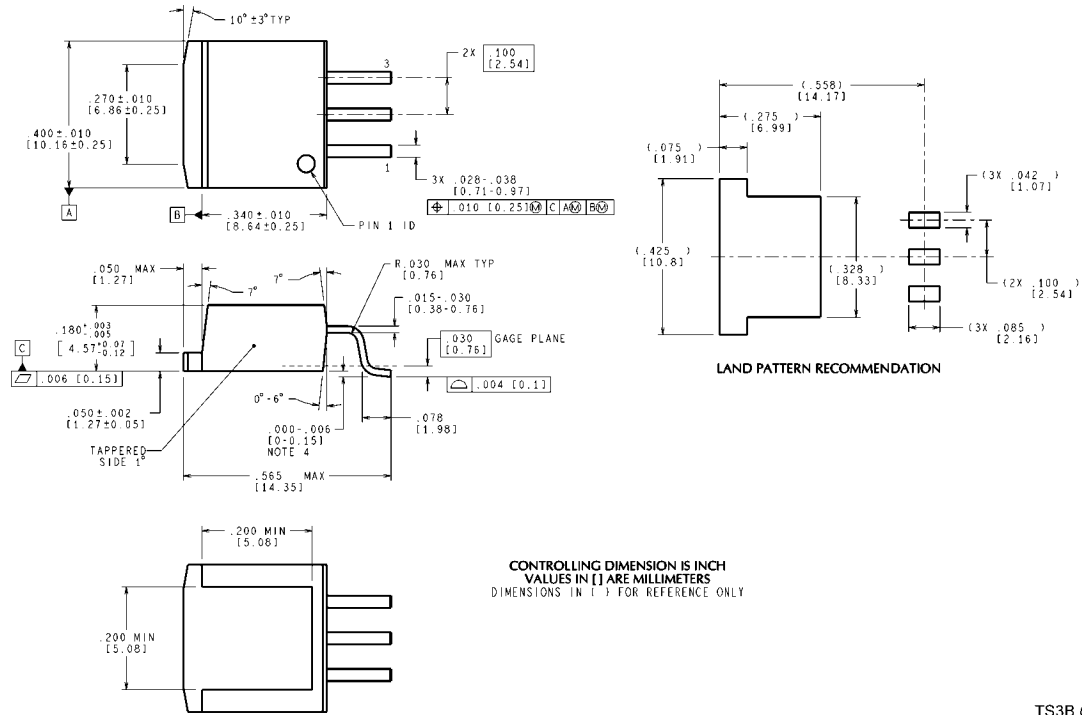
MP04A (Rev B)

**3-Lead SOT-223  
NS Package Number MP04A**



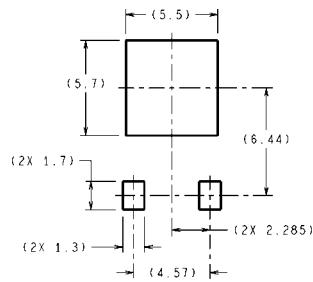
T03B (REV L)

**3-Lead TO-220  
NS Package Number T03B**



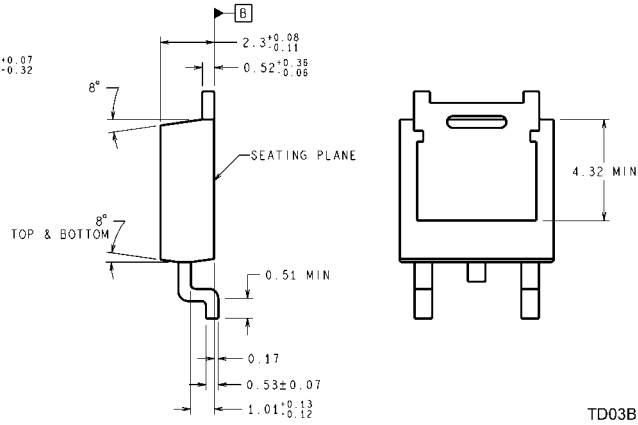
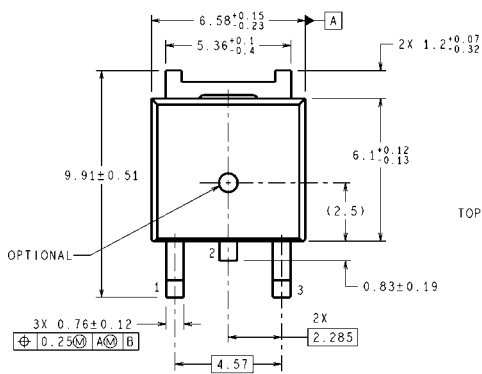
**3-Lead TO-263**  
**NS Package Number TS3B**

TS3B (Rev F)



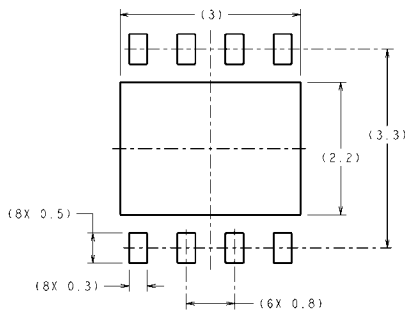
**DIMENSIONS ARE IN MILLIMETERS**  
DIMENSIONS IN ( ) FOR REFERENCE ONLY

**LAND PATTERN RECOMMENDATION**

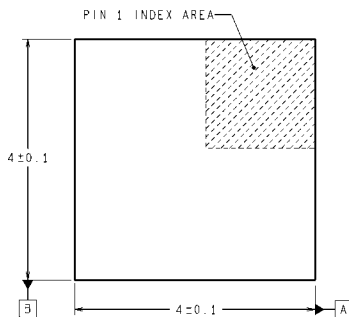


TD03B (Rev F)

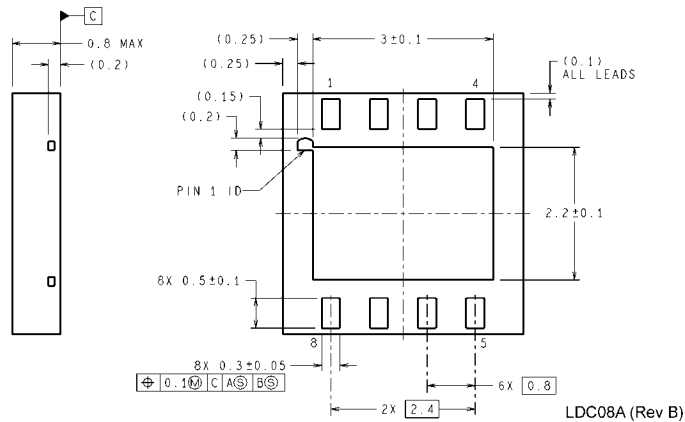
**3-Lead TO-252**  
**NS Package Number TD03B**



**RECOMMENDED LAND PATTERN**  
1:1 RATION WITH PKG SOLDER PADS



**DIMENSIONS ARE IN MILLIMETERS**  
DIMENSIONS IN ( ) FOR REFERENCE ONLY



**8-Lead LLP**  
**NS Package Number LDC08A**

# Notes



## IMPORTANT NOTICE

Texas Instruments Incorporated and its subsidiaries (TI) reserve the right to make corrections, enhancements, improvements and other changes to its semiconductor products and services per JESD46C and to discontinue any product or service per JESD48B. Buyers should obtain the latest relevant information before placing orders and should verify that such information is current and complete. All semiconductor products (also referred to herein as "components") are sold subject to TI's terms and conditions of sale supplied at the time of order acknowledgment.

TI warrants performance of its components to the specifications applicable at the time of sale, in accordance with the warranty in TI's terms and conditions of sale of semiconductor products. Testing and other quality control techniques are used to the extent TI deems necessary to support this warranty. Except where mandated by applicable law, testing of all parameters of each component is not necessarily performed.

TI assumes no liability for applications assistance or the design of Buyers' products. Buyers are responsible for their products and applications using TI components. To minimize the risks associated with Buyers' products and applications, Buyers should provide adequate design and operating safeguards.

TI does not warrant or represent that any license, either express or implied, is granted under any patent right, copyright, mask work right, or other intellectual property right relating to any combination, machine, or process in which TI components or services are used. Information published by TI regarding third-party products or services does not constitute a license to use such products or services or a warranty or endorsement thereof. Use of such information may require a license from a third party under the patents or other intellectual property of the third party, or a license from TI under the patents or other intellectual property of TI.

Reproduction of significant portions of TI information in TI data books or data sheets is permissible only if reproduction is without alteration and is accompanied by all associated warranties, conditions, limitations, and notices. TI is not responsible or liable for such altered documentation. Information of third parties may be subject to additional restrictions.

Resale of TI components or services with statements different from or beyond the parameters stated by TI for that component or service voids all express and any implied warranties for the associated TI component or service and is an unfair and deceptive business practice. TI is not responsible or liable for any such statements.

Buyer acknowledges and agrees that it is solely responsible for compliance with all legal, regulatory and safety-related requirements concerning its products, and any use of TI components in its applications, notwithstanding any applications-related information or support that may be provided by TI. Buyer represents and agrees that it has all the necessary expertise to create and implement safeguards which anticipate dangerous consequences of failures, monitor failures and their consequences, lessen the likelihood of failures that might cause harm and take appropriate remedial actions. Buyer will fully indemnify TI and its representatives against any damages arising out of the use of any TI components in safety-critical applications.

In some cases, TI components may be promoted specifically to facilitate safety-related applications. With such components, TI's goal is to help enable customers to design and create their own end-product solutions that meet applicable functional safety standards and requirements. Nonetheless, such components are subject to these terms.

No TI components are authorized for use in FDA Class III (or similar life-critical medical equipment) unless authorized officers of the parties have executed a special agreement specifically governing such use.

Only those TI components which TI has specifically designated as military grade or "enhanced plastic" are designed and intended for use in military/aerospace applications or environments. Buyer acknowledges and agrees that any military or aerospace use of TI components which have **not** been so designated is solely at the Buyer's risk, and that Buyer is solely responsible for compliance with all legal and regulatory requirements in connection with such use.

TI has specifically designated certain components which meet ISO/TS16949 requirements, mainly for automotive use. Components which have not been so designated are neither designed nor intended for automotive use; and TI will not be responsible for any failure of such components to meet such requirements.

### Products

Audio	<a href="http://www.ti.com/audio">www.ti.com/audio</a>
Amplifiers	<a href="http://amplifier.ti.com">amplifier.ti.com</a>
Data Converters	<a href="http://dataconverter.ti.com">dataconverter.ti.com</a>
DLP® Products	<a href="http://www.dlp.com">www.dlp.com</a>
DSP	<a href="http://dsp.ti.com">dsp.ti.com</a>
Clocks and Timers	<a href="http://www.ti.com/clocks">www.ti.com/clocks</a>
Interface	<a href="http://interface.ti.com">interface.ti.com</a>
Logic	<a href="http://logic.ti.com">logic.ti.com</a>
Power Mgmt	<a href="http://power.ti.com">power.ti.com</a>
Microcontrollers	<a href="http://microcontroller.ti.com">microcontroller.ti.com</a>
RFID	<a href="http://www.ti-rfid.com">www.ti-rfid.com</a>
OMAP Mobile Processors	<a href="http://www.ti.com/omap">www.ti.com/omap</a>
Wireless Connectivity	<a href="http://www.ti.com/wirelessconnectivity">www.ti.com/wirelessconnectivity</a>

### Applications

Automotive and Transportation	<a href="http://www.ti.com/automotive">www.ti.com/automotive</a>
Communications and Telecom	<a href="http://www.ti.com/communications">www.ti.com/communications</a>
Computers and Peripherals	<a href="http://www.ti.com/computers">www.ti.com/computers</a>
Consumer Electronics	<a href="http://www.ti.com/consumer-apps">www.ti.com/consumer-apps</a>
Energy and Lighting	<a href="http://www.ti.com/energy">www.ti.com/energy</a>
Industrial	<a href="http://www.ti.com/industrial">www.ti.com/industrial</a>
Medical	<a href="http://www.ti.com/medical">www.ti.com/medical</a>
Security	<a href="http://www.ti.com/security">www.ti.com/security</a>
Space, Avionics and Defense	<a href="http://www.ti.com/space-avionics-defense">www.ti.com/space-avionics-defense</a>
Video and Imaging	<a href="http://www.ti.com/video">www.ti.com/video</a>

**TI E2E Community** [e2e.ti.com](http://e2e.ti.com)