



## HIGH PERFORMANCE 2A ULDO LINEAR REGULATOR

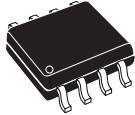
- 2V TO 14V INPUT VOLTAGE RANGE
- 200mΩ R<sub>dson</sub> MAX.
- 200μA QUIESCENT CURRENT AT ANY LOAD
- EXCELLENT LOAD AND LINE REGULATION
- 1.8V AND 2.5V FIXED VOLTAGE
- ADJUSTABLE FROM 1.2V TO 5V (L6932D1.2)
- 1% VOLTAGE REGULATION ACCURACY
- SHORT CIRCUIT PROTECTION
- THERMAL SHUT DOWN
- SO-8 (4+4) PACKAGE

### APPLICATIONS

- MOTHERBOARDS
- MOBILE PC
- HAND-HELD INSTRUMENTS
- PCMCIA CARDS
- PROCESSORS I/O
- CHIPSET AND RAM SUPPLY

### DESCRIPTION

The L6932 Ultra Low Drop Output linear regulator operates from 2V to 14V and is able to support 2A. Designed with an internal 50mΩ N-channel



**SO-8 (4+4)**

**ORDERING NUMBERS:**

L6932D1.2 (SO-8)	L6932D1.2TR (T&R)
L6932D1.8 (SO-8)	L6932D1.8TR (T&R)
L6932D2.5 (SO-8)	L6932D2.5TR (T&R)

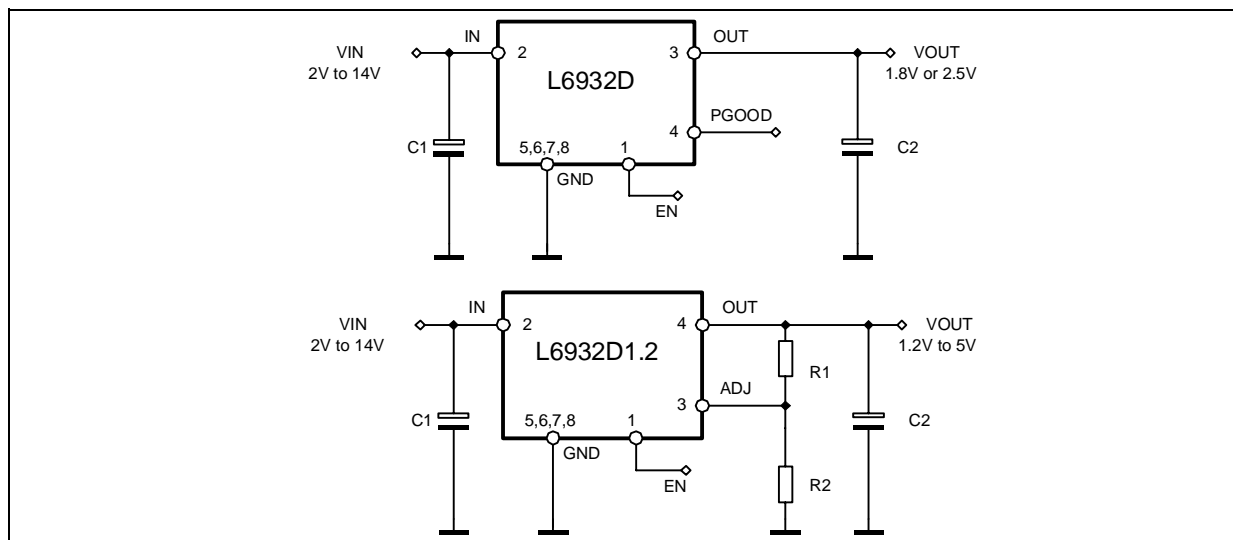
Mosfet, can be useful for the DC-DC conversion between 2.5V and 1.8V at 2A in portable applications reducing the power dissipation.

L6932 is available in 1.8V, 2.5V and adj version from 1.2V and ensure a voltage regulation accuracy of 1%.

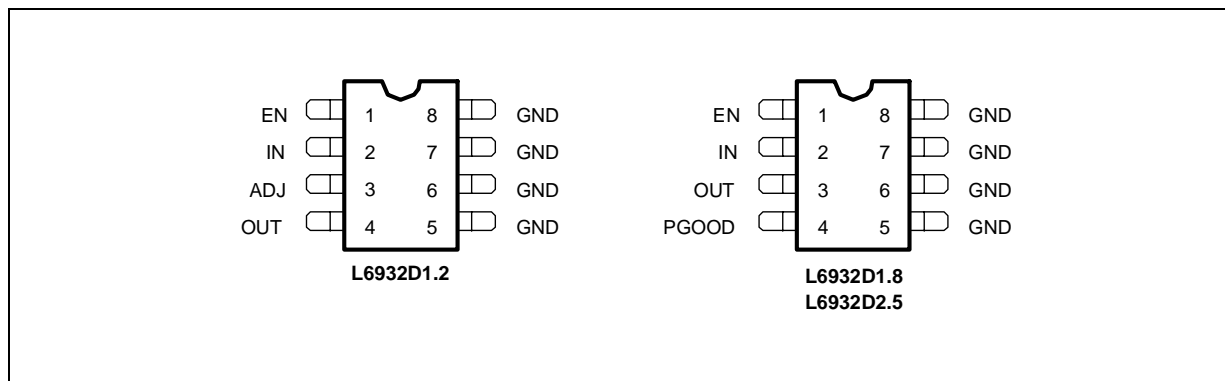
The current limit is fixed at 2.5A to control the current in short circuit condition within ±8%. The current is sensed in the power mos in order to limit the power dissipation.

The device is also provided of a thermal shut down that limits the internal temperature at 150°C with an hysteresis of 20°C. L6932 provides the Enable and the Power good functions.

### TYPICAL OPERATING CIRCUIT



**PIN CONNECTIONS**



**PIN FUNCTION**

N°	L6232D 1.2	L6232D 1.8/2.5	Description
1	EN		Enables the device if connected to $V_{in}$ and disables the device if forced to gnd.
2	IN		Supply voltage. This pin is connected to the drain of the internal N-mos. Connect this pin to a capacitor larger than $10\mu F$ .
3	ADJ	–	Connecting this pin to a voltage divider it is possible to programme the output voltage between 1.2V and 5V.
	–	OUT	Regulated output voltage. This pin is connected to the source of the internal N-mos. Connect this pin to a capacitor of $10\mu F$ .
4	OUT	–	Regulated output voltage. This pin is connected to the source of the internal N-mos. Connect this pin to a capacitor of $10\mu F$ .
	–	PGOOD	Power good output. The pin is open drain and detects the output voltage. It is forced low if the output voltage is lower than 90% of the programmed voltage.
5, 6, 7, 8	GND		Ground pin.

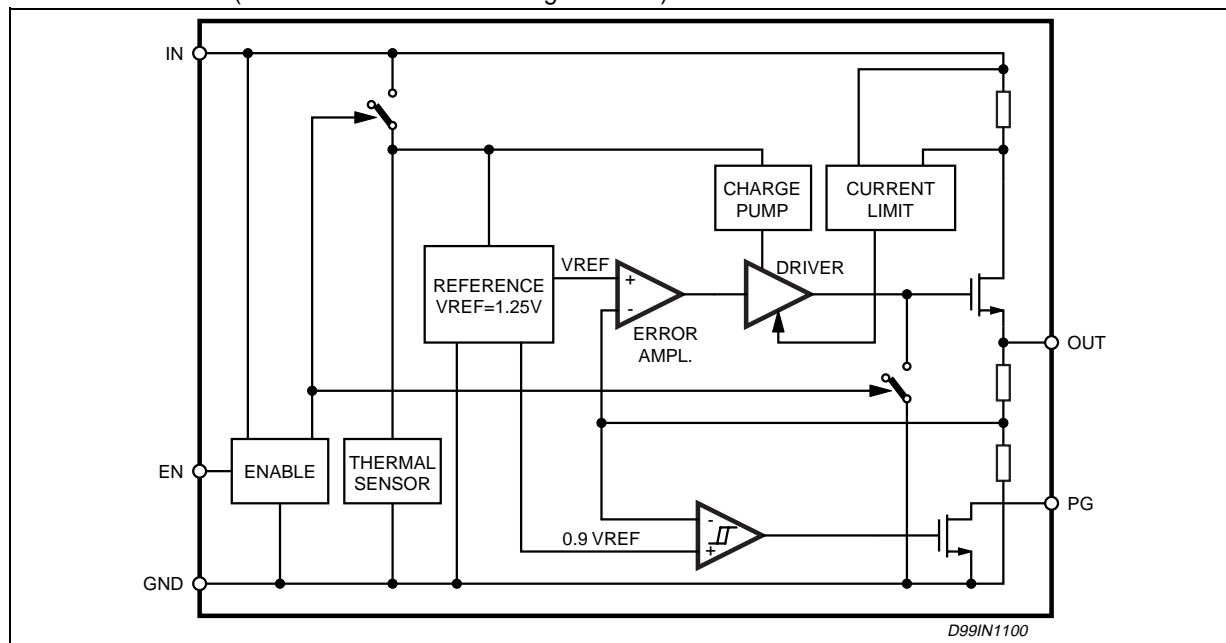
**ABSOLUTE MAXIMUM RATINGS**

Symbol	Parameter	Value	Unit
$V_{in}$	VIN and Pgood	14.5	V
	EN, OUT and ADJ	-0.3 to $(V_{in} + 0.3)$	V

**THERMAL DATA**

Symbol	Parameter	Value	Unit
$R_{th J-amb}$	Thermal Resistance Junction to Ambient	62 (*)	$^{\circ}C/W$
$T_{max}$	Maximum Junction Temperature	150	$^{\circ}C$
$T_{stg}$	Storage Temperature Range	-65 to 150	$^{\circ}C$

(\*) Measured on Demoboard with about  $4\text{ cm}^2$  of dissipating area 2 Oz.

**BLOCK DIAGRAM** (Referred to the Fixed Voltage version)**ELECTRICAL CHARACTERISTICS** ( $T_j = 25^\circ\text{C}$ ,  $V_{IN} = 5\text{V}$  unless otherwise specified)(\*) Specification referred to  $T_j$  from  $-25^\circ\text{C}$  to  $125^\circ\text{C}$ .

Symbol	Parameter	Test Condition	Min.	Typ.	Max.	Unit
$V_{in}$	Operating Supply Voltage		2		14	V
$V_o$	Output voltage L6932D1.2	$I_o = 0.1\text{A}; V_{in} = 3.3\text{V}$	1.188	1.2	1.212	V
	Output voltage L6932D1.8	$I_o = 0.1\text{A}; V_{in} = 3.3\text{V}$	1.782	1.8	1.818	V
	Output voltage L6932D2.5	$I_o = 0.1\text{A}; V_{in} = 3.3\text{V}$	2.475	2.5	2.525	V
	L6932D1.2 Line Regulation	$V_{in} = 2.5\text{V} \pm 10\%; I_o = 10\text{mA}$			5	mV
		$V_{in} = 3.3\text{V} \pm 10\%; I_o = 10\text{mA}$			5	mV
		$V_{in} = 5\text{V} \pm 10\%; I_o = 10\text{mA}$			5	mV
	L6932D1.8 Line Regulation	$V_{in} = 2.5\text{V} \pm 10\%; I_o = 10\text{mA}$			5	mV
		$V_{in} = 3.3\text{V} \pm 10\%; I_o = 10\text{mA}$			5	mV
		$V_{in} = 5\text{V} \pm 10\%; I_o = 10\text{mA}$			5	mV
	L6932D2.5 Line Regulation	$V_{in} = 3.3\text{V} \pm 10\%; I_o = 10\text{mA}$			5	mV
		$V_{in} = 5\text{V} \pm 10\%; I_o = 10\text{mA}$			5	mV
	L6932D1.2 Load Regulation	$V_{in} = 3.3\text{V}; 0.1\text{A} < I_o < 2\text{A}$			15	mV
	L6932D1.8 Load Regulation	$V_{in} = 3.3\text{V}; 0.1\text{A} < I_o < 2\text{A}$			15	mV
	L6932D2.5 Load Regulation	$V_{in} = 3.3\text{V}; 0.1\text{A} < I_o < 2\text{A}$			15	mV
$R_{dson}$	Drain Source ON resistance				200	m $\Omega$
$I_{occ}$	Current limiting		2.3	2.5	2.7	A
$I_q$	Quiescent current			0.2	0.4	mA
$I_{sh}$	Shutdown current	$2\text{V} < V_{in} < 14\text{V}$	*		25	$\mu\text{A}$
	Ripple Rejection	$f = 120\text{Hz}, I_o = 1\text{A}$ $V_{in} = 5\text{V}, \Delta V_{in} = 2\text{Vpp}$	60	75		dB
$V_{en}$	EN Input Threshold		0.5	0.65	0.8	V

ELECTRICAL CHARACTERISTICS (continued)

Symbol	Parameter	Test Condition	Min.	Typ.	Max.	Unit
	Pgood threshold	$V_o$ rise		90		% $V_o$
	Pgood Hysteresis			10		% $V_o$
	Pgood saturation	$I_{pgood} = 1\text{mA}$		0.2	0.4	V

Figure 1. Output Voltage vs. Junction Temperature (L6932D1.2)

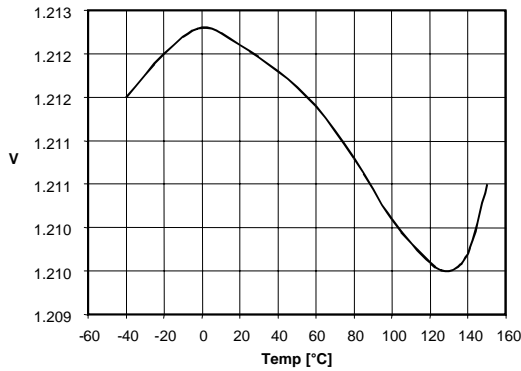


Figure 4. Quiescent Current vs. Junction Temperature

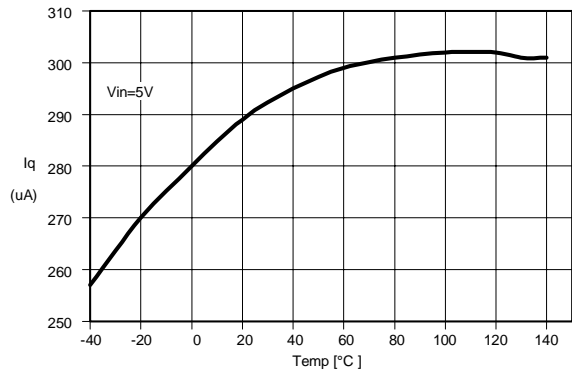


Figure 2. Output Voltage vs. Junction Temperature (L6932D1.8)

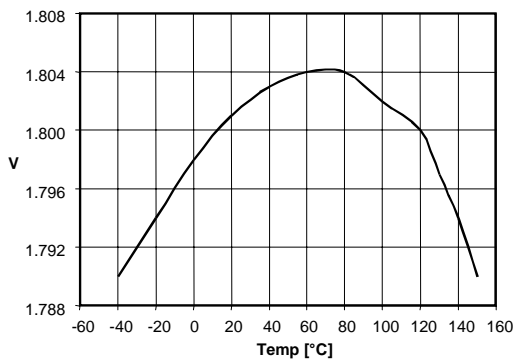


Figure 5. Shutdown Current vs. Junction Temperature

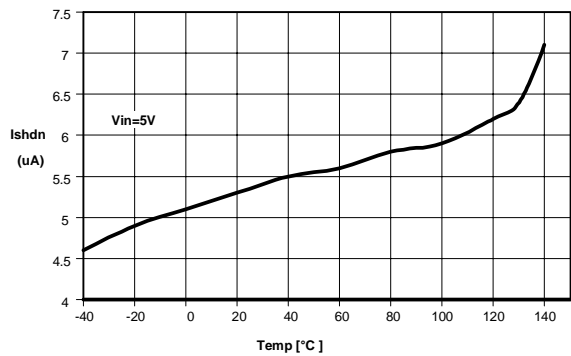
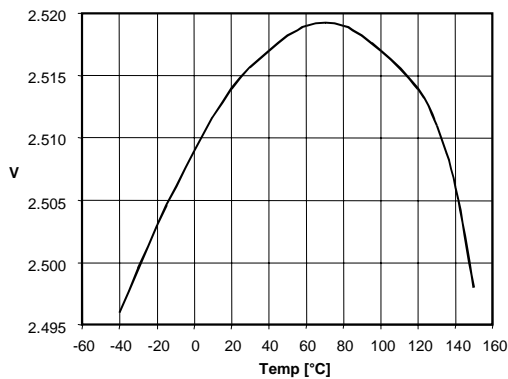


Figure 3. Output Voltage vs. Junction Temperature (L6932D2.5)

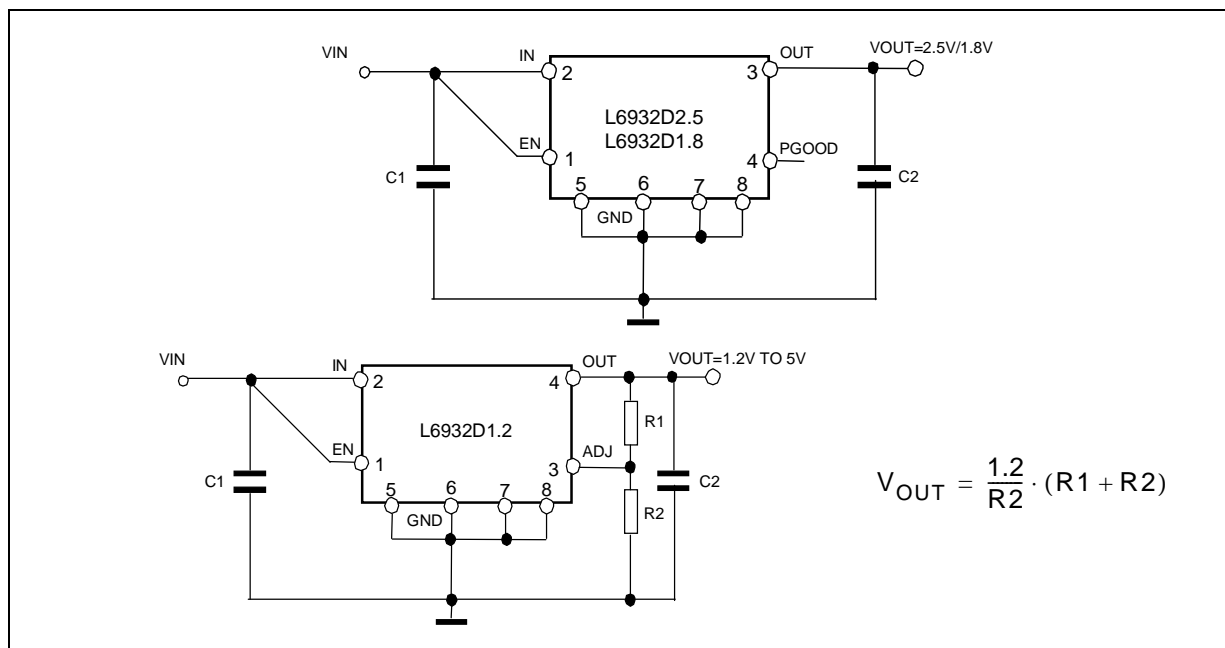


## APPLICATION INFORMATION

## APPLICATION CIRCUIT

In figure 6 the schematic circuit of the demoboards are shown.

Figure 6. Demoboards Schematic Circuit

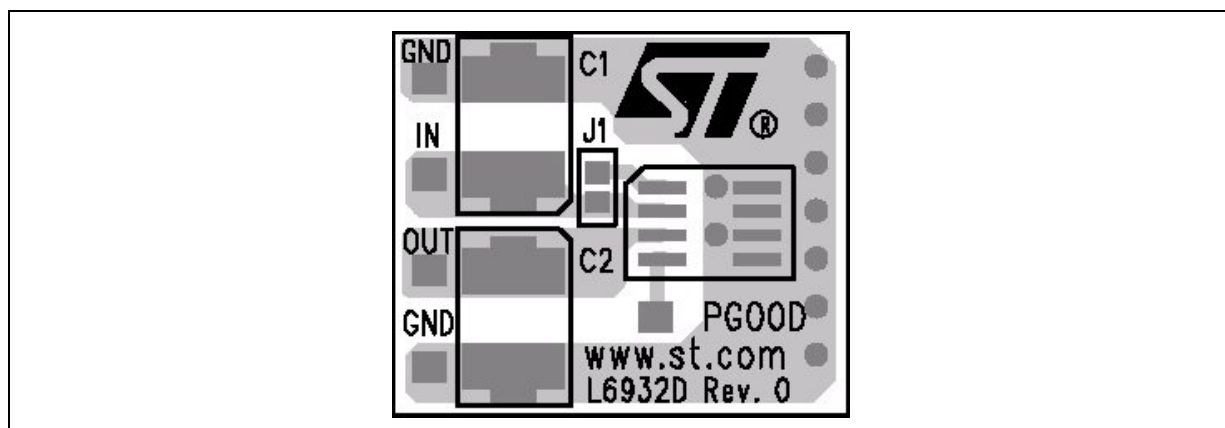


## COMPONENT LIST

## Fixed version

Reference	Part Number	Description	Manufacturer
C1	C34Y5U1E106Z	10uF, 25V	TOKIN
C2	C34Y5U1E106Z	10uF, 25V	TOKIN

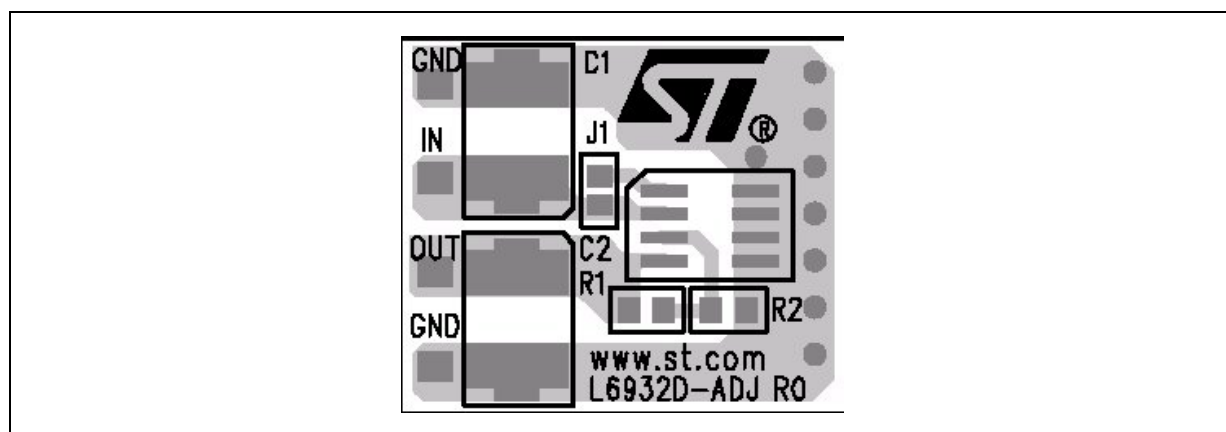
Figure 7. Demoboard Layout (Fixed Version)



**Adjustable version**

Reference	Part Number	Description	Manufacturer
C1	C34Y5U1E106Z	10uF, 25V	TOKIN
C2	C34Y5U1E106Z	10uF, 25V	TOKIN
R1		5.6K, 1%, 0.25W	Neohm
R2		3.3K, 1%, 0.25W	Neohm

**Figure 8. Demoboard Layout (Adjustable Version)**



**COMPONENTS SELECTION**

**Input Capacitor**

The input capacitor value depends on a lot of factors such as load transient requirements, input source (battery or DC/DC converter) and its distance from the input cap. Usually a 47µF is enough for any application but a much lower value can be sufficient in many cases.

**Output Capacitor**

The output capacitor choice depends basically on the load transient requirements.

Tantalum, Speciality Polimer, POSCAP and aluminum capacitors are good and offer very low ESR values.

Multilayer ceramic caps have the lowest ESR and can be required for particular applications. Nevertheless in several applications they are ok, the loop stability issue has to be considered (see loop stability section).

Below a list of some suggested capacitor manufacturers.

Manufacturer	Type	Cap Value (µF)	Rated Voltage (V)
PANASONIC	CERAMIC	1 to 47	4 to 16
TAYO YUDEN	CERAMIC	1 to 47	4 to 16
TDK	CERAMIC	1 to 47	4 to 16
TOKIN	CERAMIC	1 to 47	4 to 16
SANYO	POSCAP	1 to 47	4 to 16
PANASONIC	SP	1 to 47	4 to 16
KEMET	TANTALUM	1 to 47	4 to 16

### Loop Stability

The stability of the loop is affected by the zero introduced by the output capacitor.

The time constant of the zero is given by:

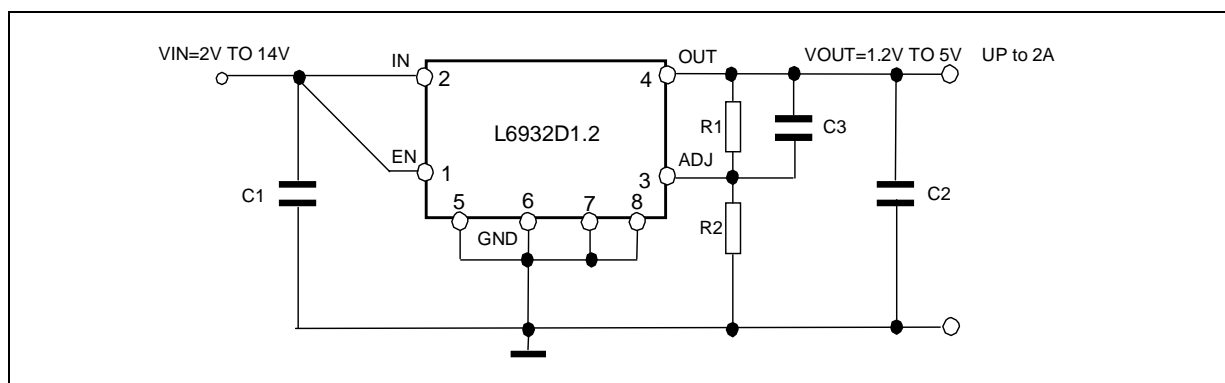
$$T = ESR \cdot C_{OUT} \quad F_{ZERO} = \frac{1}{2\pi \cdot ESR \cdot C_{OUT}}$$

This zero helps to increase the phase margin of the loop until the time constant is higher than some hundreds of nsec, depending also on the output voltage and current.

So, using very low ESR ceramic capacitors could produce oscillations at the output, in particular when regulating high output voltages (adjustable version).

To solve this issue is sufficient to add a small capacitor (e.g. 1nF to 10nF) in parallel to the high side resistor of the external divider, as shown in figure 9.

**Figure 9. Compensation Network**



### Thermal Considerations

Since the device is housed in a small SO(4+2+2) package the thermal issue can be the bottleneck of many applications. The power dissipated by the device is given by:

$$P_{DISS} = (V_{IN} - V_{OUT}) \cdot I_{OUT}$$

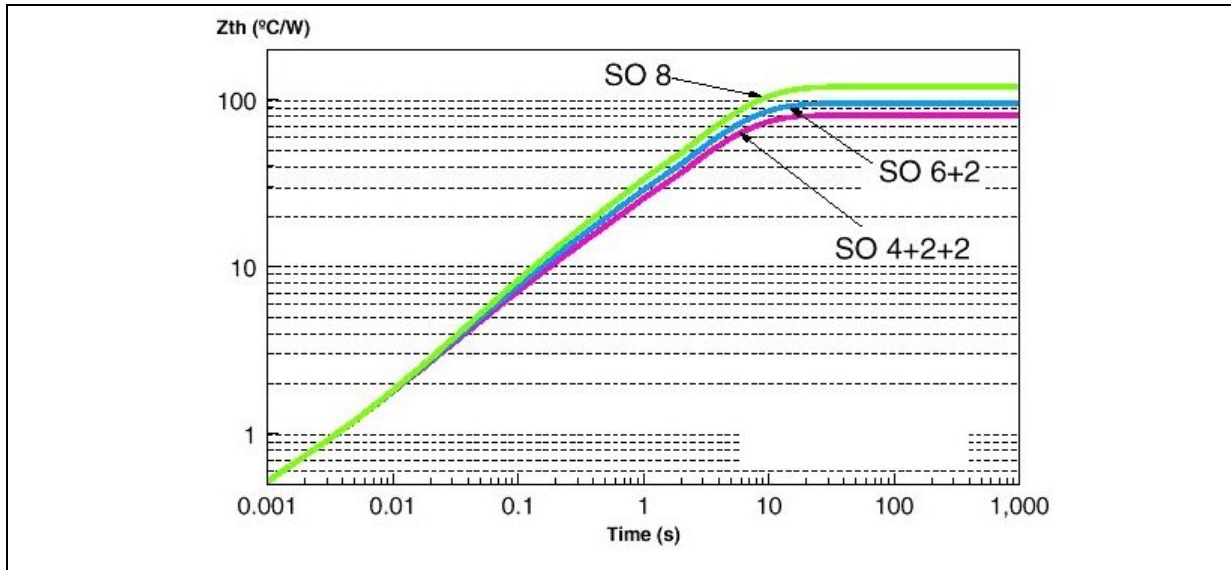
The thermal resistance junction to ambient of the demoboard is approximately 62°C/W. This means that, considering an ambient temperature of 60°C and a maximum junction temperature of 150°C, the maximum power that the device can handle is 1.5W.

This means that the device is able to deliver a DC output current of 2A only with a very low dropout.

In many applications, high output current pulses are required. If their duration is shorter than the thermal constant time of the board, the thermal impedance (not the thermal resistance) has to be considered.

In figure 10 the thermal impedance versus the duration of the current pulse for the SO(4+2+2) mounted on board is shown.

Figure 10. Thermal Impedance



Considering a pulse duration of 1sec, the thermal impedance is close to 20 $^{\circ}C/W$ , allowing much bigger power dissipated.

Example:

$V_{in} = 3.3V$

$V_{out} = 1.8V$

$I_{out} = 2A$

Pulse Duration = 1 sec

The power dissipated by the device is:

$$P_{DISS} = (V_{IN} - V_{OUT}) \cdot I_{OUT} = 1.5 \cdot 2 = 3W$$

Considering a thermal impedance of 20 $^{\circ}C/W$ , the maximum junction temperature will be:

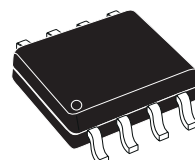
$$T_J = T_A + Z_{THJA} \cdot P_{DISS} = 60 + 20 \cdot 3 = 120^{\circ}C$$

Obviously, with pulse durations longer than approximately 10sec the thermal impedance is very close to the thermal resistance (60 $^{\circ}C/W$  to 70 $^{\circ}C/W$ ).



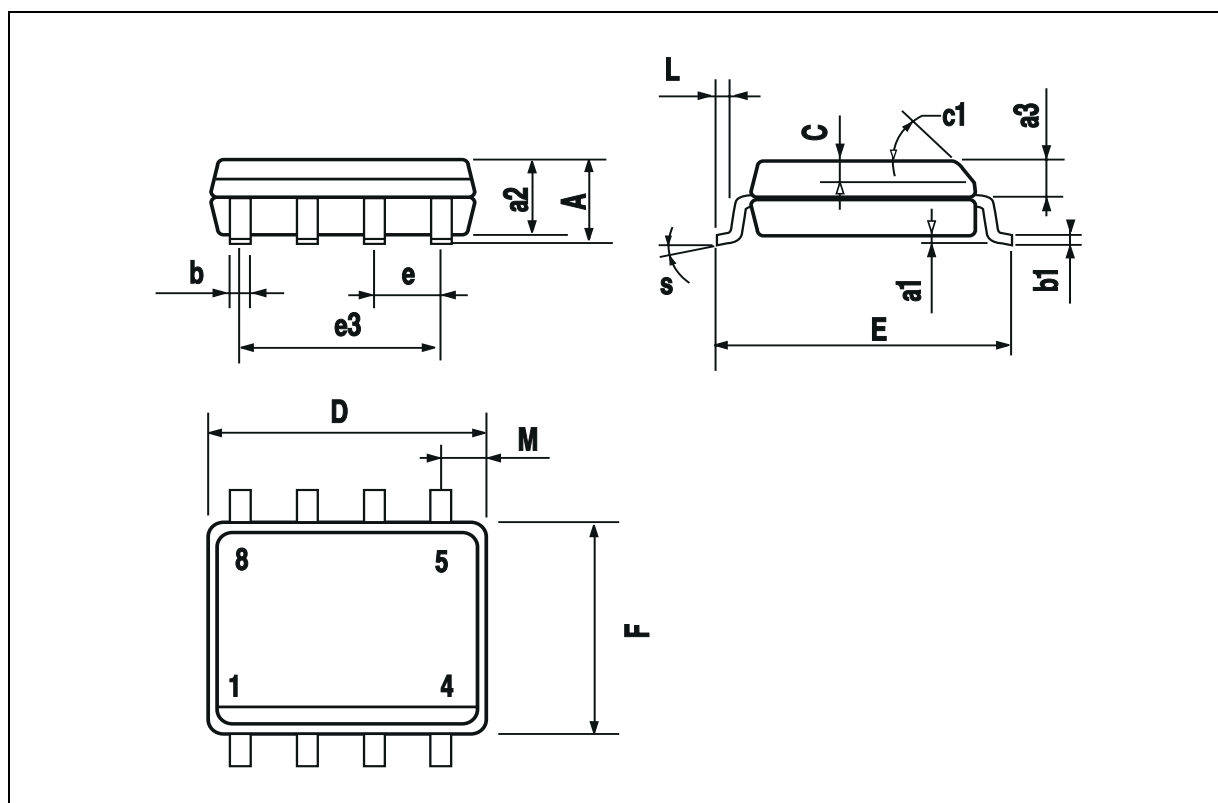
DIM.	mm			inch		
	MIN.	TYP.	MAX.	MIN.	TYP.	MAX.
A			1.75			0.069
a1	0.1		0.25	0.004		0.010
a2			1.65			0.065
a3	0.65		0.85	0.026		0.033
b	0.35		0.48	0.014		0.019
b1	0.19		0.25	0.007		0.010
C	0.25		0.5	0.010		0.020
c1	45° (typ.)					
D (1)	4.8		5.0	0.189		0.197
E	5.8		6.2	0.228		0.244
e		1.27			0.050	
e3		3.81			0.150	
F (1)	3.8		4.0	0.15		0.157
L	0.4		1.27	0.016		0.050
M			0.6			0.024
S	8° (max.)					

## OUTLINE AND MECHANICAL DATA



**SO8**

(1) D and F do not include mold flash or protrusions. Mold flash or protrusions shall not exceed 0.15mm (.006inch).



Information furnished is believed to be accurate and reliable. However, STMicroelectronics assumes no responsibility for the consequences of use of such information nor for any infringement of patents or other rights of third parties which may result from its use. No license is granted by implication or otherwise under any patent or patent rights of STMicroelectronics. Specifications mentioned in this publication are subject to change without notice. This publication supersedes and replaces all information previously supplied. STMicroelectronics products are not authorized for use as critical components in life support devices or systems without express written approval of STMicroelectronics.

The ST logo is a registered trademark of STMicroelectronics  
© 2003 STMicroelectronics - All Rights Reserved

STMicroelectronics GROUP OF COMPANIES  
Australia - Brazil - Canada - China - Finland - France - Germany - Hong Kong - India - Israel - Italy - Japan -Malaysia - Malta - Morocco -  
Singapore - Spain - Sweden - Switzerland - United Kingdom - United States.  
<http://www.st.com>