

# SYT240160A

v10

ShenZhen TCC LCD Hi-Tech CO.,Ltd

TEL:13430801109 075529644106 FAX:27897479

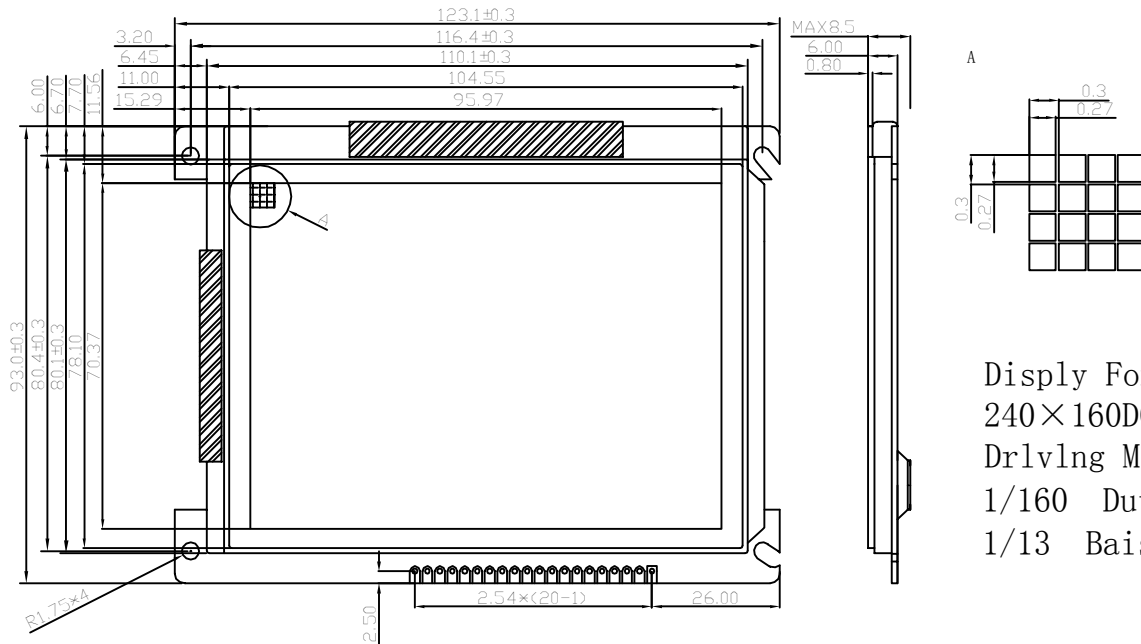
http://www.lcdlcm.net

Email:tccsz@163.com

地址: 深圳市宝安区39区4号厂房2楼



## ① PHYSICAL DIMENSION/外型尺寸



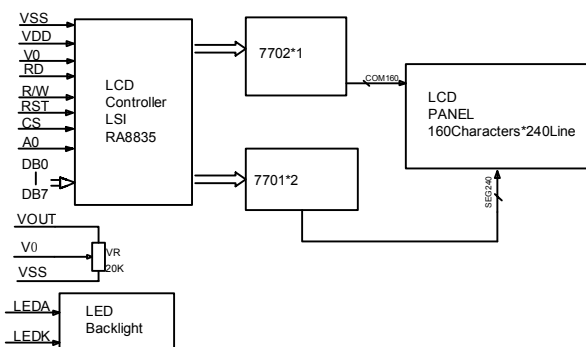
Disply Format  
240×160DOTS  
Drivng Merhod  
1/160 Duty  
1/13 Bais

## ② FEATURES/特征

Feature(特征)	UNIT(单位)
LCD type & Colour(类型及颜色)	STN Yellow-green ;STN Blue ;FSTN
View Angle(视角)	6 0' clock
Operating temperature(工作温度)	-20℃ ---- 70℃
Storage Temperature(贮存温度)	-30℃ ---- 80℃
Control IC & Package(控制芯片及封装)	RA8835 TAB
Weight(重量)	100 (With B/L) g
Backlight(背光类型)	LED

Ta=25℃	MIN(最小)	TYP(典型)	MAX(最大)	UNIT(单位)
Supply current don't contain backlight(无背光时电流)	0	69		mA
VDD(电源)	-0.3	5.0		V
VLCD-V0(LCD驱动电压)	0	19.0		V
Backlight LED (背光电压,电流)	侧背光	0	5.0	V
		0	150	mA
				V
				mA

## ④ BLOCK DIAGRAM/原理电路



## ③ PIN CONFIGURATION/管脚说明

PIN	SYMBOL	DESCRIPTION(定义描述)	
1	VSS	Power ground (地)	
2	VDD	Power positive(逻辑电压)	
3	V0	Operating voltage for LCD Driver(对比度调节)	
4	R/W	Read or Write.(写数据)	
5	RD	Register select(读信号)	
6	CS	Chip select (片选)	
7	A0	H:Data L:Instruction Code(指令 数据信号)	
8	RST	Reset Signal (复位)	
9	DB0	Data bus [0~7]. There state I/O common terminal. (数据线0-7)	
16	DB7		
17	LEDA		Power supply for backligh(+)(背光正极)
18	VOUT		Negative voltage output(负压输出)
19	LEDA		Power supply for backligh(+)(背光正极)
20	LEDK		Power supply for backligh(-)(背光负极)

## ⑤ ELUCIDATION/补充备注