

产 品 规 格 书

SPECIFICATION FOR APPROVAL

产 品 名 称

PRODUCT NAME

压接式条形连接器

产 品 型 号

PRODUCT NUMBER

PH

日 期

DATE

2011.07.01

编 制 ORGANIZER	审 核 CHECK	批 准 APPROVAL

深圳市柏雨电子有限公司

SHEN ZHEN BOYU ELECTRONIC CO., LTD.

地址 ADD:深圳中航路都会电子城四楼 4C035. 4C005

电话 TEL:0755-83044700 83044220 82736085

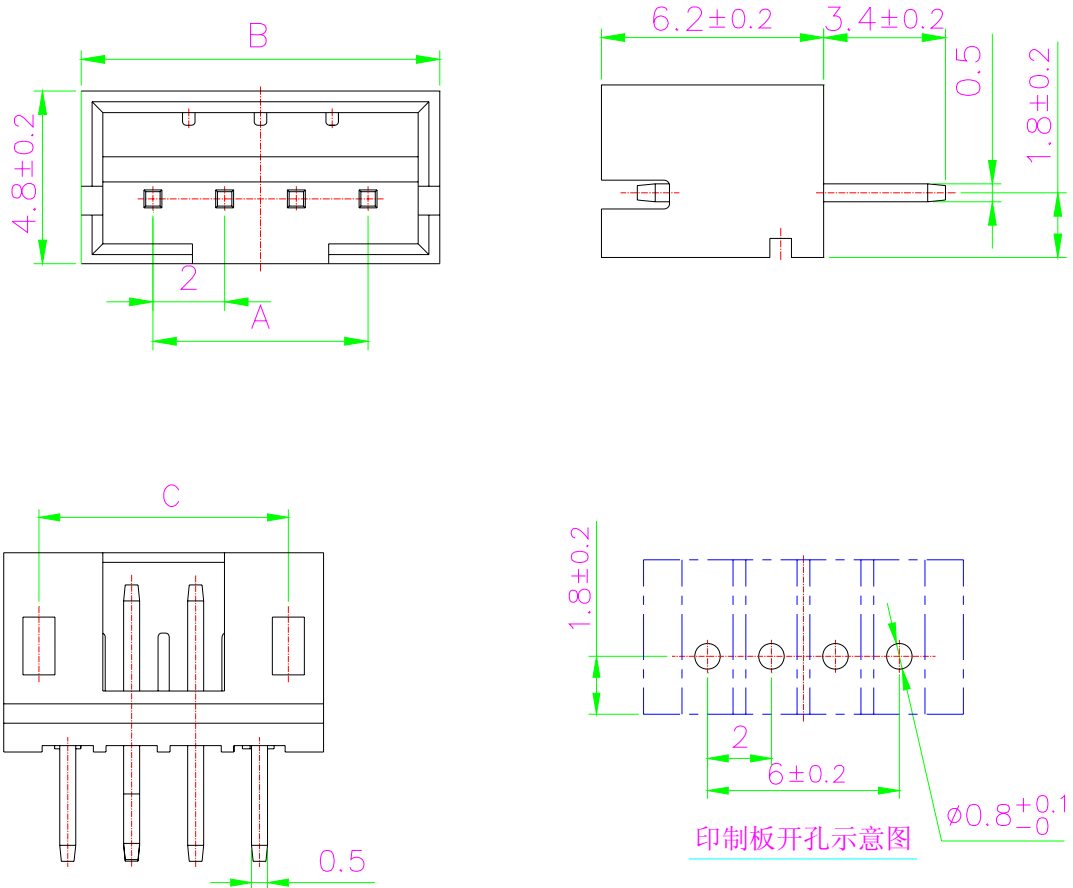
传真 FAX:0755-83957085

邮编 P. C. : 518000

网址 <http://weiboyu.com>

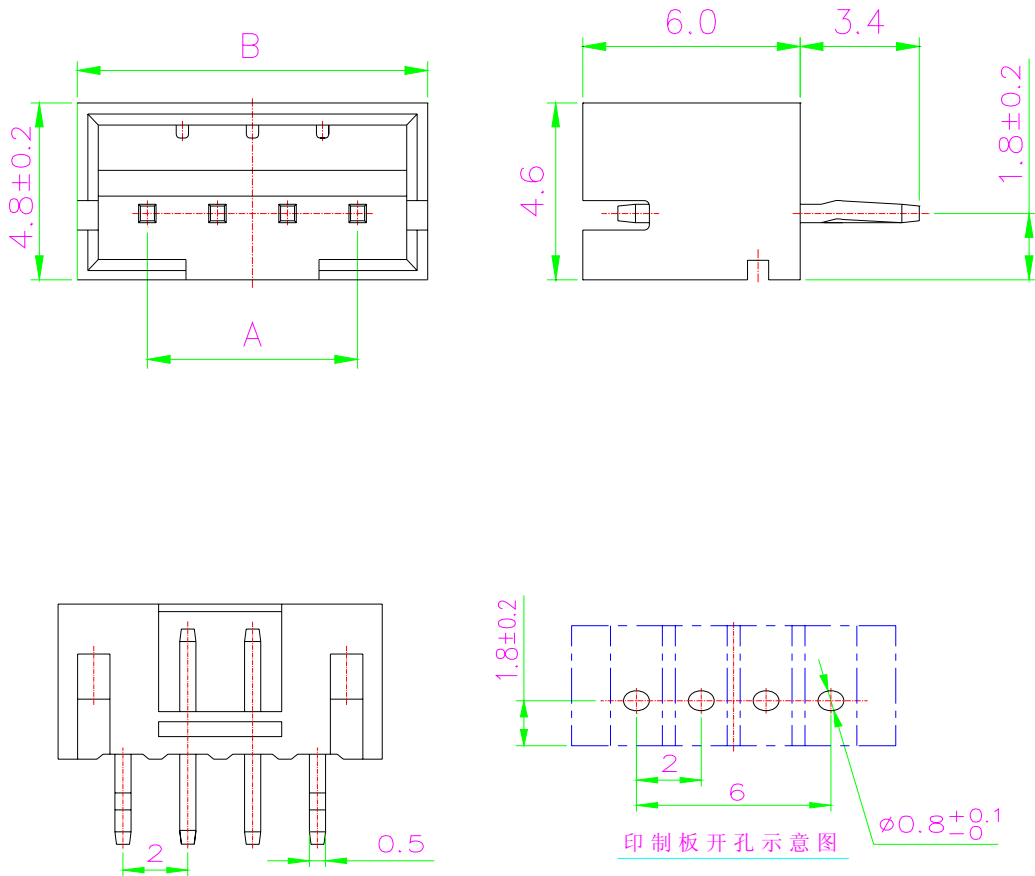
E- MAIL:sz.boyu@qq.com

PH-A



位数	型号	尺寸	
		A	B
2	PH-2A	2.0	6.0
3	PH-3A	4.0	8.0
4	PH-4A	6.0	10.0
5	PH-5A	8.0	12.0
6	PH-6A	10.0	14.0
7	PH-7A	12.0	16.0
8	PH-8A	14.0	18.0
9	PH-9A	16.0	20.0
10	PH-10A	18.0	22.0
11	PH-11A	20.0	24.0
12	PH-12A	22.0	26.0

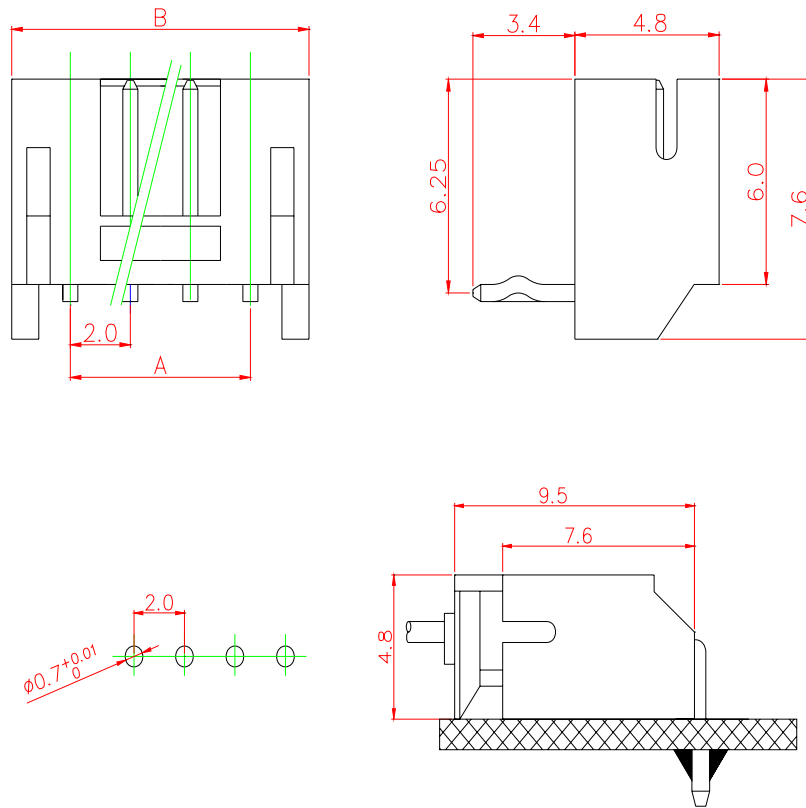
PH-AK



位数	型号	尺寸	
		A	B
2	PH-2AK	2.0	6.0
3	PH-3AK	4.0	8.0
4	PH-4AK	6.0	10.0
5	PH-5AK	8.0	12.0
6	PH-6AK	10.0	14.0
7	PH-7AK	12.0	16.0
8	PH-8AK	14.0	18.0
9	PH-9AK	16.0	20.0
10	PH-10AK	18.0	22.0
11	PH-11AK	20.0	24.0
12	PH-12AK	22.0	26.0

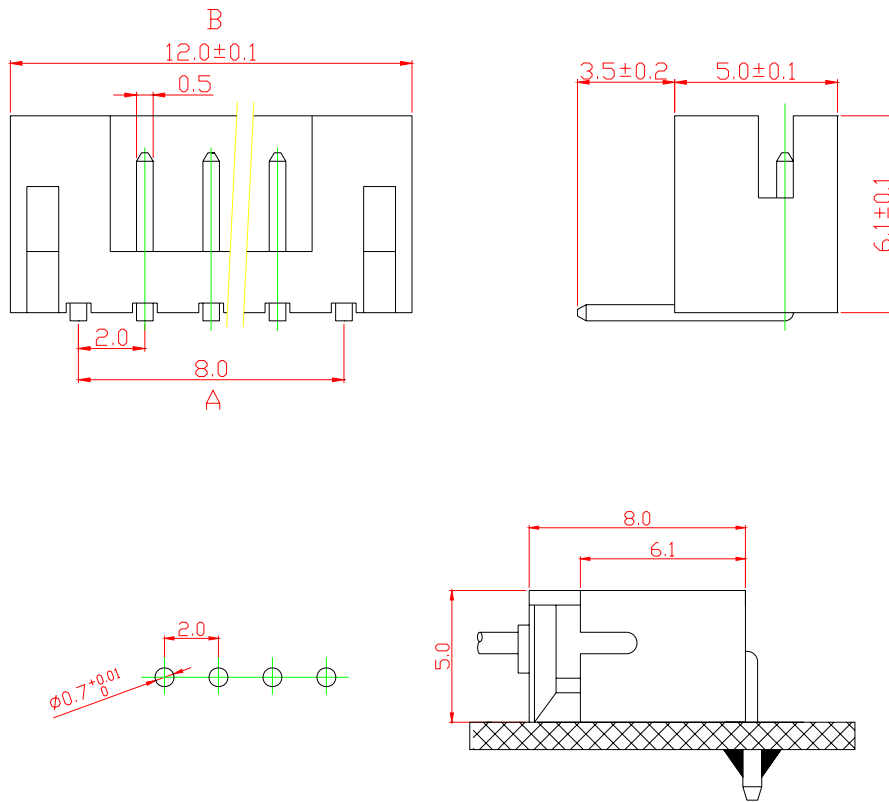
ADD: 深圳中航路都会电子城四楼 4C035. 4C005 TEL: 0755-83044700 83044220 82736085
 FAX: 0755-83957085 P.C.: 518000 http://weiboyu.com E-MAIL: sz.boyu@qq.com

PH-AWD



位数	型号	尺寸	
		A	B
2	PH-2AWD	2.0	6.0
3	PH-3AWD	4.0	8.0
4	PH-4AWD	6.0	10.0
5	PH-5AWD	8.0	12.0
6	PH-6AWD	10.0	14.0
7	PH-7AWD	12.0	16.0
8	PH-8AWD	14.0	18.0
9	PH-9AWD	16.0	20.0
10	PH-10AWD	18.0	22.0
11	PH-11AWD	20.0	24.0
12	PH-12AWD	22.0	26.0

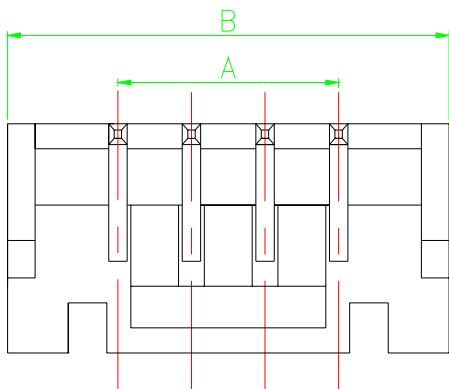
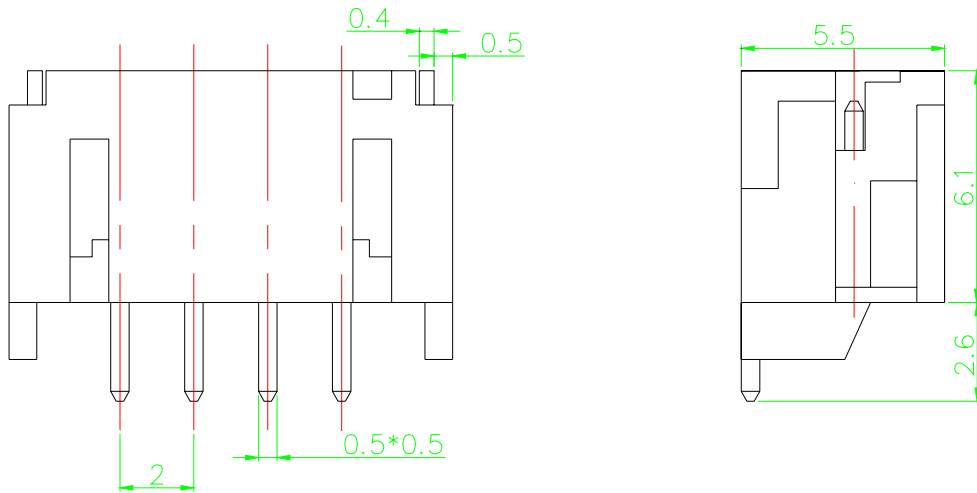
PH-AW



安装图

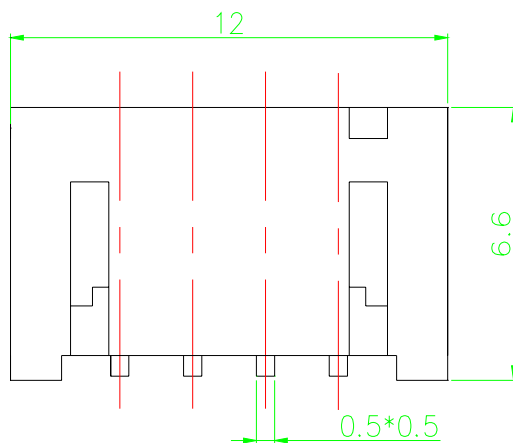
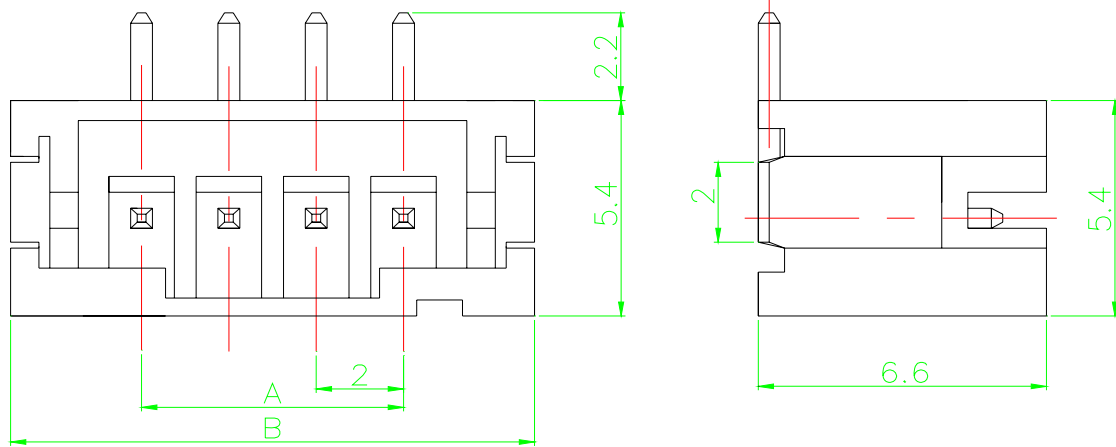
位数	型号	尺寸	
		A	B
2	PH-2AW	2.0	6.0
3	PH-3AW	4.0	8.0
4	PH-4AW	6.0	10.0
5	PH-5AW	8.0	12.0
6	PH-6AW	10.0	14.0
7	PH-7AW	12.0	16.0
8	PH-8AW	14.0	18.0
9	PH-9AW	16.0	20.0
10	PH-10AW	18.0	22.0
11	PH-11AW	20.0	24.0
12	PH-12AW	22.0	26.0

PH-AWT



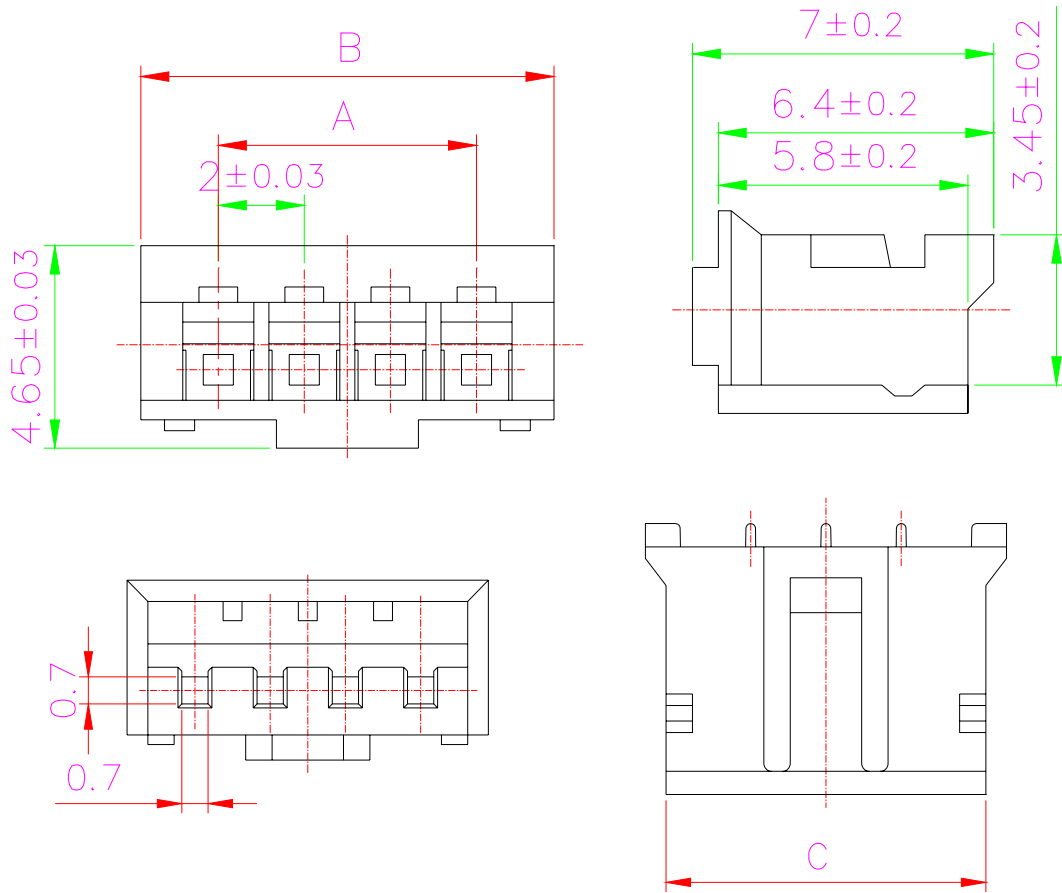
位数	型号	尺寸	
		A	B
2	PH-2AWT	2.0	8.0
3	PH-3AWT	4.0	10.0
4	PH-4AWT	6.0	12.0
5	PH-5AWT	8.0	14.0
6	PH-6AWT	10.0	16.0
7	PH-7AWT	12.0	18.0
8	PH-8AWT	14.0	20.0
9	PH-9AWT	16.0	22.0
10	PH-10AWT	18.0	24.0
11	PH-11AWT	20.0	26.0
12	PH-12AWT	22.0	28.0

PH-AT



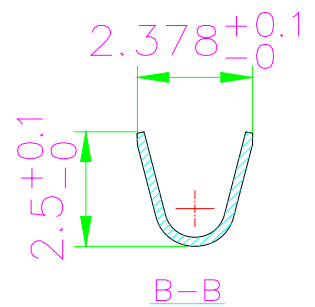
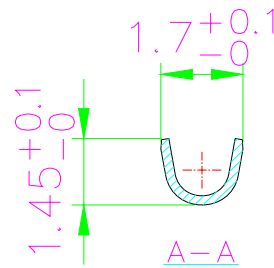
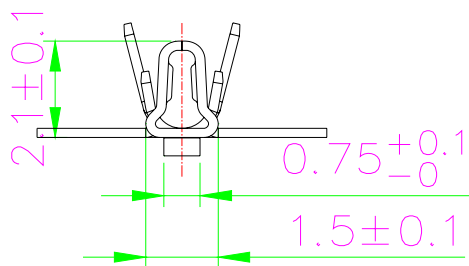
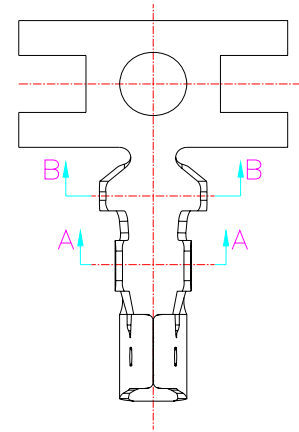
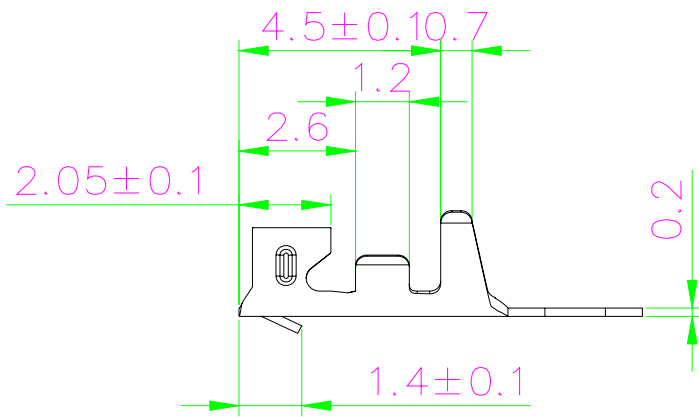
位数	型号	尺寸	
		A	B
2	PH-2AT	2.0	8.0
3	PH-3AT	4.0	10.0
4	PH-4AT	6.0	12.0
5	PH-5AT	8.0	14.0
6	PH-6AT	10.0	16.0
7	PH-7AT	12.0	18.0
8	PH-8AT	14.0	20.0
9	PH-9AT	16.0	22.0
10	PH-10AT	18.0	24.0
11	PH-11AT	20.0	26.0
12	PH-12AT	22.0	28.0

PH-Y



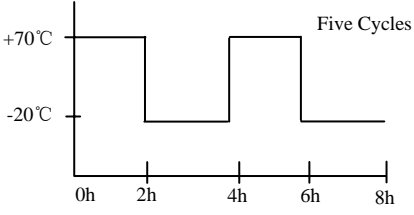
位数	型号	尺寸		
		A	B	C
2	PH-2Y	2.0	5.6	4.5
3	PH-3Y	4.0	7.6	6.5
4	PH-4Y	6.0	9.6	8.5
5	PH-5Y	8.0	11.6	10.5
6	PH-6Y	10.0	13.6	12.5
7	PH-7Y	12.0	15.6	14.5
8	PH-8Y	14.0	17.6	16.5
9	PH-9Y	16.0	19.6	18.5
10	PH-10Y	18.0	21.6	20.5
11	PH-11Y	20.0	23.6	22.5
12	PH-12Y	22.0	25.6	24.5

PH-T



ITEM 项目	TEST CONDITIONS 测试条件	PERFORMANCE 性能要求
1. ELECTRICAL PERFORMANCE 电气性能 1.1、VOLTAGE RATING 额定电压：50V AC/DC 50Hz (RMS) 1.2、CURRENT RATING 额定电流：0.5A AC/DC		
1A	CONTACT RESISTANCE 接触电阻 BEING MEASURED AT 1K Hz±200Hz AT NO LOAD 在 1KHz±200Hz 无载条件下测量	0.02 Ω Max. 0.02 Max.
1B	INSULATION RESISTANCE 绝缘电阻 APPLY DC 500V BETWEEN ANY TWO OPEN TERMINALS AND BETWEEN THE TERMINAL AND THE FRAME FOR 30 SECOND 在 DC 500V 条件下测任意两个端子之间绝缘电阻持续 30 秒	1000M Ω Min. 1000M Ω Min.
1C	WITHSTAND VOLTAGE 耐压 APPLY 500V AC(RMS) BETWEEN ANY OPEN TERMINALS AND BETWEEN THE TERMINAL & THE FRAME, FOR 60 SECOND 在端子之间加 500V AC 电压，持续 60 秒	SHALL BE FREE FROM DIELECTIC BREAKAGE 无击穿现象出现及飞弧闪烁发生
2. MECHANICAL PERFORMANCE 机械性能		
2A	TERMINAL STRENGTH 端子强度 A STATIC FORCE OF 5N BEING APPLIED IN ONE DIRECTION ON THE TIP OF THE TERMINAL FOR 30 SECOND 一个 5N 的静负荷垂直施加在端子顶部方向上持续 30 秒	THE TERMINAL MAY BE DEFORMED, BUT SHALL NOT SUSTAIN ANY TROUBLE AS DEVIATION AND BREAKING OF INSULATION MATERIAL ELECTRICAL PERFORMANCE OF THE ABOVE ITEM 4 SHALL BE ASSURED 端子无脱落、松动、塑件体无破裂，并且满足各项电气性能，端子可允许有变形。

ITEM 项目		TEST CONDITIONS 测试条件	PERFORMANCE 规格
3. DURABILITY 耐久性			
3A	LIFE TEST 寿命试验	AT THE CONDITIONS OF 250V DC 3A , 50,000 CYCLES OPERATING AT A RATE OF 15-20 CYCLES PER MINUTE 在 250V DC 3A 负载条件下, 以操作频率为 15-20 次插拔产品 50,000 次	(1)CONTACT RESISTANCE 0.03Ω Max. 接触电阻 0.03Ω Max. (2)INSULATION RESISTANCE 500MΩ Min. 绝缘电阻 500 MΩ Min. (3)WITHSTAND VOLTAGE 500VAC FOR 1 MINUTE 耐电压 500V AC 于 1 分钟 (4)OPERATING FORCE ±30% INITIAL VALUE 动作力变化范围初始值±30% (5)THERE SHALL BE NO DEFECTS IN APPEARANCE OR IN THE MECHANICAL FUNCTIONS 测试后外表无损伤, 并且满足机械性能
3B	HEAT TEST 高温试验	70±2℃ FOR 16 HOURS, AFTER TEST KEPT IN NORMAL CONDITION FOR 60 MINUTES 在 70±2℃环境中放 16 小时, 再放在正常 环境中 60 分钟后进行测试	WITHOUT HARMFUL DAMAGE IN APPEARANCE, MECHANICAL AND ELECTRICAL CHARACTERISTICS SHALL BE SATISFIED 外表未被破坏, 机械及电气性能可被满 足
3C	HUMIDITY TEST 耐湿热性试验	40±2℃、90-95%(RH) FOR 96 HOURS, AFTER TEST KEPT IN NORMAL CONDITION FOR 60 MINUTES 在 40±2℃、90-95%的相对湿度环境中 96 小时, 再放在正常环境 60 分钟后进行测试	CONTACT RESISTANCE 0.02Ω Max. 接触电阻 0.02Ω Max.
3D	COLD TEST 低温试验	-20℃ ± 2℃ FOR 4 HOURS, AFTER TEST KEPT IN NORMAL CONDITION FOR 60 MINUTES 在-20℃±2℃环境中放 4 小时, 再放在正 常环境中 60 分钟后进行测试	INSULATION RESISTANCE 1000MΩ Min. 绝缘电阻 1000 MΩ Min.

ITEM 项目	TEST CONDITIONS 测试条件	PERFORMANCE 规格	
3. DURABILITY 耐久性			
3E	<p>TEMPERATURE CYCLING TEST 高低温循环试验</p> <p>(TEMPERATURE)</p>  <p>THE CONNECTOR SHALL BE SUBJECTED TO CONDITIONS AS SHOWN IN UP, AND SHALL RETURNED AND ALLOWED TO REMAIN IN AMBIENT CONDITION FOR 2 HOURS 连接器按以上图示所示条件进行测试，测试后环境温度条件保持 2 小时。</p>	<p>1、THE CONNECTOR SHALL BE SATISFIED WITH ITEM 1C AND ITEM 2A;</p> <p>2、INSULATION RESISTANCE: 500MΩ Min.</p> <p>3、CONTACT RESISTANCE: 0.03Ω Min.</p> <p>1、产品应满足检测项目 1C 和 2A</p> <p>2、绝缘电阻最小 500MΩ</p> <p>3、接触电阻最大 0.03Ω</p>	
3F	<p>SALT MIST TEST 盐雾试验</p> <p>TESTING BATH: 1、TEMPERATURE: 35±2℃; 2、SALT WATER DEEPNESS: 5±1%; 3、TEST TIME: 48±4 HOURS;</p> <p>测试方法: 1、测试温度要求为 35±2℃; 2、盐水配比浓度为 5±1%; 3、测试时间为 48±4 HOURS;</p>	<p>APPEARANCE 外观</p>	<p>NO DAMAGE 无损坏和明显腐蚀</p>
		<p>CONTACT RESISTANCE 接触电阻</p>	<p>0.05Ω Max.</p>
3G	<p>SOLDERABILITY TEST 可焊性</p> <p>THE TIP OF THE TERMINALS SHALL BE DIPPED 2mm IN THE SOLDER BATH AT A TEMPERATURE OF 235 ± 5 °C FOR 50.5 SECONDS 端子顶部被浸入锡焊池中 2mm 深，温度为 235±5℃，时间为 5±0.5 秒</p>	<p>A NEW UNIFORM COATING OF SOLDER SHALL COVER A MINIMUM OF 90% OF THE SURFACE BEING IMMersed</p> <p>浸入部分的以 90% 上表面被焊锡覆盖</p>	
3H	<p>RESISTANCE TO SOLDERING HEAT TEST 耐焊接热</p> <p>THE TIP OF THE TERMINALS SHALL BE DIPPED 2mm IN THE SOLDER BATH AT A TEMPERATURE OF 260 ± 5 °C , FOR 4 ± 1 SECONDS 端子顶部被浸入锡焊池中 2mm 深，温度为 260±5℃，时间为 4±1 秒</p>	<p>WITHOUT HARMFUL DAMAGE IN APPEARANCE, MECHANICAL AND ELECTRICAL CHARACTERISTICS SHALL BE SATISFIED 外表未被破坏，机械及电气性能可被满足</p>	

ITEM 项目		TEST CONDITIONS 测试条件	PERFORMANCE 规格
3. DURABILITY 耐久性			
3I	VIBRATION 震动试验	TOTAL AMPLITUDE: 2mm SWEEP RATIO: 40Hz THE ABOVE CONDITIONS SHALL BE APPLIDE FOR A PERIOD OF 5 MINUTES IN EACH OF 3 MUTUALLY PERPENDICULAR AXIS 振幅: 2 毫米 ; 频率: 40Hz ; 三个方向 每次循环 5 分钟, 共五次	CONTACT RESISTANCE : 0.02 Ω Max. 接触电阻: 0.02 Ω Max.
3J	SHOCK 碰撞试验	THE SHOCK OF 100G SHOCK BE APPLIED 1000 TIMES IN EACH OF 3 MUTUALLY PERPENDICULAR AXIS 加速度 100m/s ² , 持续时间 11ms, 共 1000 次	CONTACT RESISTANCE : 0.02 Ω Max 接触电阻: 0.02 Ω Max.
3K	PRACTICAL TEMPERATURE 使用温度范围	-25 °C TO +85°C -25°C~+85°C温度	