

**Satellite + Subwoofer 3-Speaker System Electronics Crossover IC****PT2353**

## DESCRIPTION

PT2353 is a 3-speaker system electronic crossover IC utilizing CMOS Technology specially designed for the new generation of audio equipments. 3-channel electronic volume control, 2-channel 2nd order high pass filter, 2nd order low pass filter and one mono subwoofer audio output are incorporated into a single high performance chips. PT2353 combines the electronic volume controller and crossover circuitry without MCU handling. Pin assignments and application circuit are optimized for easy PCB layout and cost saving advantages.

## FEATURES

- CMOS Technology
- Low Power Consumption
- 2 Built-in Individual Volume Control: 0 dB to -60dB
- 2-Channel 2nd Order High Pass Filter + 1 Mixed Mono Subwoofer Low Pass Filter
- Cross-Over Frequency adjustable by external passive components
- Control Interface of Volume Control: UP/DOWN Key (MCU is not necessary)
- Built-in 3D Effect and Loudness Function
- Supply Voltage: 5V to 9V

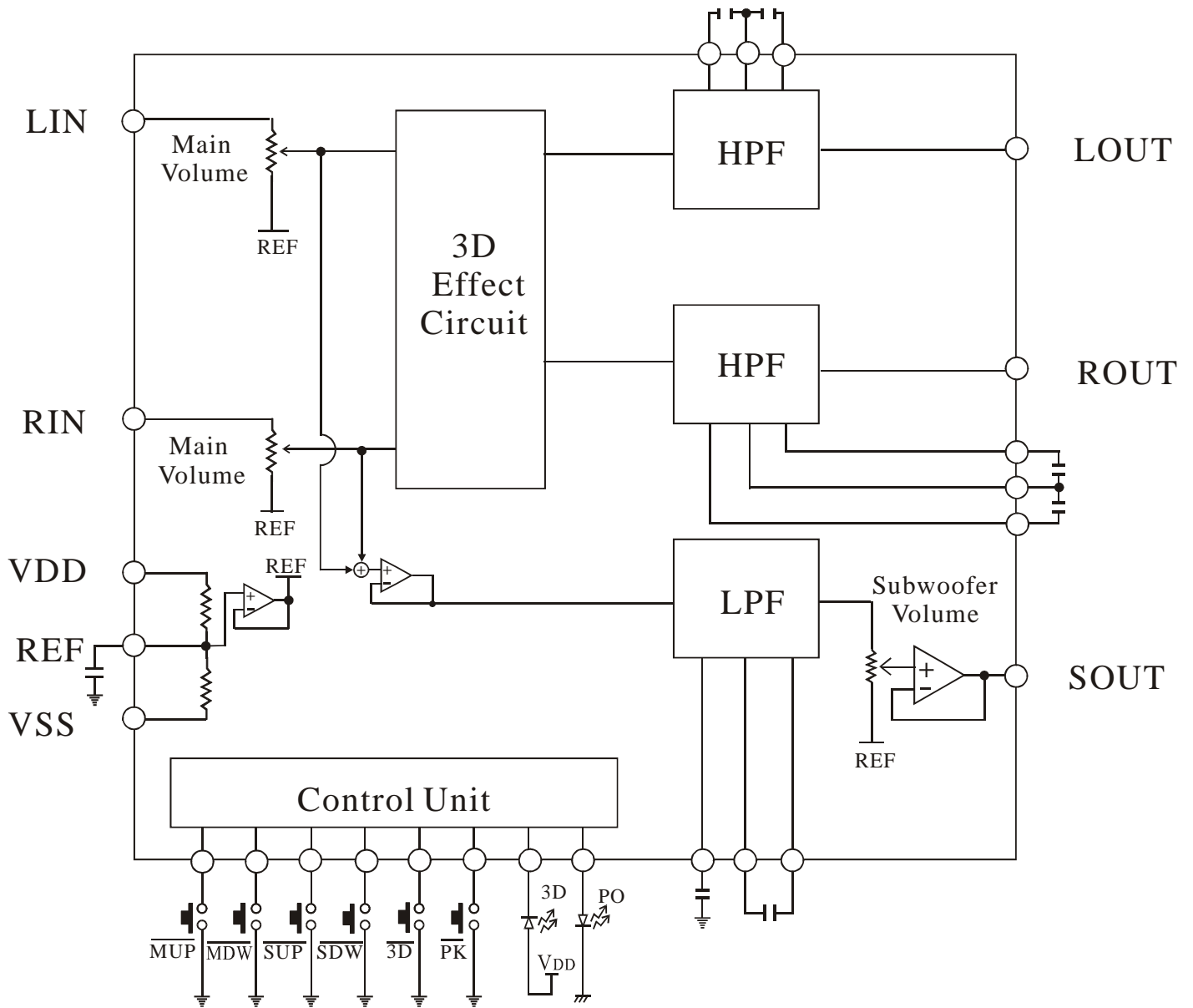
## APPLICATION

- Audio Equipments

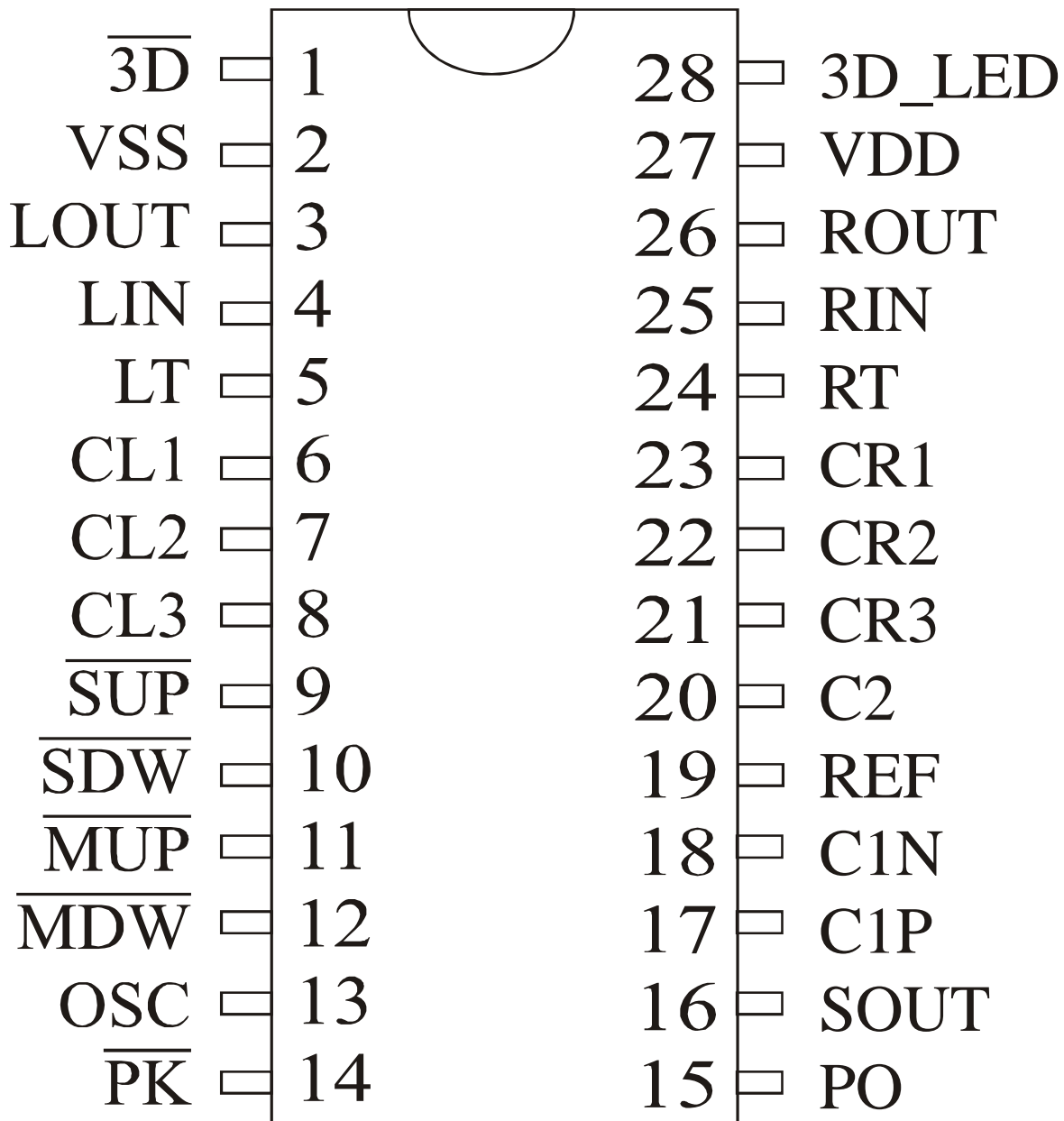
Satellite + Subwoofer 3-Speaker System Electronics Crossover IC

PT2353

BLOCK DIAGRAM



**PIN CONFIGURATION**

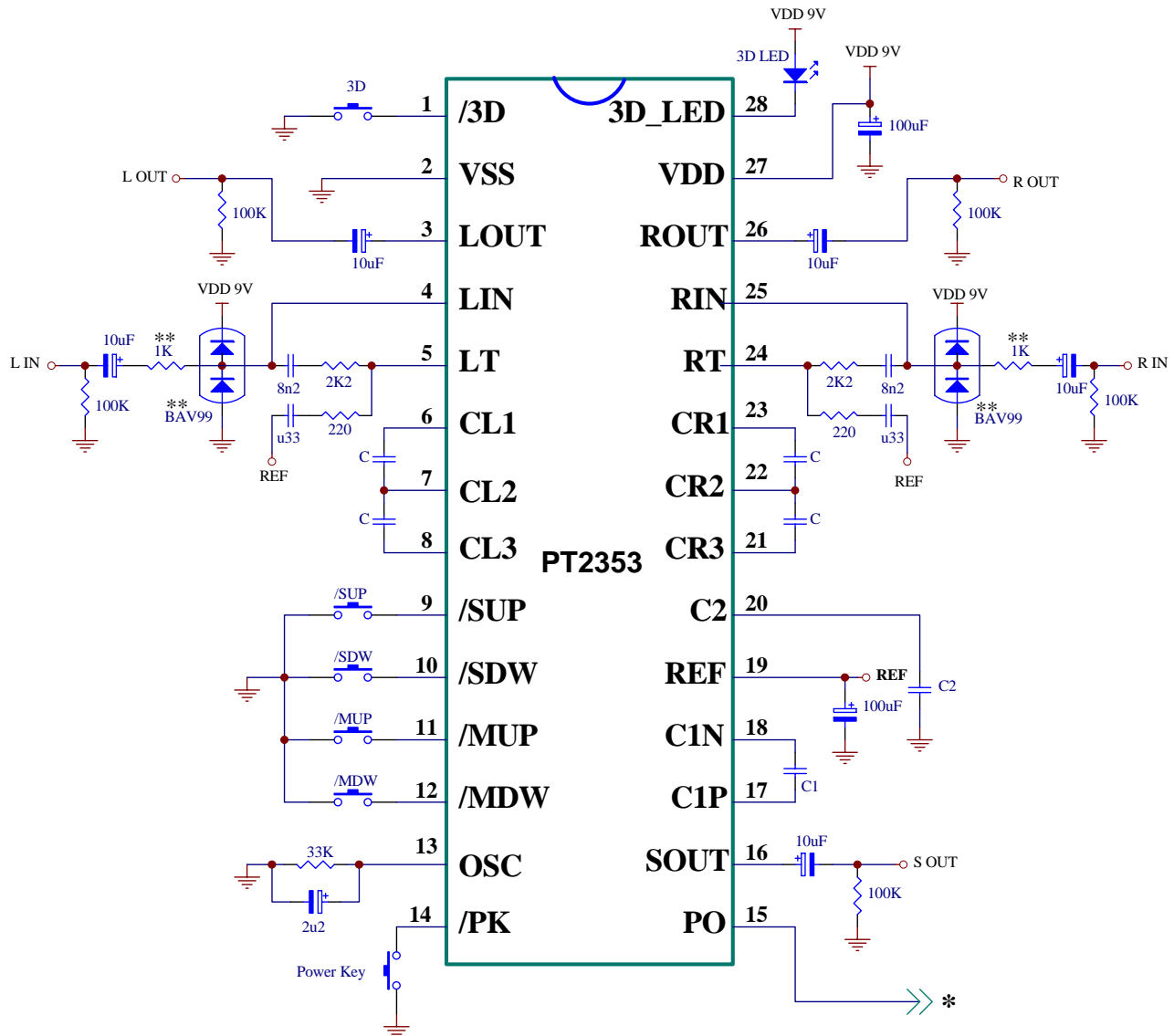


**PT2353**

Satellite + Subwoofer 3-Speaker System Electronics Crossover IC

PT2353

APPLICATION CIRCUIT



Notes:

1. Please refer to the PT2353 Crossover Frequency Response Curve for the values of C, C1, and C2.
2. Please refer to Power Control (PO) Section of this document.
3. \*\* For input port high voltage pulse protection.

## ORDER INFORMATION

Valid Part Number	Package Type
PT2353	28 Pins, DIP Package (600 mil)
PT2353-S	28 Pins, SO Package (300 mil)