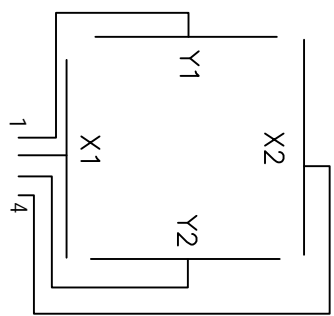
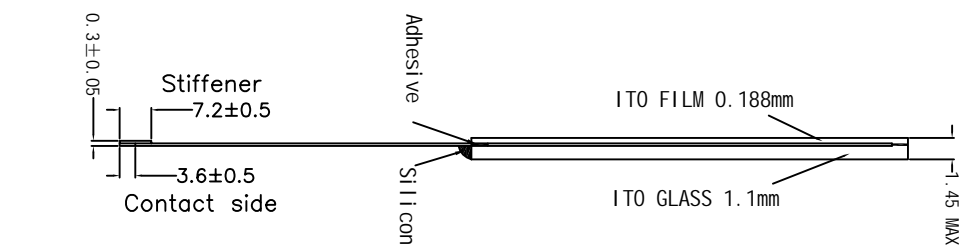
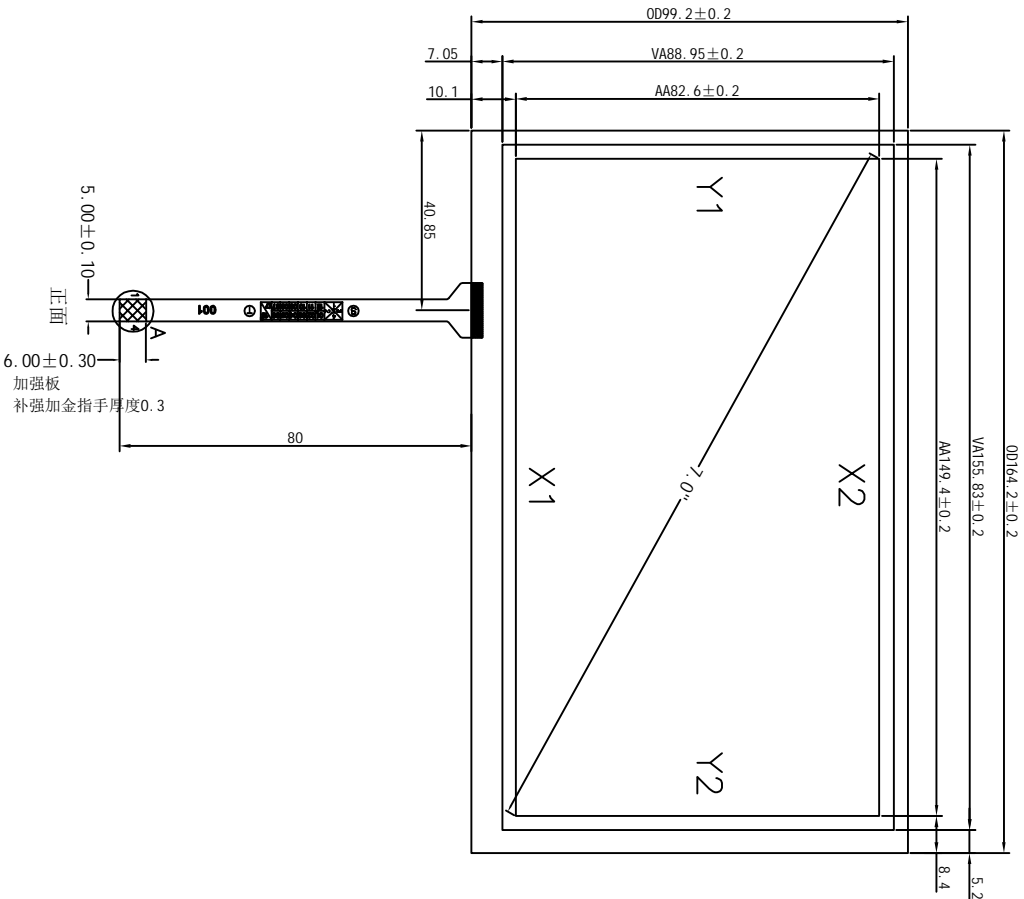
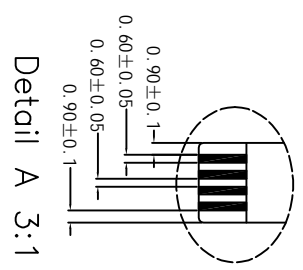


REV	MARK	HISTORY	DATE	NAME
-----	------	---------	------	------



PIN	WIRING
1	Y1
2	X1
3	Y2
4	X2



- NOTES:
1. ITO Film: Clear hard coating & anti-Newton Ring;
 2. Tail Type : FPC By Golden Plated
 3. Transparency: $\geq 78\%$
 4. Linearity: $\leq 1.2\%$;
 5. Surface Hardness: $\geq 3H$
 6. Terminal resistance: (1) TOP: 400 -1000 Ω
(2) Bottom: 150 -600 Ω
 7. Operation Temperature: -20° C-+70° C.
Storage Temperature: -30° C-+80° C.
 8. All materials in the drawing comply with the ROHS

惠州深拓光电有限公司
HUZHOU SHEN TUO TOUCH&E SCIENCE-TECHNOLOGY Co.,Ltd.

Unspecif Field Tolerance ± 0.20
DESIGNED BY: ST-07001C
VERSION: VERSION
NO. 1 OF 1

CHECKED BY:
UNIT: MM
DATE: 2018-2-24