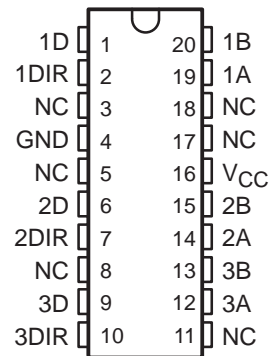


SN75ALS170, SN75ALS170A TRIPLE DIFFERENTIAL BUS TRANSCEIVER

SLLS055D – AUGUST 1987 – REVISED SEPTEMBER 1995

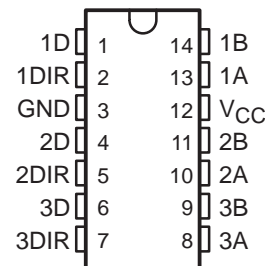
- Three Bidirectional Transceivers
- Driver Meets or Exceeds ANSI Standard EIA/TIA-422-B and RS-485 and ITU Recommendation V.11
- Two Skew Limits Available
- Designed to Operate Up to 20 Million Data Transfers per Second (FAST-20 SCSI)
- High-Speed Advanced Low-Power Schottky Circuitry
- Designed for Multipoint Transmission on Long Bus Lines in Noisy Environments
- Wide Positive and Negative Input/Output Bus Voltage Ranges
- Driver Output Capacity . . . ± 60 mA
- Thermal Shutdown Protection
- Driver Positive- and Negative-Current Limiting
- Receiver Input Impedances . . . 12 k Ω Min
- Receiver Input Sensitivity . . . ± 300 mV Max
- Receiver Input Hysteresis . . . 60 mV Typ
- Operate From a Single 5-V Supply
- Glitch-Free Power-Up and Power-Down Protection
- Feature Independent Direction Controls for Each Channel

DW PACKAGE
(TOP VIEW)



NC – No internal connection

J PACKAGE
(TOP VIEW)



description

The SN75ALS170 and SN75ALS170A triple differential bus transceivers are monolithic integrated circuits designed for bidirectional data communication on multipoint bus transmission lines. It is designed for balanced transmission lines and the driver meets ANSI Standards EIA/TIA-422-B and RS-485 and both the driver and receiver meet ITU Recommendation V.11. The SN75ALS170A is designed for FAST-20 SCSI and can transmit or receive data pulses as short as 30 ns with a maximum skew of 5 ns.

The SN75ALS170 and SN75ALS170A operate from a single 5-V power supply. The drivers and receivers have active-high and active-low enables, respectively, which are internally connected together to function as a direction control. The driver differential outputs and the receiver differential inputs are connected internally to form differential input/output (I/O) bus ports that are designed to offer minimum loading to the bus when the driver is disabled or $V_{CC} = 0$. These ports feature wide positive and negative common-mode voltage ranges making the device suitable for party-line applications.

The SN75ALS170 and the SN75ALS170A are characterized for operation from 0°C to 70°C.

AVAILABLE OPTIONS

SKEW LIMIT	PART NUMBER	
10 ns	SN75ALS170DW	SN75ALS170J
5 ns	SN75ALS170ADW	



Please be aware that an important notice concerning availability, standard warranty, and use in critical applications of Texas Instruments semiconductor products and disclaimers thereto appears at the end of this data sheet.

PRODUCTION DATA information is current as of publication date. Products conform to specifications per the terms of Texas Instruments standard warranty. Production processing does not necessarily include testing of all parameters.

 **TEXAS
INSTRUMENTS**

POST OFFICE BOX 655303 • DALLAS, TEXAS 75265

Copyright © 1995, Texas Instruments Incorporated

SN75ALS170, SN75ALS170A TRIPLE DIFFERENTIAL BUS TRANSCEIVER

SLLS055D – AUGUST 1987 – REVISED SEPTEMBER 1995

Function Tables

EACH DRIVER

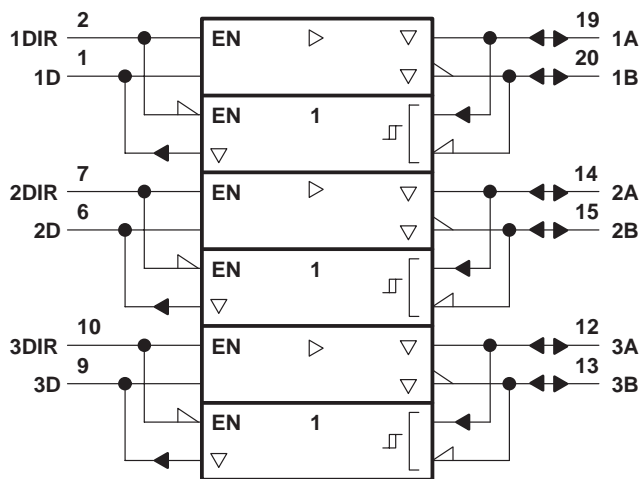
INPUT D	DIR	OUTPUTS	
		A	B
H	H	H	L
L	H	L	H
X	L	Z	Z

EACH RECEIVER

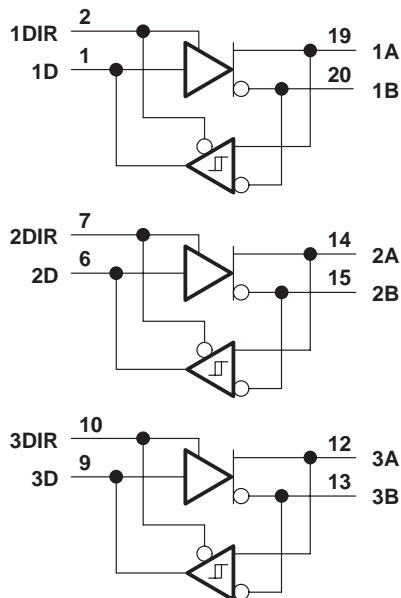
DIFFERENTIAL INPUTS A – B	DIR	OUTPUT R
$V_{ID} \geq 0.3 V$	L	H
$-0.3 V < V_{ID} < 0.3 V$	L	?
$V_{ID} \leq -0.3 V$	L	L
X	H	Z
Open	L	H

H = high level, L = low level, ? = indeterminate,
X = irrelevant, Z = high impedance (off)

logic symbol†



logic diagram (positive logic)



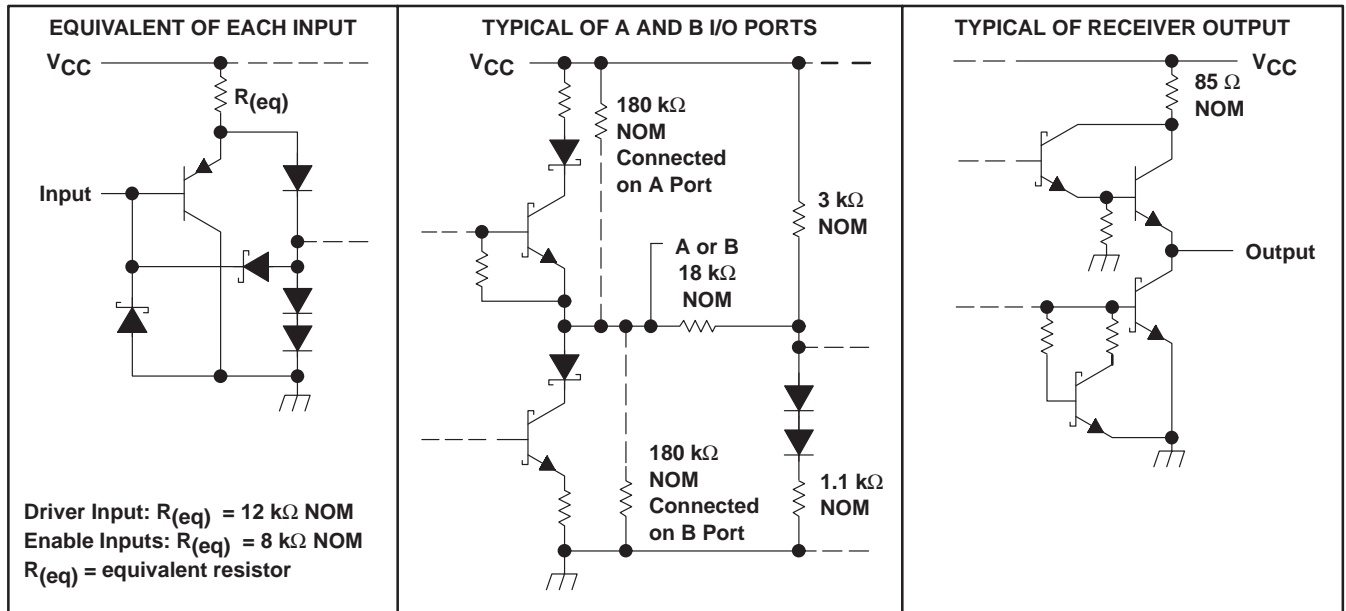
† This symbol is in accordance with ANSI/IEEE Std 91-1984 and IEC Publication 617-12.

Pin numbers shown are for the DW package.

SN75ALS170, SN75ALS170A TRIPLE DIFFERENTIAL BUS TRANSCEIVER

SLLS055D – AUGUST 1987 – REVISED SEPTEMBER 1995

schematics of inputs and outputs



absolute maximum ratings over operating free-air temperature range (unless otherwise noted)†

Supply voltage, V_{CC} (see Note 1)	7 V
Voltage range at any bus terminal	-7 V to 12 V
Enable input voltage, V_I	5.5 V
Continuous total power dissipation	See Dissipation Rating Table
Operating free-air temperature range, T_A	0°C to 70°C
Storage temperature range, T_{stg}	-65°C to 150°C
Lead temperature 1,6 mm (1/16 inch) from case for 10 seconds: DW package	260°C
Lead temperature 1,6 mm (1/16 inch) from case for 60 seconds: J package	300°C

† Stresses beyond those listed under "absolute maximum ratings" may cause permanent damage to the device. These are stress ratings only, and functional operation of the device at these or any other conditions beyond those indicated under "recommended operating conditions" is not implied. Exposure to absolute-maximum-rated conditions for extended periods may affect device reliability.

NOTE 1: All voltage values, except differential I/O bus voltage, are with respect to network ground terminal.

DISSIPATION RATING TABLE

PACKAGE	$T_A \leq 25^\circ\text{C}$ POWER RATING	DERATING FACTOR ABOVE $T_A = 25^\circ\text{C}$	$T_A = 70^\circ\text{C}$ POWER RATING
DW	1125 mW	9.0 mW/°C	720 mW
J	1025 mW	8.2 mW/°C	656 mW

SN75ALS170, SN75ALS170A TRIPLE DIFFERENTIAL BUS TRANSCEIVER

SLLS055D – AUGUST 1987 – REVISED SEPTEMBER 1995

recommended operating conditions

		MIN	TYP	MAX	UNIT
Supply voltage, V_{CC}		4.75	5	5.25	V
Voltage at any bus terminal (separately or common mode), V_I or V_{IC}		12			V
		-7			
High-level input voltage, V_{IH}	D, DIR	2			V
Low-level input voltage, V_{IL}	D, DIR	0.8			V
Differential input voltage, V_{ID} (see Note 2)		± 12			V
High-level output current, I_{OH}	Driver	-60			mA
	Receiver	-400			μ A
Low-level output current, I_{OL}	Driver	60			mA
	Receiver	8			
Operating free-air temperature, T_A		0	70		$^{\circ}$ C

NOTE 2: Differential-input/output bus voltage is measured at the noninverting terminal A with respect to the inverting terminal B.



SN75ALS170, SN75ALS170A TRIPLE DIFFERENTIAL BUS TRANSCEIVER

SLLS055D – AUGUST 1987 – REVISED SEPTEMBER 1995

DRIVER SECTION

electrical characteristics over recommended ranges of supply voltage and operating free-air temperature (unless otherwise noted)

PARAMETER		TEST CONDITION†	MIN	TYP‡	MAX	UNIT
V_{IK}	Input clamp voltage	$I_I = -19 \text{ mA}$			-1.5	V
V_O	Output voltage	$I_O = 0$	0		6	V
V_{OH}	High-level output voltage	$V_{CC} = 4.75 \text{ V}$, $V_{IL} = 0.8 \text{ V}$, $V_{IH} = 2 \text{ V}$, $I_{OH} = -55 \text{ mA}$	2.7			V
V_{OL}	Low-level output voltage	$V_{CC} = 4.75 \text{ V}$, $V_{IL} = 0.8 \text{ V}$, $V_{IH} = 2 \text{ V}$, $I_{OL} = 55 \text{ mA}$			1.7	V
$ V_{OD1} $	Differential output voltage	$I_O = 0$	1.5		6	V
$ V_{OD2} $	Differential output voltage	$R_L = 100 \Omega$, See Figure 1	$1/2 V_{OD1}$ or 2§			V
		$R_L = 54 \Omega$, See Figure 1	1.5	2.5	5	V
V_{OD3}	Differential output voltage	$V_{\text{test}} = -7 \text{ V to } 12 \text{ V}$, See Figure 2	1.5		5	V
$\Delta V_{OD} $	Change in magnitude of differential output voltage¶				± 0.2	V
V_{OC}	Common-mode output voltage	$R_L = 540 \Omega$ or 100Ω , See Figure 1			3	V
					-1	V
$\Delta V_{OC} $	Change in magnitude of common-mode output voltage¶				± 0.2	V
I_O	Output current	Output disabled, See Note 3	$V_O = 12 \text{ V}$		1	mA
			$V_O = -7 \text{ V}$		-0.8	
I_{IH}	High-level input current	$V_I = 2.4 \text{ V}$			20	μA
I_{IL}	Low-level input current	$V_I = 0.4 \text{ V}$			-400	μA
I_{OS}	Short-circuit output current	$V_O = -6 \text{ V}$			-250	mA
		$V_O = 0$			-150	
		$V_O = V_{CC}$			250	
		$V_O = 8 \text{ V}$			250	
I_{CC}	Supply current	No load	Outputs enabled	69	90	mA
			Outputs disabled	57	78	

† The power-off measurement in ANSI Standard EIA/TIA-422-B applies to disabled outputs only and is not applied to combined inputs and outputs.

‡ All typical values are at $V_{CC} = 5 \text{ V}$ and $T_A = 25^\circ\text{C}$.

§ The minimum V_{OD2} with a $100\text{-}\Omega$ load is either $1/2 V_{OD1}$ or 2 V , whichever is greater.

¶ $\Delta |V_{OD}|$ and $\Delta |V_{OC}|$ are the changes in magnitude of V_{OD} and V_{OC} respectively, that occur when the input is changed from a high level to a low level.

NOTE 3: This applies for both power on and off; refer to EIA Standard RS-485 for exact conditions. The EIA/TIA-422-B limit does not apply for a combined driver and receiver terminal.

SN75ALS170, SN75ALS170A

TRIPLE DIFFERENTIAL BUS TRANSCEIVER

SLLS055D – AUGUST 1987 – REVISED SEPTEMBER 1995

switching characteristics over recommended ranges of supply voltage and operating free-air temperature (unless otherwise noted)

PARAMETER		TEST CONDITIONS		MIN	TYP†	MAX	UNIT
t _d (OD)	Differential output delay time	ALS170	R _L = 54 Ω, C _L = 50 pF, T _A = 25°C, See Figure 3	3	8	13	ns
		ALS170A		5.5	8	10.5	
		ALS170	R _{L1} = R _{L3} = 165 Ω, C _L = 60 pF, T _A = 25°C, See Figure 4	3	8	13	
		ALS170A		5.5	8	10.5	
t _{sk} (p)	Pulse skew‡	R _L = 54 Ω, See Figure 3		1	5	ns	
		R _{L1} = R _{L3} = 165 Ω, C _L = 60 pF, See Figure 4		1	5	ns	
t _{sk} (lim)	Skew limit§	ALS170	R _L = 54 Ω, See Figure 3			10	ns
		ALS170A				5	
		ALS170	R _{L1} = R _{L3} = 165 Ω, C _L = 60 pF, See Figure 4			10	
		ALS170A				5	
t _t (OD)	Differential-output transition time	R _L = 54 Ω, See Figure 3		3	8	13	ns
		R _{L1} = R _{L3} = 165 Ω, C _L = 60 pF, See Figure 4		3	8	13	

† All typical values are at V_{CC} = 5 V and T_A = 25°C.

‡ Pulse skew is defined as the |t_d(ODH) - t_d(ODL)| of each channel.

§ Skew limit is the maximum difference in propagation delay times between any two channels of one device and between any two devices. This parameter is applicable at one V_{CC} and operating temperature within the recommended operating conditions.

SYMBOL EQUIVALENTS

DATA SHEET PARAMETER	EIA/TIA-422-B	RS-485
V _O	V _{oa} , V _{ob}	V _{oa} , V _{ob}
V _{OD1}	V _O	V _O
V _{OD2}	V _t (R _L = 100 Ω)	V _t (R _L = 54 Ω)
V _{OD3}		V _t (Test Termination Measurement 2)
V _{test}		V _{tst}
Δ V _{OD}	V _t - V̄ _t	V _t - V̄ _t
V _{OC}	V _{os}	V _{os}
Δ V _{OC}	V _{os} - V̄ _{os}	V _{os} - V̄ _{os}
I _{OS}	I _{sa} , I _{sb}	
I _O	I _{xa} , I _{xb}	I _{ia} , I _{ib}



SN75ALS170, SN75ALS170A TRIPLE DIFFERENTIAL BUS TRANSCEIVER

SLLS055D – AUGUST 1987 – REVISED SEPTEMBER 1995

RECEIVER SECTION

electrical characteristics over recommended ranges of common-mode input voltage, supply voltage, and operating free-air temperature (unless otherwise noted)

PARAMETER		TEST CONDITIONS		MIN	TYP†	MAX	UNIT	
V_{IT+}	Positive-going input threshold voltage	$V_O = 2.7$ V,	$I_O = -0.4$ mA			0.3	V	
V_{IT-}	Negative-going input threshold voltage	$V_O = 0.5$ V,	$I_O = 8$ mA	-0.3‡			V	
V_{hys}	Hysteresis voltage ($V_{IT+} - V_{IT-}$)				60		mV	
V_{IK}	Enable-input clamp voltage	$I_I = -18$ mA				-1.5	V	
V_{OH}	High-level output voltage	$V_{ID} = 300$ mV, See Figure 5	$I_{OH} = -400$ μ A,		2.7		V	
V_{OL}	Low-level output voltage	$V_{ID} = -300$ mV, See Figure 5	$I_{OL} = 8$ mA,			0.45	V	
I_{OZ}	High-impedance-state output current	$V_O = 2.4$ V				20	μ A	
		$V_O = 0.4$ V				-400		
I_I	Line input current	Other input = 0, See Note 4	$V_I = 12$ V			1	mA	
			$V_I = -7$ V			-0.8		
I_{IH}	High-level enable-input current	$V_{IH} = 2.7$ V				20	μ A	
I_{IL}	Low-level enable-input current	$V_{IL} = 0.4$ V				-100	μ A	
r_I	Input resistance				12		k Ω	
I_{OS}	Short-circuit output current	$V_{ID} = 300$ mV,	$V_O = 0$			-15	-85	mA
I_{CC}	Supply current	No load	Outputs enabled			69	90	mA
			Outputs disabled			57	78	

† All typical values are at $V_{CC} = 5$ V and $T_A = 25^\circ\text{C}$.

‡ The algebraic convention, in which the less-positive (more-negative) limit is designated minimum, is used in this data sheet for common-mode input voltage and threshold voltage levels only.

NOTE 4: This applies for both power on and off; refer to EIA Standard RS-485 for exact conditions.

switching characteristics over recommended ranges of supply voltage and operating free-air temperature range

PARAMETER		TEST CONDITIONS		MIN	TYP†	MAX	UNIT	
t_{PLH}	Propagation delay time, low-to-high-level output	ALS170	$V_{ID} = -1.5$ V to 1.5 V, $C_L = 15$ pF, $T_A = 25^\circ\text{C}$, See Figure 6		9	19	ns	
		ALS170A			11.5	16.5		
t_{PHL}	Propagation delay time, high-to-low-level output	ALS170				9	19	ns
		ALS170A				11.5	16.5	
$t_{sk(p)}$	Pulse skew§	ALS170	$V_{ID} = -1.5$ V to 1.5 V, $C_L = 15$ pF, See Figure 6		2	6	ns	
		ALS170A				5		
$t_{sk(lim)}$	Skew limit¶	ALS170					10	ns
		ALS170A					5	

† All typical values are at $V_{CC} = 5$ V and $T_A = 25^\circ\text{C}$.

§ Pulse skew is defined as the $|t_{PLH} - t_{PHL}|$ of each channel.

¶ Skew limit is the maximum difference in propagation delay times between any two channels of one device and between any two devices. This parameter is applicable at one V_{CC} and operating temperature within the recommended operating conditions.



SN75ALS170, SN75ALS170A TRIPLE DIFFERENTIAL BUS TRANSCEIVER

SLLS055D – AUGUST 1987 – REVISED SEPTEMBER 1995

PARAMETER MEASUREMENT INFORMATION

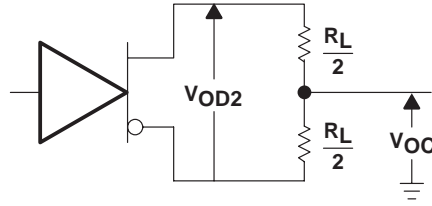


Figure 1. Driver V_{OD} and V_{OC}

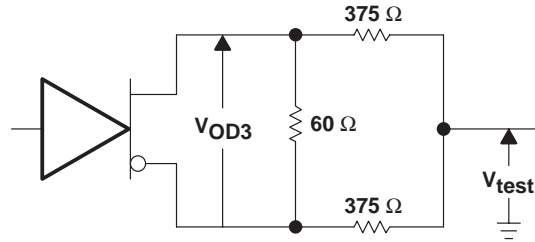
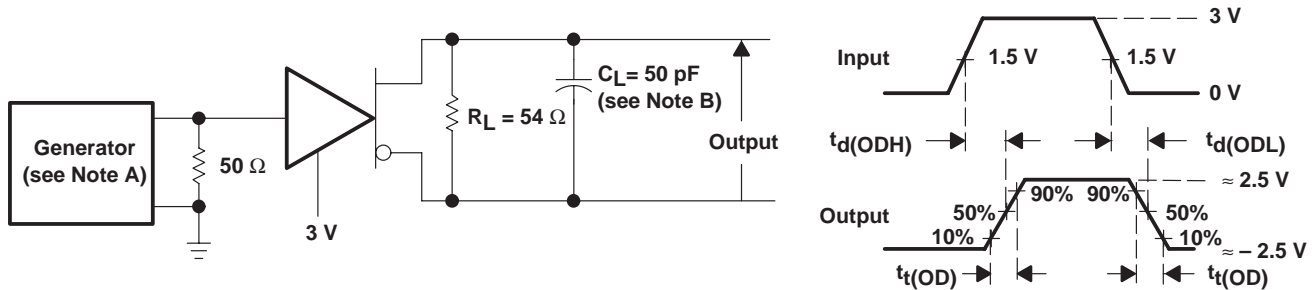


Figure 2. Driver V_{OD3}



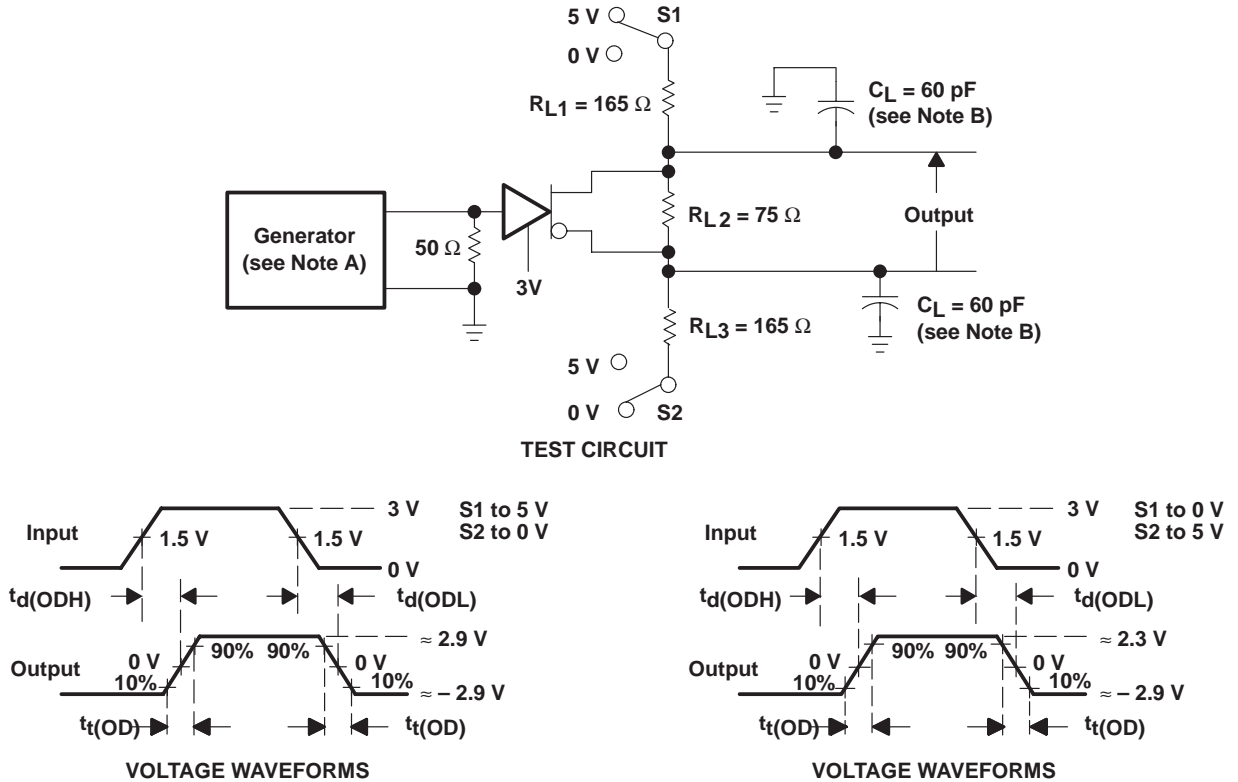
TEST CIRCUIT

VOLTAGE WAVEFORMS

- NOTES: A. The input pulse is supplied by a generator having the following characteristics: $PRR \leq 1$ MHz, 50% duty cycle, $t_r \leq 6$ ns, $t_f \leq 6$ ns, $Z_O = 50 \Omega$.
 B. C_L includes probe and jig capacitance.

Figure 3. Driver Test Circuit and Voltage Waveforms

PARAMETER MEASUREMENT INFORMATION



- NOTES: A. The input pulse is supplied by a generator having the following characteristics: PRR \leq 1 MHz, 50% duty cycle, $t_r \leq$ 6 ns, $t_f \leq$ 6 ns, $Z_O = 50 \Omega$.
B. C_L includes probe and jig capacitance.

Figure 4. Driver Test Circuit and Voltage Waveforms With Double-Differential-SCSI Termination for the Load

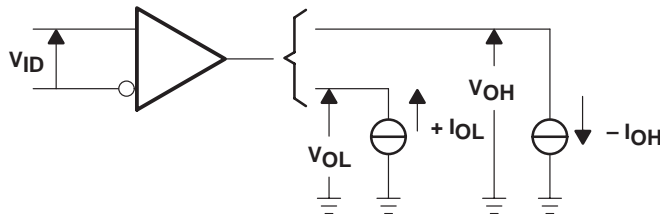
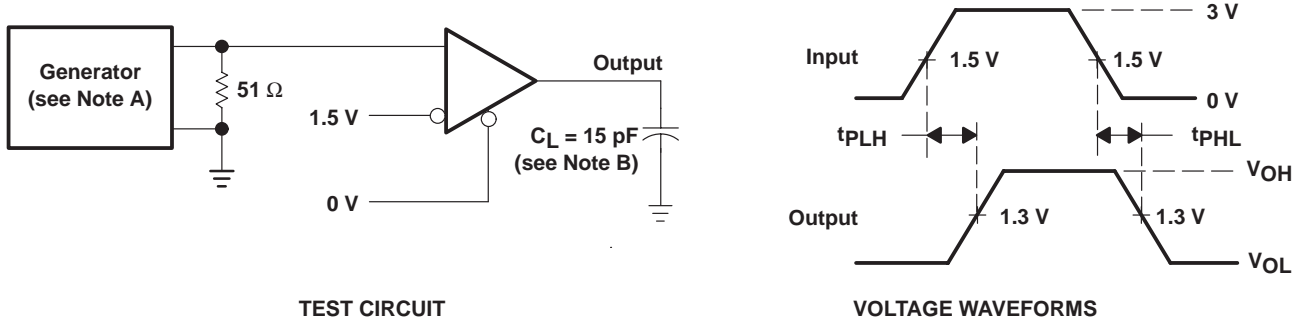


Figure 5. Receiver V_{OH} and V_{OL}

SN75ALS170, SN75ALS170A TRIPLE DIFFERENTIAL BUS TRANSCEIVER

SLLS055D – AUGUST 1987 – REVISED SEPTEMBER 1995

PARAMETER MEASUREMENT INFORMATION



- NOTES: A. The input pulse is supplied by a generator having the following characteristics: PRR ≤ 1 MHz, 50% duty cycle, $t_r \leq 6$ ns, $t_f \leq 6$ ns, $Z_O = 50 \Omega$.
 B. C_L includes probe and jig capacitance.

Figure 6. Receiver Test Circuit and Voltage Waveforms

TYPICAL CHARACTERISTICS

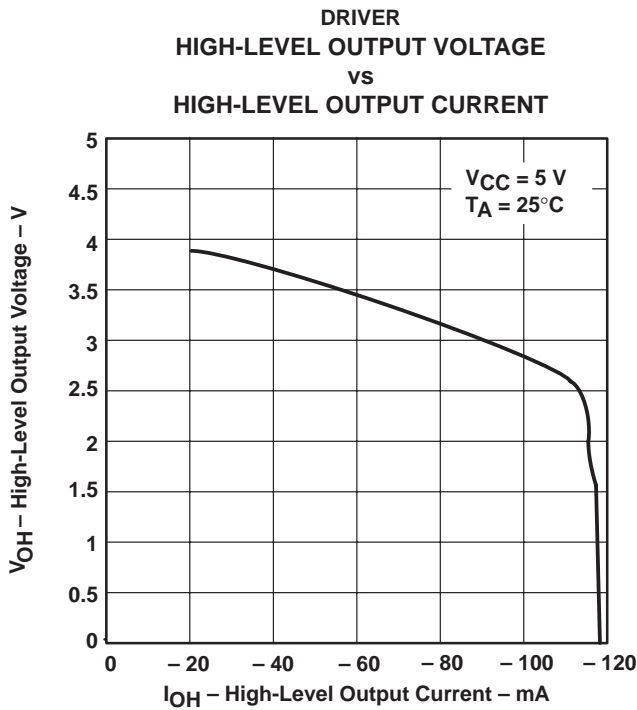


Figure 7

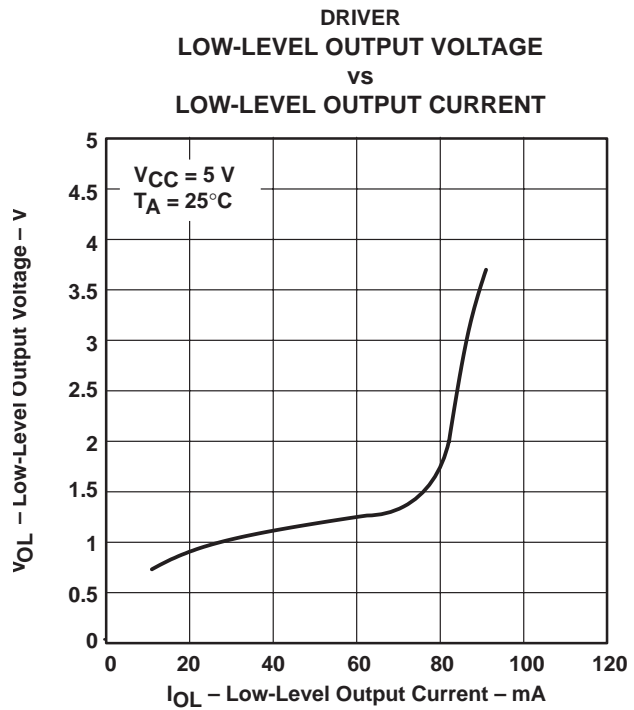


Figure 8

TYPICAL CHARACTERISTICS

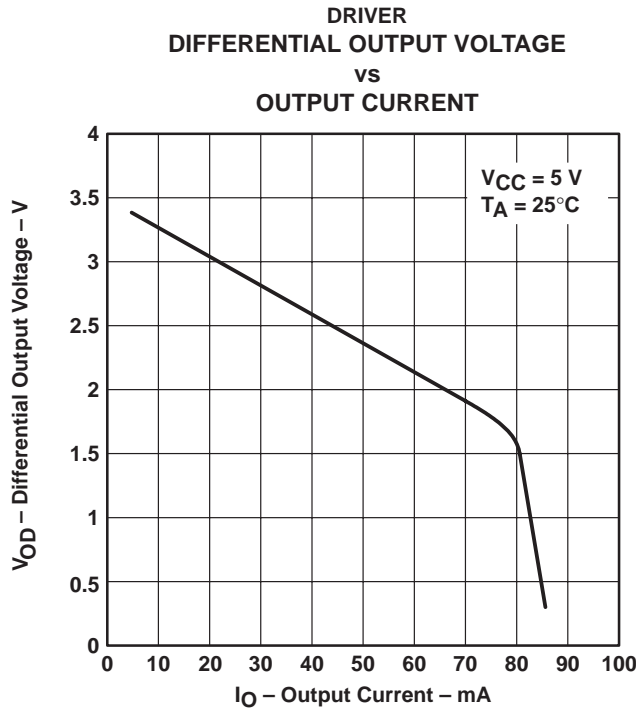


Figure 9

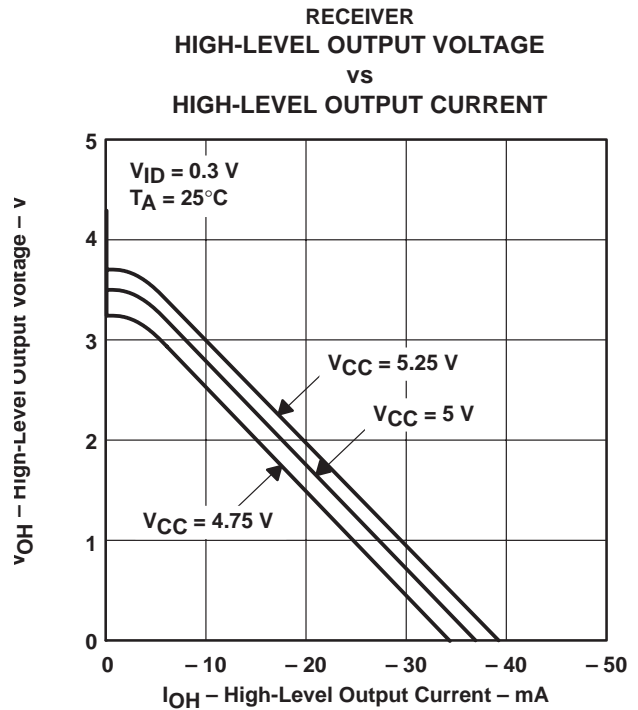


Figure 10

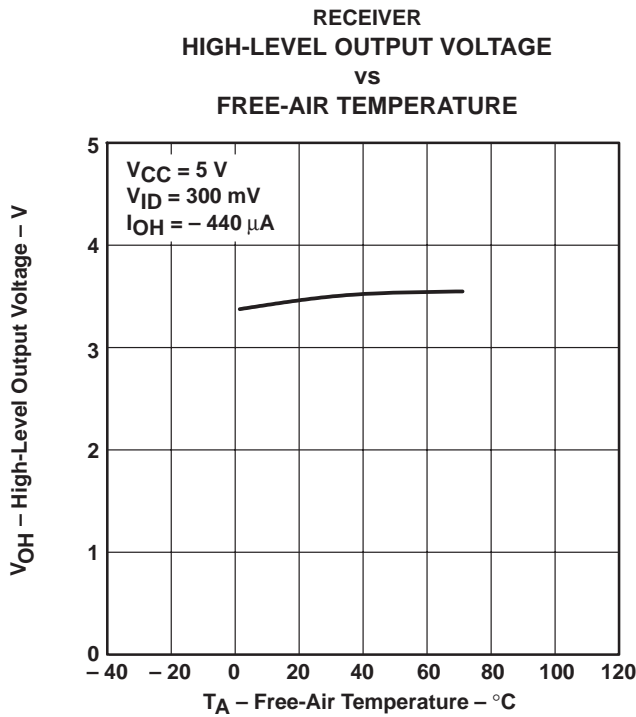


Figure 11

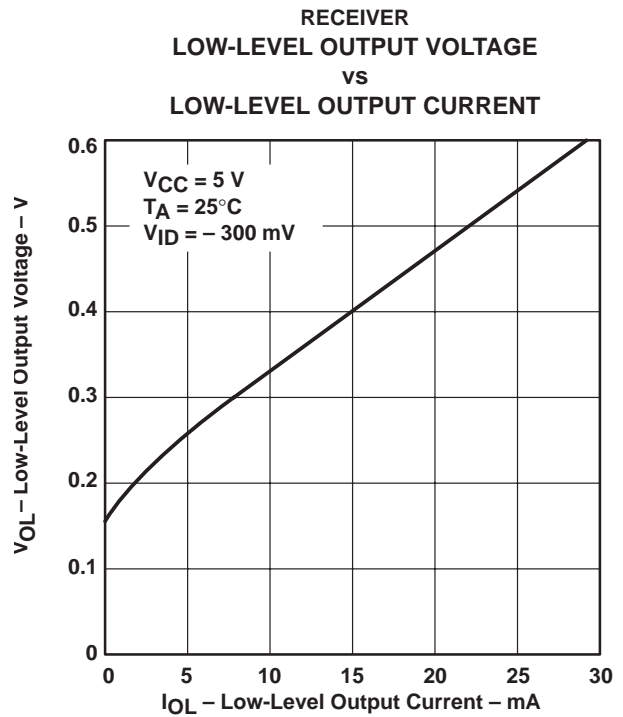


Figure 12

SN75ALS170, SN75ALS170A TRIPLE DIFFERENTIAL BUS TRANSCEIVER

SLLS055D – AUGUST 1987 – REVISED SEPTEMBER 1995

TYPICAL CHARACTERISTICS

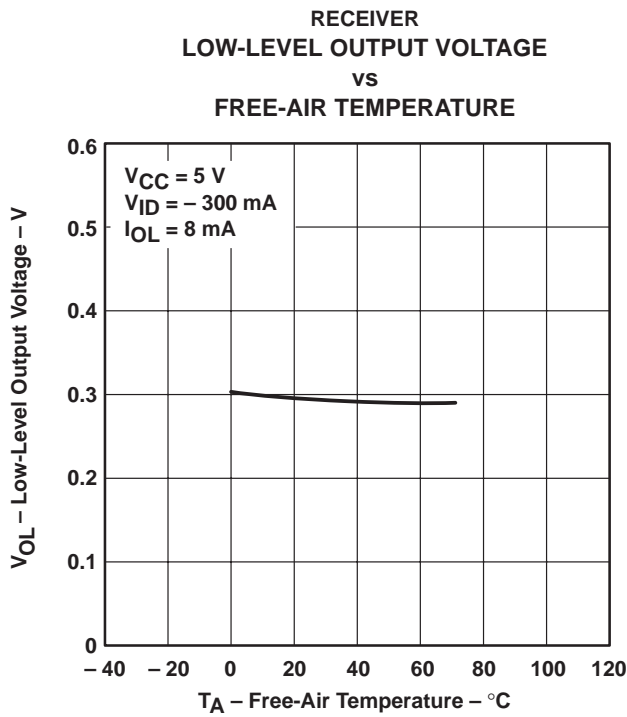


Figure 13

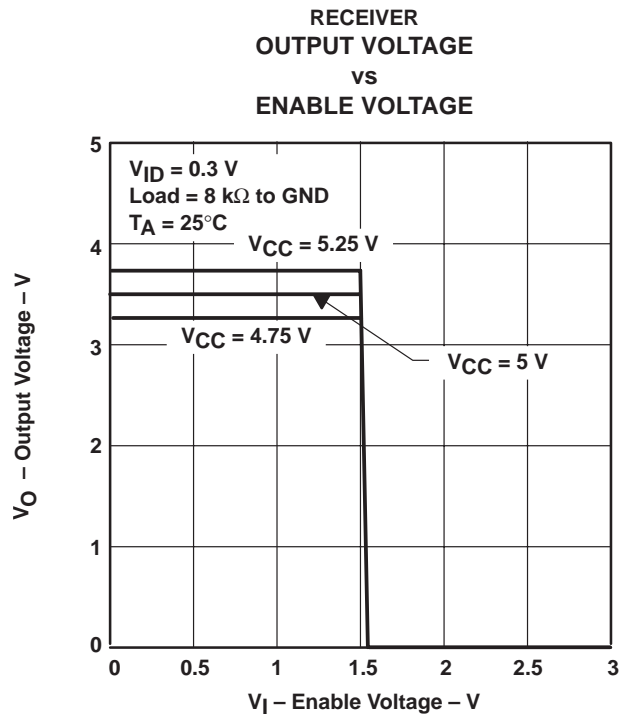


Figure 14

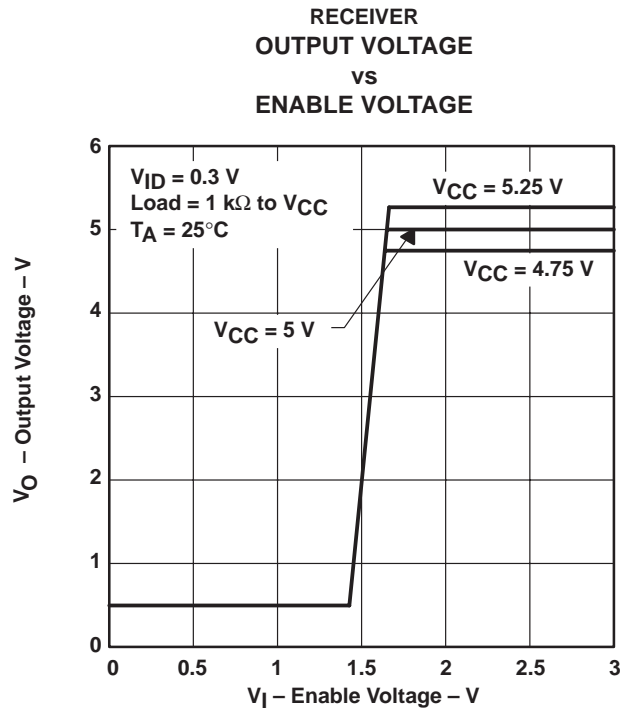
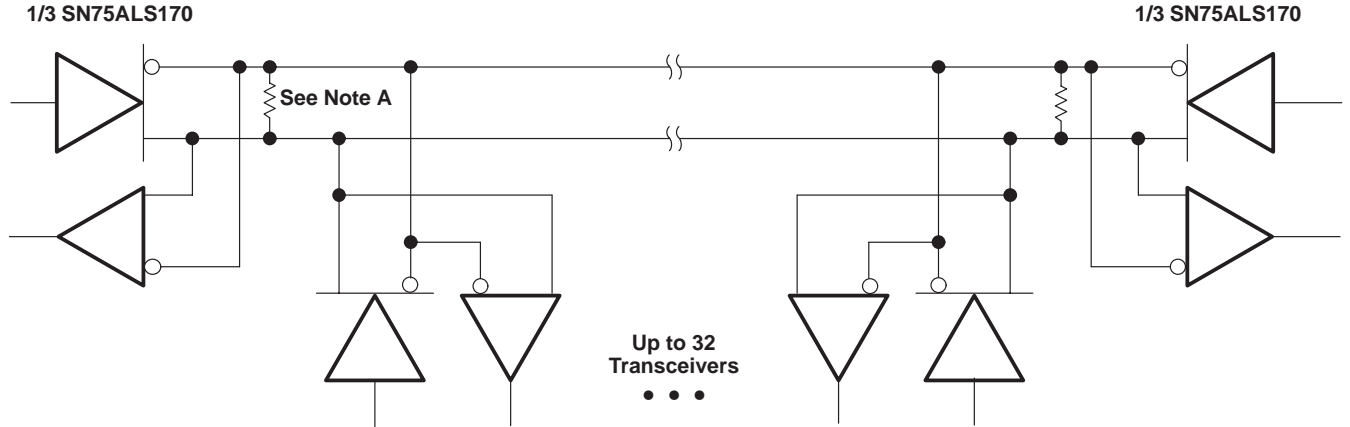


Figure 15

APPLICATION INFORMATION



NOTE A: The line should be terminated at both ends in its characteristic impedance. Stub lengths off the main line should be kept as short as possible.

Figure 16. Typical Application Circuit

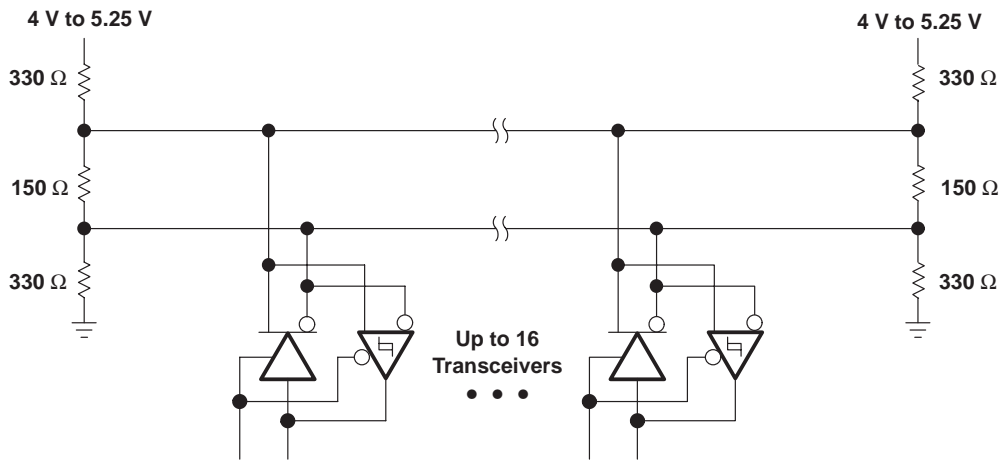


Figure 17. Typical Differential SCSI Application Circuit

SN75ALS170, SN75ALS170A TRIPLE DIFFERENTIAL BUS TRANSCEIVER

SLLS055D – AUGUST 1987 – REVISED SEPTEMBER 1995

APPLICATION INFORMATION

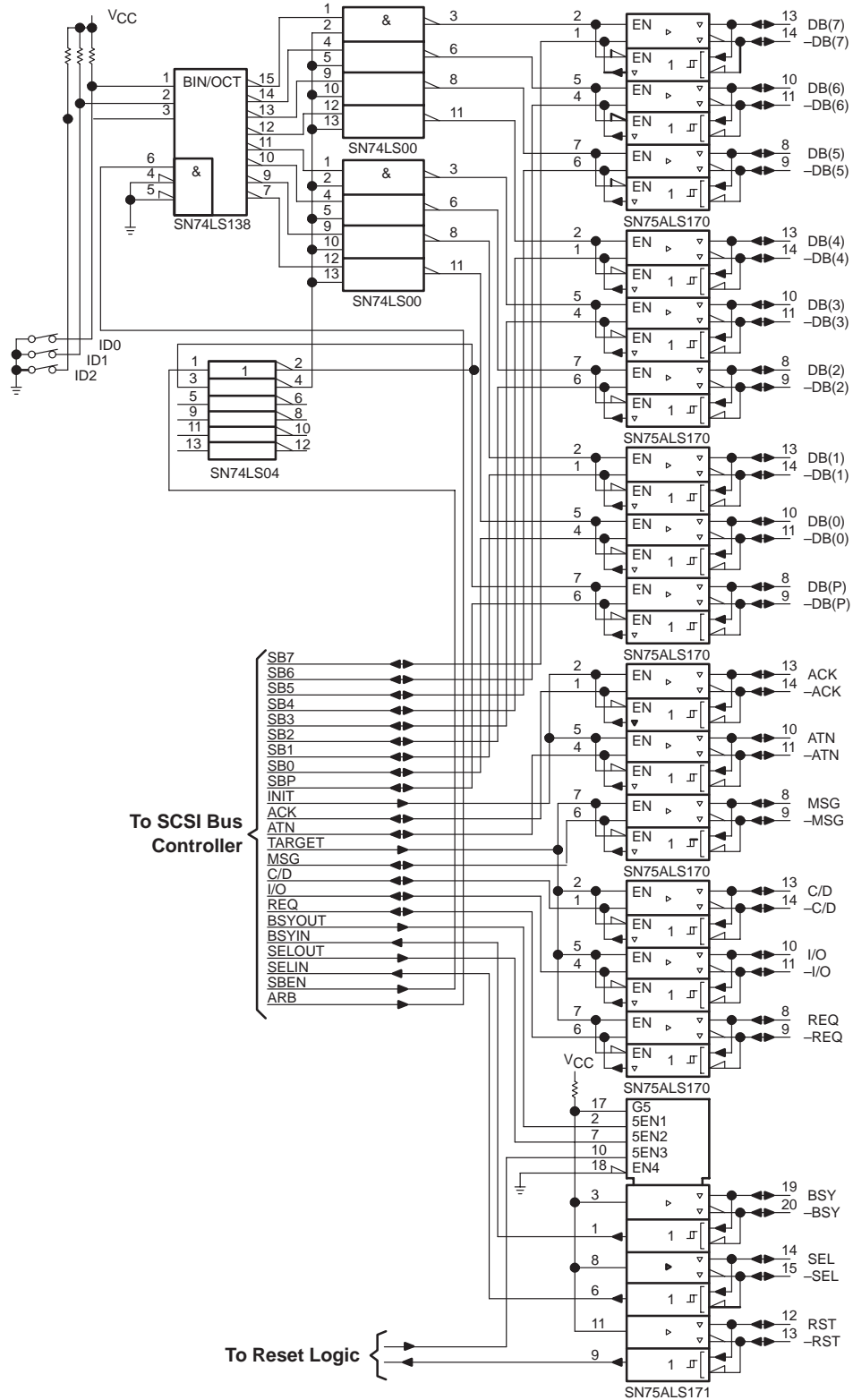


Figure 18. Typical Differential SCSI Bus Interface Implementation



POST OFFICE BOX 655303 • DALLAS, TEXAS 75265

IMPORTANT NOTICE

Texas Instruments and its subsidiaries (TI) reserve the right to make changes to their products or to discontinue any product or service without notice, and advise customers to obtain the latest version of relevant information to verify, before placing orders, that information being relied on is current and complete. All products are sold subject to the terms and conditions of sale supplied at the time of order acknowledgement, including those pertaining to warranty, patent infringement, and limitation of liability.

TI warrants performance of its semiconductor products to the specifications applicable at the time of sale in accordance with TI's standard warranty. Testing and other quality control techniques are utilized to the extent TI deems necessary to support this warranty. Specific testing of all parameters of each device is not necessarily performed, except those mandated by government requirements.

CERTAIN APPLICATIONS USING SEMICONDUCTOR PRODUCTS MAY INVOLVE POTENTIAL RISKS OF DEATH, PERSONAL INJURY, OR SEVERE PROPERTY OR ENVIRONMENTAL DAMAGE ("CRITICAL APPLICATIONS"). TI SEMICONDUCTOR PRODUCTS ARE NOT DESIGNED, AUTHORIZED, OR WARRANTED TO BE SUITABLE FOR USE IN LIFE-SUPPORT DEVICES OR SYSTEMS OR OTHER CRITICAL APPLICATIONS. INCLUSION OF TI PRODUCTS IN SUCH APPLICATIONS IS UNDERSTOOD TO BE FULLY AT THE CUSTOMER'S RISK.

In order to minimize risks associated with the customer's applications, adequate design and operating safeguards must be provided by the customer to minimize inherent or procedural hazards.

TI assumes no liability for applications assistance or customer product design. TI does not warrant or represent that any license, either express or implied, is granted under any patent right, copyright, mask work right, or other intellectual property right of TI covering or relating to any combination, machine, or process in which such semiconductor products or services might be or are used. TI's publication of information regarding any third party's products or services does not constitute TI's approval, warranty or endorsement thereof.