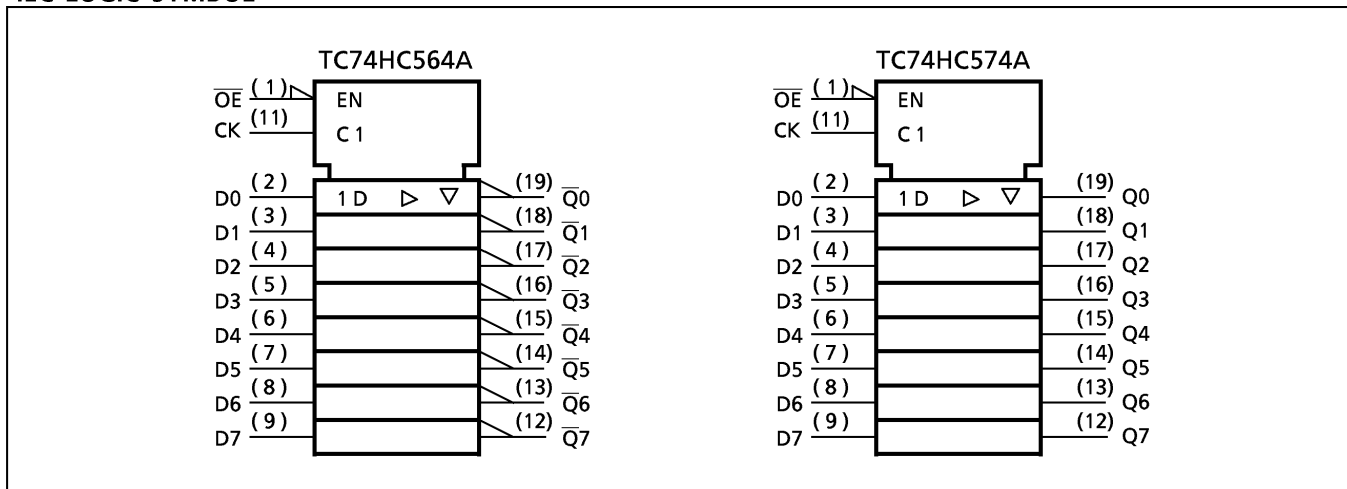
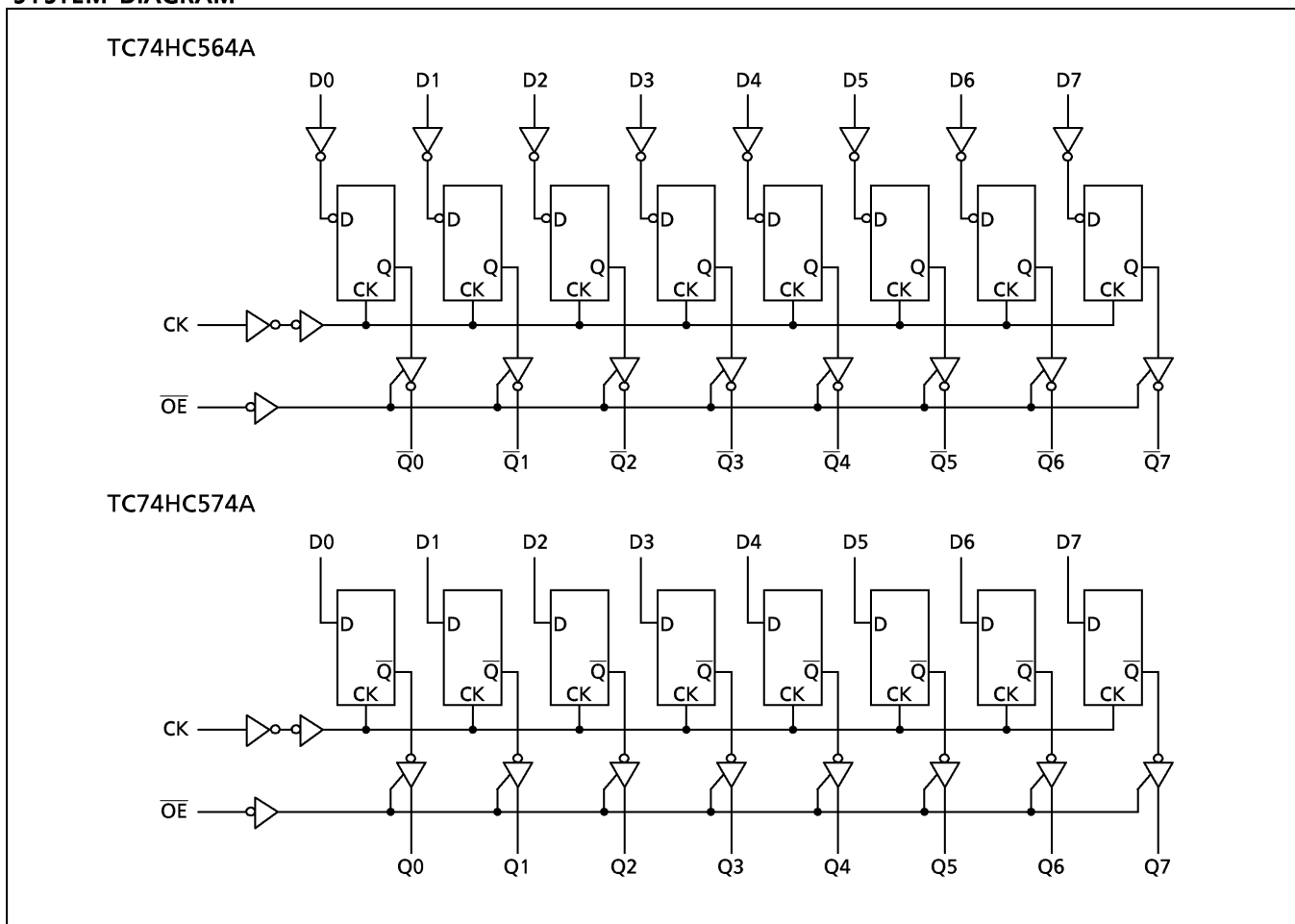




**IEC LOGIC SYMBOL**



**SYSTEM DIAGRAM**



980508EBA2'

- The products described in this document are subject to foreign exchange and foreign trade laws.
- The information contained herein is presented only as a guide for the applications of our products. No responsibility is assumed by TOSHIBA CORPORATION for any infringements of intellectual property or other rights of the third parties which may result from its use. No license is granted by implication or otherwise under any intellectual property or other rights of TOSHIBA CORPORATION or others.
- The information contained herein is subject to change without notice.

## ABSOLUTE MAXIMUM RATINGS

PARAMETER	SYMBOL	VALUE	UNIT
Supply Voltage Range	$V_{CC}$	-0.5~7	V
DC Input Voltage	$V_{IN}$	-0.5~ $V_{CC}+0.5$	V
DC Output Voltage	$V_{OUT}$	-0.5~ $V_{CC}+0.5$	V
Input Diode Current	$I_{IK}$	$\pm 20$	mA
Output Diode Current	$I_{OK}$	$\pm 20$	mA
DC Output Current	$I_{OUT}$	$\pm 35$	mA
DC $V_{CC}$ /Ground Current	$I_{CC}$	$\pm 75$	mA
Power Dissipation	$P_D$	500 (DIP)* / 180 (SOP)	mW
Storage Temperature	$T_{stg}$	-65~150	°C

\*500mW in the range of  $T_a = -40^\circ\text{C} \sim 65^\circ\text{C}$ . From  $T_a = 65^\circ\text{C}$  to  $85^\circ\text{C}$  a derating factor of  $-10\text{mW}/^\circ\text{C}$  shall be applied until 300mW.

## RECOMMENDED OPERATING CONDITIONS

PARAMETER	SYMBOL	VALUE	UNIT
Supply Voltage	$V_{CC}$	2~6	V
Input Voltage	$V_{IN}$	0~ $V_{CC}$	V
Output Voltage	$V_{OUT}$	0~ $V_{CC}$	V
Operating Temperature	$T_{opr}$	-40~85	°C
Input Rise and Fall Time	$t_r, t_f$	0~1000 ( $V_{CC} = 2.0\text{V}$ ) 0~500 ( $V_{CC} = 4.5\text{V}$ ) 0~400 ( $V_{CC} = 6.0\text{V}$ )	ns

## DC ELECTRICAL CHARACTERISTICS

PARAMETER	SYMBOL	TEST CONDITION	$V_{CC}$ (V)	$T_a = 25^\circ\text{C}$			$T_a = -40 \sim 85^\circ\text{C}$		UNIT	
				MIN.	TYP.	MAX.	MIN.	MAX.		
High - Level Input Voltage	$V_{IH}$		2.0 4.5 6.0	1.50 3.15 4.20	— — —	— — —	1.50 3.15 4.20	— — —	V	
Low - Level Input Voltage	$V_{IL}$		2.0 4.5 6.0	— — —	— — —	0.50 1.35 1.80	— — —	0.50 1.35 1.80	V	
High - Level Output Voltage	$V_{OH}$	$V_{IN} = V_{IH}$ or $V_{IL}$	$I_{OH} = -20\mu\text{A}$	2.0 4.5 6.0	1.9 4.4 5.9	2.0 4.5 6.0	— — —	1.9 4.4 5.9	— — —	V
				$I_{OH} = -6\text{ mA}$ $I_{OH} = -7.8\text{ mA}$	4.5 6.0	4.18 5.68	4.31 5.80	— —	4.13 5.63	
Low - Level Output Voltage	$V_{OL}$	$V_{IN} = V_{IH}$ or $V_{IL}$	$I_{OL} = 20\mu\text{A}$	2.0 4.5 6.0	— — —	0.0 0.0 0.0	0.1 0.1 0.1	— — —	0.1 0.1 0.1	V
				$I_{OL} = 6\text{ mA}$ $I_{OL} = 7.8\text{ mA}$	4.5 6.0	— —	0.17 0.18	0.26 0.26	— —	
3 - State Output Off - State Current	$I_{OZ}$	$V_{IN} = V_{IH}$ or $V_{IL}$ $V_{OUT} = V_{CC}$ or GND	6.0	—	—	$\pm 0.5$	—	$\pm 5.0$	$\mu\text{A}$	
Input Leakage Current	$I_{IN}$	$V_{IN} = V_{CC}$ or GND	6.0	—	—	$\pm 0.1$	—	$\pm 1.0$		
Quiescent Supply Current	$I_{CC}$	$V_{IN} = V_{CC}$ or GND	6.0	—	—	4.0	—	40.0		

TIMING REQUIREMENTS (Input  $t_r = t_f = 6\text{ns}$ )

PARAMETER	SYMBOL	TEST CONDITION	$V_{CC}$ (V)	Ta = 25°C		Ta = -40~85°C	UNIT
				TYP.	LIMIT	LIMIT	
Minimum Pulse Width (CK)	$t_{W(H)}$ $t_{W(L)}$		2.0	—	75	95	ns
			4.5	—	15	19	
			6.0	—	13	16	
Minimum Set-up Time (Dn)	$t_s$		2.0	—	75	95	
			4.5	—	15	19	
			6.0	—	13	16	
Minimum Hold Time (Dn)	$t_h$		2.0	—	0	0	
			4.5	—	0	0	
			6.0	—	0	0	
Clock Frequency	f		2.0	—	6	5	MHz
			4.5	—	31	24	
			6.0	—	36	28	

AC ELECTRICAL CHARACTERISTICS (Input  $t_r = t_f = 6\text{ns}$ )

PARAMETER	SYMBOL	TEST CONDITION	CL (pF)	$V_{CC}$ (V)	Ta = 25°C			Ta = -40~85°C		UNIT
					MIN.	TYP.	MAX.	MIN.	MAX.	
Output Transition Time	$t_{TLH}$ $t_{THL}$		50	2.0	—	25	60	—	75	ns
				4.5	—	7	12	—	15	
				6.0	—	6	10	—	13	
Propagation Delay Time (CK-Q, $\bar{Q}$ )	$t_{pLH}$ $t_{pHL}$		50	2.0	—	70	150	—	190	
				4.5	—	20	30	—	38	
				6.0	—	15	26	—	33	
			$R_L = 1\text{k}\Omega$	150	2.0	—	88	190	—	240
					4.5	—	25	38	—	48
					6.0	—	19	33	—	41
Output Enable time	$t_{pZL}$ $t_{pZH}$	$R_L = 1\text{k}\Omega$	50	2.0	—	48	125	—	155	
				4.5	—	15	25	—	31	
				6.0	—	12	21	—	26	
			$R_L = 1\text{k}\Omega$	150	2.0	—	60	165	—	205
					4.5	—	20	33	—	41
					6.0	—	16	28	—	35
Output Disable time	$t_{pLZ}$ $t_{pHZ}$	$R_L = 1\text{k}\Omega$	50	2.0	—	34	125	—	155	
				4.5	—	17	25	—	31	
				6.0	—	15	21	—	26	
Maximum Clock Frequency	$f_{MAX}$		50	2.0	6	17	—	5	—	MHz
				4.5	31	50	—	24	—	
				6.0	36	59	—	28	—	
Input Capacitance	$C_{IN}$				—	5	10	—	pF	
Output Capacitance	$C_{OUT}$				—	10	—	—		
Power Dissipation Capacitance	$C_{PD}$ (1)				—	54	—	—		

Note (1)  $C_{PD}$  is defined as the value of the internal equivalent capacitance which is calculated from the operating current consumption without load.

Average operating current can be obtained by the equation:

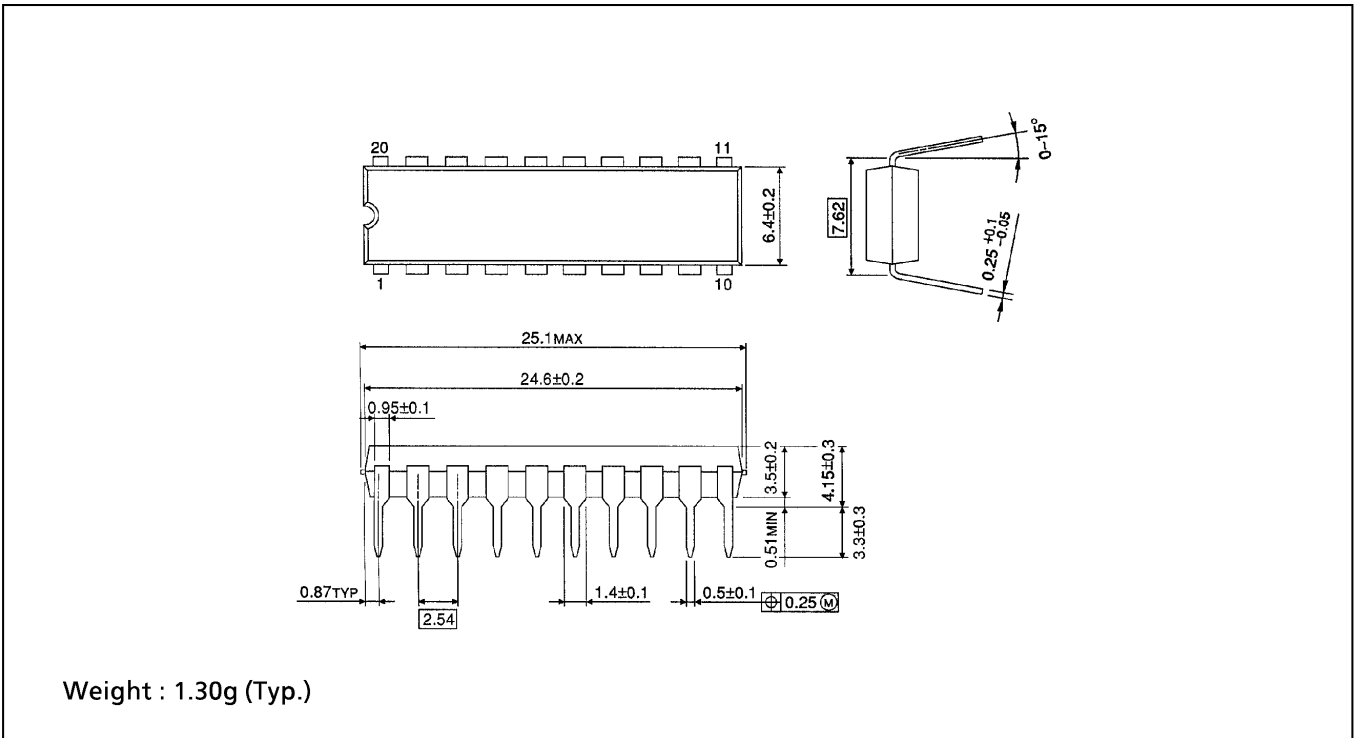
$$I_{CC}(\text{opr}) = C_{PD} \cdot V_{CC} \cdot f_{IN} + I_{CC}/8 \text{ (per bit)}$$

And the total  $C_{PD}$  when n pcs. of Flip Flop operate can be gained by the following equation:

$$C_{PD}(\text{total}) = 39 + 15 \cdot n$$

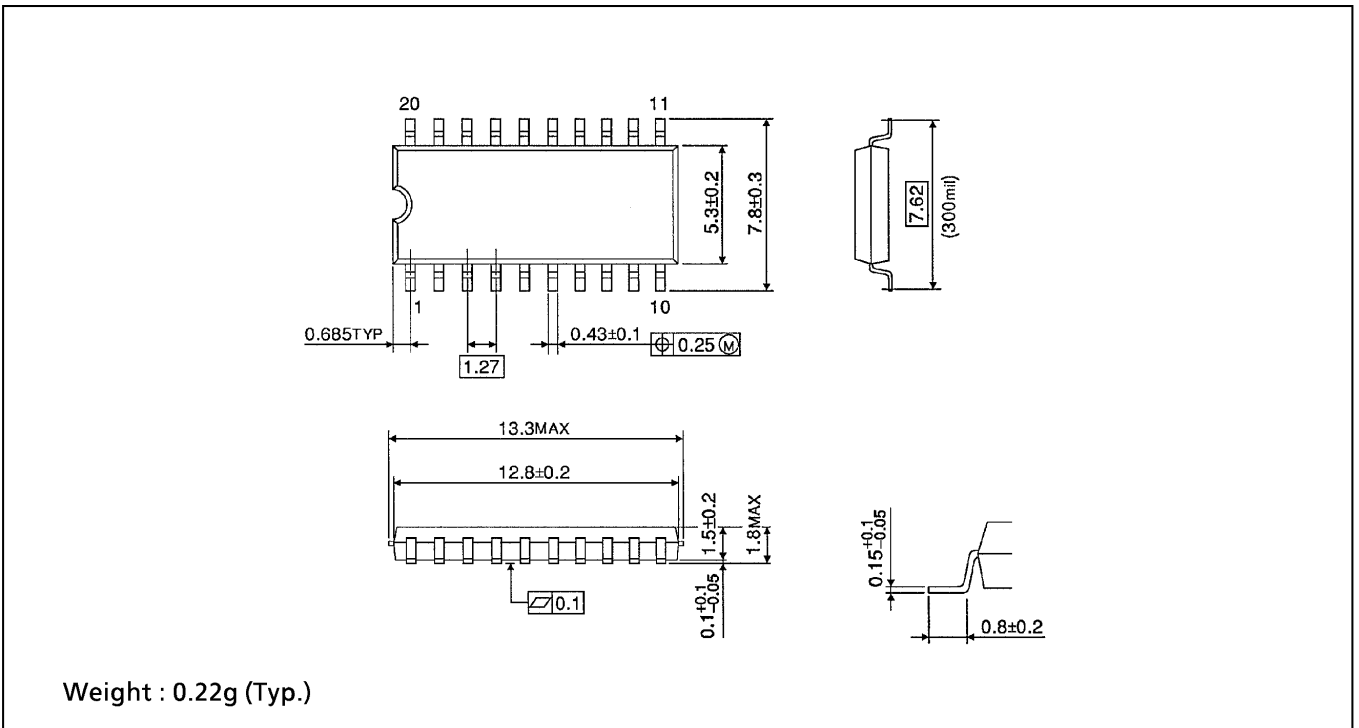
**DIP 20PIN OUTLINE DRAWING (DIP20-P-300-2.54A)**

Unit in mm



**SOP 20PIN (200mil BODY) OUTLINE DRAWING (SOP20-P-300-1.27)**

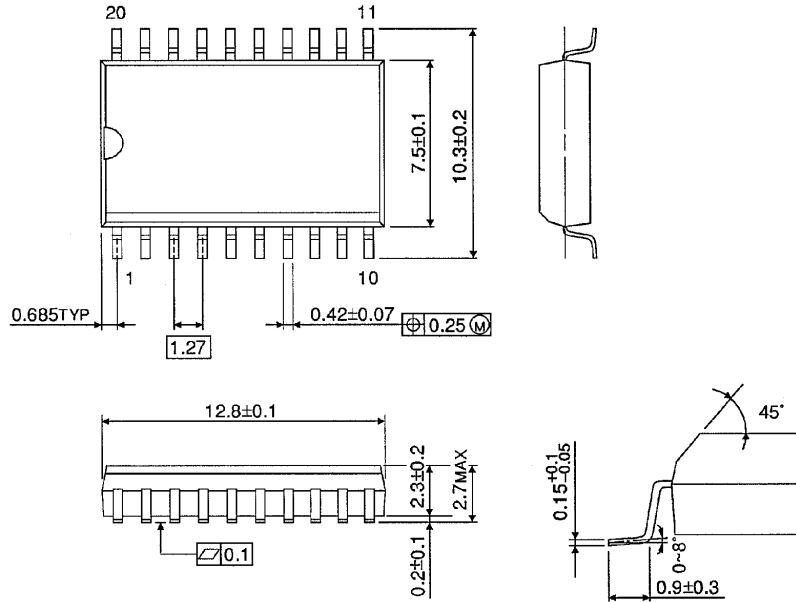
Unit in mm



SOP 20PIN (300mil BODY) OUTLINE DRAWING (SOL20-P-300-1.27)

Unit in mm

(Note) This package is not available in Japan.



Weight : 0.46g (Typ.)