

FUJI Power Supply Control IC

Power Factor Correction

FA5612 / FA5613

Application Note

'11-4

Fuji Electric Co.,Ltd.

WARNING

1. This Data Book contains the product specifications, characteristics, data, materials, and structures as of Apr. 2011. The contents are subject to change without notice for specification changes or other reasons. When using a product listed in this Data Book, be sure to obtain the latest specifications.
2. All applications described in this Data Book exemplify the use of Fuji's products for your reference only. No right or license, either express or implied, under any patent, copyright, trade secret or other intellectual property right owned by Fuji Electric Co., Ltd. is (or shall be deemed) granted. Fuji makes no representation or warranty, whether express or implied, relating to the infringement or alleged infringement of other's intellectual property rights which may arise from the use of the applications described herein.
3. Although Fuji Electric is enhancing product quality and reliability, a small percentage of semiconductor products may become faulty. When using Fuji Electric semiconductor products in your equipment, you are requested to take adequate safety measures to prevent the equipment from causing a physical injury, fire, or other problem if any of the products become faulty. It is recommended to make your design fail-safe, flame retardant, and free of malfunction.
4. The products introduced in this Data Book are intended for use in the following electronic and electrical equipment which has normal reliability requirements.
 - Computers ·OA equipment
 - Communications equipment (terminal devices)
 - Measurement equipment
 - Machine tools ·Audiovisual equipment
 - Electrical home appliance
 - Personal equipment
 - Industrial robots etc.
5. If you need to use a product in this Data Book for equipment requiring higher reliability than normal, such as for the equipment listed below, it is imperative to contact Fuji Electric to obtain prior approval. When using these products for such equipment, take adequate measures such as a backup system to prevent the equipment from malfunctioning even if a Fuji's product incorporated in the equipment becomes faulty.
 - Transportation equipment (mounted on cars and ships)
 - Trunk communications equipment
 - Traffic-signal control equipment
 - Gas leakage detectors with an auto-shut-off feature
 - Emergency equipment for responding to disasters and anti-burglary devices
 - Safety devices
6. Do not use products in this Data Book for the equipment requiring strict reliability such as (without limitation)
 - Space equipment
 - Aeronautic equipment
 - Atomic control equipment
 - Submarine repeater equipment
 - Medical equipment
7. Copyright © 1995 by Fuji Electric Co., Ltd. All rights reserved. No part of this Data Book may be reproduced in any form or by any means without the express permission of Fuji Electric.
8. If you have any question about any portion in this Data Book, ask Fuji Electric or its sales agents before using the product. Neither Fuji nor its agents shall be liable for any injury caused by any use of the products not in accordance with instructions set forth herein.

CONTENTS

| | | | |
|-----|-----------------------------------|-------|-------|
| 1. | Description | | 4 |
| 2. | Features | | 4 |
| 3. | Outline | | 4 |
| 4. | Types of FA5612/13 | | 4 |
| 5. | Block diagram | | 5 |
| 6. | Pin assignment | | 5 |
| 7. | Ratings and characteristics | | 6~10 |
| 8. | Characteristics curves | | 11~13 |
| 9. | Outline of circuit operation | | 14 |
| 10. | Description of each circuit block | | 15~19 |
| 11. | Descriptions of use for each pin | | 20~26 |
| 12. | Advice for design | | 27~29 |
| 13. | Example of application circuit | | 30 |

Note

- The contents are subject to change without notice for specification changes or other reasons.
 - Parts tolerance and characteristics are not defined in all application described in this Date book.
- When design an actual circuit for a product, you must determine parts tolerance and characteristics for safe and economical operation.

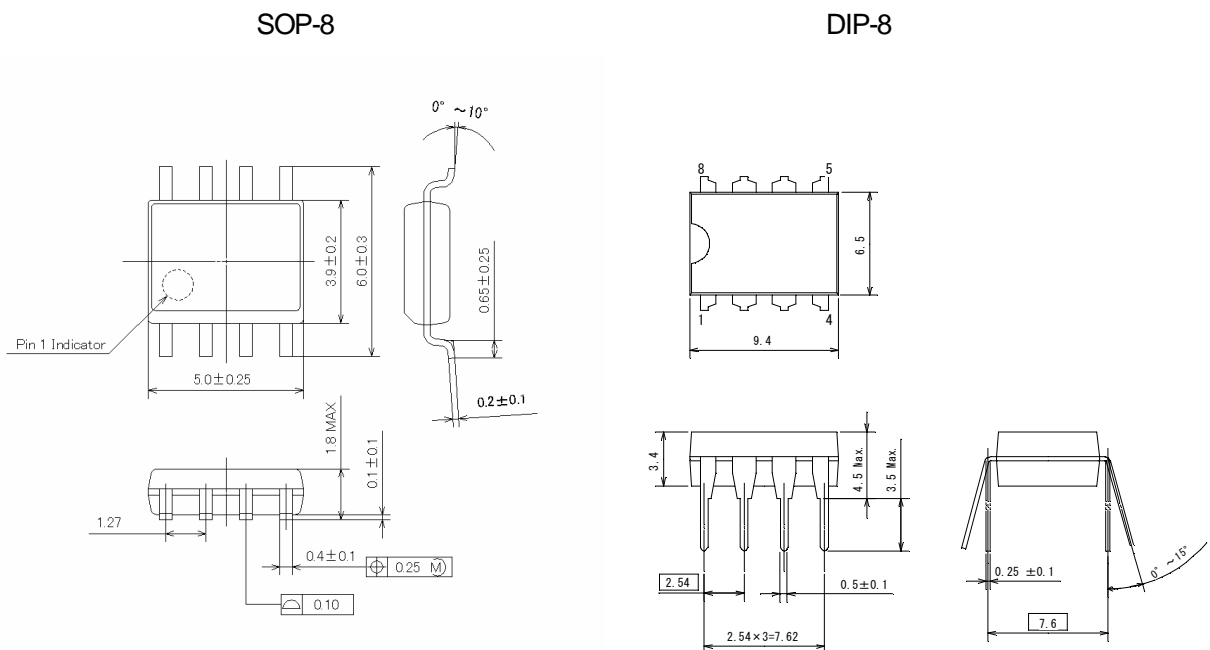
1. Description

FA5612/13 is control IC for power factor correction converter. It realizes low power consumption by using high voltage CMOS process. Thanks to a average current control, a stable operation is obtained, whereby a power factor of 99% or more is easily available. DC output voltage is controlled under a wide range of load from rated to no load. Further, a unique switching frequency diffusion function incorporated simplifies the line filter.

2. Features

- Unique switching frequency diffusion function incorporated
- Selectable switching frequency : Diffuse or Fix (60 kHz, 65 kHz)
- High-precision over current protection : $0.5V \pm 5\%$
- No audible noise at startup by dynamic OVP circuit
- Low current consumption by high voltage CMOS process
Operating : 2mA (typ.)
- Enabled to drive power MOSFET directly.
Output peak current, source : 1.5A, sink : 1.5A.
- Open/short protection at feedback (FB) pin
- Under-voltage lockout
FA5612 : 9.6V ON / 9V OFF FA5613 : 13V ON / 9V OFF
- 8-pin package: SOP-8, DIP-8

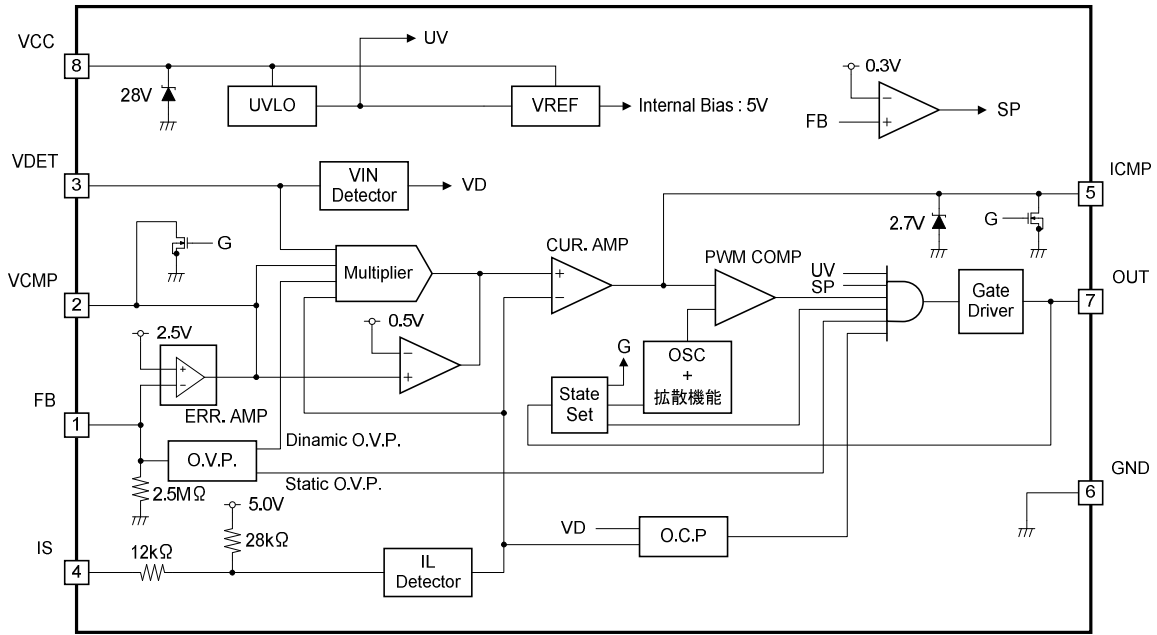
3. Outline



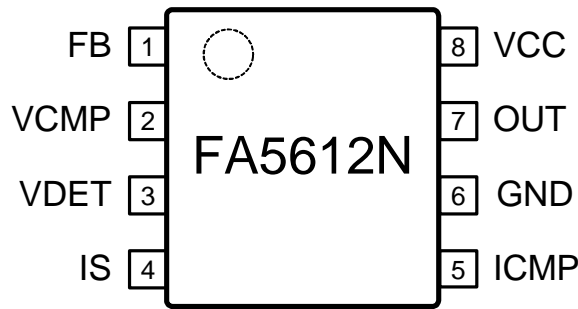
4. Type of FA5612/13

| Type | Startup Threshold | Package |
|---------|-------------------|---------|
| FA5612N | 9.6V (typ.) | SOP-8 |
| FA5612P | 9.6V (typ.) | DIP-8 |
| FA5613N | 13V (typ.) | SOP-8 |

5. Block diagram



6. Pin assignment



| Pin No. | Pin symbol | Function | Description |
|---------|------------|---------------------------|--|
| 1 | FB | Voltage Feedback Input | Inverting input for voltage error amplifier. Input terminal of converter output voltage. |
| 2 | VCMP | Voltage Loop Compensation | Output of voltage error amplifier. Phase compensator circuit is connected. *2 |
| 3 | VDET | AC Voltage Input | Input terminal for sinusoidal AC input voltage waveform. |
| 4 | IS | Current Sense Input | Input terminal for inductor current signal. |
| 5 | ICMP | Current Loop Compensation | Output of current error amplifier. Phase compensator circuit is connected. *2 |
| 6 | GND | Ground | Ground |
| 7 | OUT | Output | Output for driving a power MOSFET. |
| 8 | VCC | Power Supply | Power supply for IC control circuit and output circuit. *1 |

*1 connect the capacitor.

*2 connect capacitor and the resistor.

7. Ratings and characteristics

The contents are subject to change without notice. When using a product, be sure to obtain the latest specifications. Stress exceeding absolute maximum ratings may malfunction or damage the device.

“+” shows sink and “-” shows source in current prescription.

(1) Absolute Maximum Ratings

| Item | Symbol | Ratings | Unit |
|---|-------------|--------------------|------------------------|
| Total power supply and Zener Current (VCC) *1 | Icc+Iz | 15 | mA |
| Supply Voltage (VCC) *1 | Icc > 4.8mA | Vcc1 | - 0.3 to 28 |
| | Icc < 4.8mA | Vcc2 | - 0.3 to Self Limiting |
| Output voltage (OUT) *4 | Vout | - 0.3 to VCC + 0.3 | V |
| Output current (OUT) *1 | Iout | - 1500 to 1500 | mA |
| Output peak current (OUT) *2 | Iout_pk | Self Limiting | mA |
| input voltage (FB , VDET) | Vfb,Vvdet | - 0.3 to 5.0 | V |
| Input current (FB , VDET) *3 | Ifb,Ivdet | -100 to 100 | μA |
| Input voltage (VCMP) | Vvcmp | - 0.3 to 5.0 | V |
| Input current (VCMP) *3 | Ivcmp | - 0.5 to 30 | mA |
| Input voltage (ICMP) | Vicmp | - 0.3 to 5.0 | V |
| Input current (ICMP) *3 | Iicmp | - 0.2 to 30 | mA |
| Input voltage (IS) | Vis | - 5.0 to 1.0 | V |
| Input current (IS) *3 | Iis | - 300 to 100 | μA |
| Power dissipation | DIP-8 | Pd1 | 800 |
| | SOP-8 | Pd2 | 400 |
| Operating Junction Temperature | Tj | - 30 to +150 | °C |
| Storage temperature | Tstg | - 40 to +150 | °C |

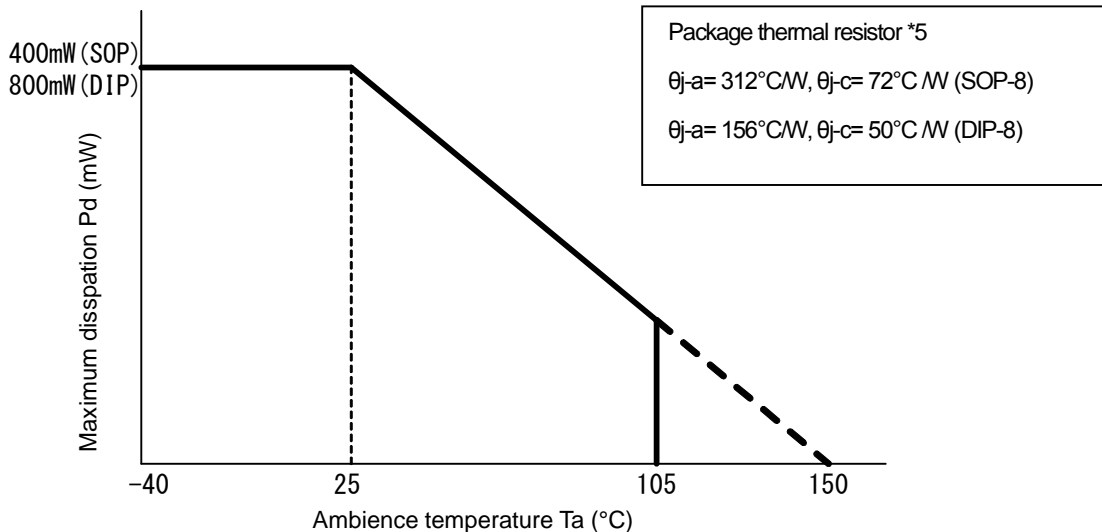
*1 Must not exceed power dissipation.

*2 Period exceeding 1500mA must be 100ns or less.

*3 When the pin current flows continuously for 100ns or more.

*4 The period of 100ns (dead time period) when the voltage of the terminal OUT changes Low⇒High is out of the question.

Maximum dissipation curve



*5 JEDEC standard test board

(2) Recommended Operating Conditions

| Item | Symbol | Min. | Typ. | Max. | Unit |
|---|--------|-------|------|------|--------------------|
| Supply Voltage | Vcc | 10 | 18 | 26 | V |
| VDET pin input voltage | Vvdet | 0 | - | 2.4 | V |
| VDET pin peak input voltage | Vpvdet | 0.54 | - | 2.4 | V |
| IS pin voltage | Vis | - 1.0 | - | 0.5 | V |
| IS pin connection noise filter resistance | Risf | - | - | 100 | Ω |
| Ambiance temperature in operation | Ta | -40 | - | 105 | $^{\circ}\text{C}$ |

| Item | Symbol | Resistance | Accuracy | Temperature characteristics | |
|---------------------------------|---------------------|------------|---------------|-----------------------------|----------------------------|
| Frequency setting resistance *2 | Frequency diffusion | Rg1 | 4.7k Ω | $\pm 5\%$ | 200ppm/ $^{\circ}\text{C}$ |
| | 65kHz fixed | Rg2 | 12k Ω | $\pm 2\%$ | 200ppm/ $^{\circ}\text{C}$ |
| | | | 13k Ω | $\pm 5\%$ | 200ppm/ $^{\circ}\text{C}$ |
| | 60kHz fixed | Rg3 | 27k Ω | $\pm 5\%$ | 200ppm/ $^{\circ}\text{C}$ |

*2) For connection in Fig.2, Ro range: 0 to 100 Ω

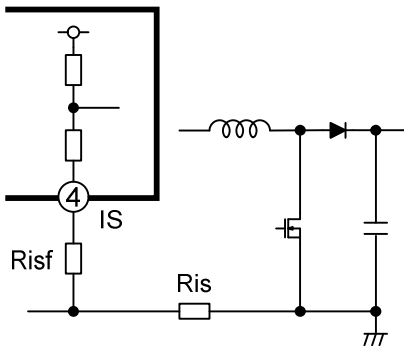


Fig.1 IS pin-connected filter resistance

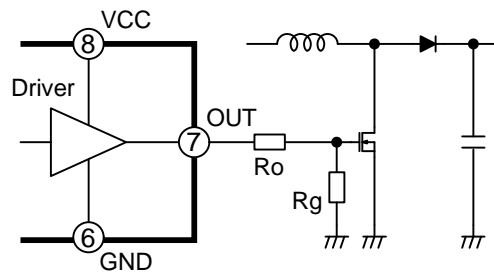


Fig.2 Frequency setting resistance

(3) Electrical Characteristics (Unless otherwise specified, $V_{fb}=2.5V$, $V_{vcmp}=2.5V$, $V_{vdet}=0V$, $V_{is}=0V$, $V_{icmp}=2.0V$, $V_{cc}=18V$, $R_g=4.7k\Omega$, $T_j=25^\circ C$)

“+” shows sink and “-” shows source in current prescription.

Voltage amplifier (FB, VCMP pin)

| Item | Symbol | Condition | Min. | Typ. | Max. | Unit |
|---|---------|----------------------------------|----------------|----------------|----------------|-----------|
| Voltage feedback input threshold | Vref | Ivcmp = 0 μ A | 2.450 | 2.500 | 2.550 | V |
| Line regulation | Regline | Vfb = Vref, Vcc = 10V to 26V | - 12.5 | - | 12.5 | mV |
| Temperature stability | VrefdT | Vfb = vref, Tj = - 30°C to 150°C | - 0.5 | - | 0.5 | mV/°C |
| Transconductance | Gmv | Vfb = Vref \pm 0.3V | 70 | 90 | 120 | μ mho |
| VCMP output current | Ivsrc | Source : Vfb = 1.5V | - 70 | - 50 | - 30 | μ A |
| | Ivsnk | Sink : Vfb = 3.5V | 30 | 50 | 70 | μ A |
| VCMP output H voltage | Vvcmph | Vfb = 1.5V | - | - | 5.5 | V |
| VCMP transient response output current | Iresp | Source : Vfb = 1.5V | - 170 | - 140 | - 110 | μ A |
| VCMP transient response detection voltage | Vresp | | 0.902 *Vref | 0.940 *Vref | 0.978 *Vref | V |

Current amplifier (ICMP pin)

| Item | Symbol | Condition | Min. | Typ. | Max. | Unit |
|--------------------|--------|---|------|------|------|-----------|
| Transconductance | Gmc | Vis = - 0.2V to - 0.4V, Vvdet *1 | 40 | 60 | 80 | μ mho |
| Output current | Icsrc | Source : Vvdet = 3.5V | - 70 | - 50 | - 30 | μ A |
| | Icsnk | Sink : Vis = -2.0V, | 30 | 50 | 70 | μ A |
| ICMP clamp voltage | Vclamp | Vicmp = 3.0V licmp max = 320 μ A | 2.6 | 2.7 | 2.9 | V |

 *1 Vvdet is for when Vis = -0.3V, licmp = 0 μ A

Multiplier

| Item | Symbol | Condition | Min. | Typ. | Max. | Unit |
|----------------------------|---------|--|-------|------|------|---------|
| VDET input bias current | Ivdet | Vvdet = 0V, | - 1.5 | -0.5 | 0 | μ A |
| VCMP threshold voltage | Vthvcmp | Vvdet = 2.4V | 0.3 | 0.5 | 0.7 | V |
| Output voltage coefficient | K | Vvcmp = 1V, licmp = 0 μ A Vvdet = 0.3V, 1.3V Vis = 0.1V to -0.2V | 0.5 | 0.70 | 0.95 | - |

Oscillator

| Item | Symbol | Condition | Min. | Typ. | Max. | Unit |
|---|----------|--|-------|------|------|--------|
| Frequency diffusion (reference frequency) | Fswref | Vvdet = 0.88V, Vis = - 0.18V, Vvcmp *1, licmp = 0 μ A, | 54 | 60 | 66 | kHz |
| Frequency temperature stability | FswrefdT | Vvdet = 0.88V, Vis = - 0.18V, Vvcmp *1, licmp = 0 μ A, Tj = -30°C to 125°C | -0.06 | - | 0.06 | kHz/°C |
| Frequency diffusion (maximum frequency) | Fswmax | Vvcmp = 0V, Vvdet = 2.4V | 64 | 68 | 70 | kHz |
| Frequency diffusion, (minimum frequency) | Fswmin | Vvcmp = 0V, Vvdet = 0V | 50 | 52 | 55 | kHz |
| Fixed frequency 1 | Fsw1 | Vout2 < Vout | 54 | 60 | 66 | kHz |
| Fixed frequency 2 | Fsw2 | Vout1 < Vout < Vout2 | 58.5 | 65 | 71.5 | kHz |
| Maximum duty cycle | DMAX | Vvdet = 2.4V, ICMP no connect | 91 | 94 | 97 | % |

 *1 Vvcmp is for when Vvdet = 0.88V, Vis = -0.18V, licmp = 0 μ A

Overvoltage protection comparator (FB pin)

| Item | Symbol | Condition | Min. | Typ. | Max. | Unit |
|----------------------------------|--------------|---|--------------|------------|-------------|------|
| Static OVP threshold voltage | Vsovp | Vfb = 2.5V to 2.9V, Vvcmp = 0V, Vvdet = 0V | 1.070*Vref | 1.090*Vref | 1.105*Vref | V |
| Hysteresis | Vsovphys | Vfb = 2.9V to 2.5V, Vvcmp = 0V, Vvdet = 0V | 0.005*Vref | 0.020*Vref | 0.040*Vref | V |
| Static OVP temperature stability | VsovpdT | Vfb = 2.5V to 2.9V, Vvcmp = 0V Vvdet = 0V, Tj = -30°C to 125°C | -0.0001*Vref | - | 0.0001*Vref | V/°C |
| Dynamic OVP threshold voltage | Vdovp | Vfb = 2.5V to 2.8V, Vvcmp = 1V, Vvdet = 2V | 1.025*Vref | 1.050*Vref | 1.075*Vref | V |
| Δ OVP | Δ OVP | Vsovpn - Vdovp | 50 | 95 | 140 | mV |

FB short detection comparator (FB pin)

| Item | Symbol | Condition | Min. | Typ. | Max. | Unit |
|-------------------------|--------|-------------------------------|------|------|------|------|
| Input threshold voltage | Vthfb | Vfb = 0V to 1V, Vvcmp = 0V | 0.1 | 0.3 | 0.5 | V |
| Pull-down resistance | Rfb | Vfb = 2.5V | 2.0 | 2.5 | 3.0 | MΩ |

Overcurrent detection comparator (IS pin)

| Item | Symbol | Condition | Min. | Typ. | Max. | Unit |
|--|---------|--|--------|-------|--------|-------|
| IS offset voltage | Visof | Vvdet = -0.25V, Vvcmp = 0.6V | 0 | 30 | 60 | mV |
| IS pin voltage | Vis_054 | Vvdet = 0.54V, Vvcmp = 5.0V | -0.43 | -0.38 | -0.33 | V |
| IS threshold voltage | Vocpl | Vvdet max = 1.2V, Vvdet min = 0V, Fvdet = 50kHz, Dvdet=50% | -0.525 | -0.50 | -0.475 | V |
| | Vocph | Vvdet max = 1.8V, Vvdet min = 0V, Fvdet = 50kHz, Dvdet=50% | -0.432 | -0.40 | -0.368 | V |
| IS threshold voltage temperature characteristics | VocpldT | Vvdet max = 1.2V, Vvdet min = 0V, Fvdet = 50kHz Dvdet=50%, Vis = -0.4V to -0.6V Tj = -30°C to 125°C | -0.1 | - | 0.1 | mV/°C |
| VDET threshold voltage | Vvdeth | Vvdet max = 1.2V, to 1.8V Vvdet min = 0V, Fvdet = 50kHz Dvdet=50%, Vis = -Vocpl + 0.05V | 1.54 | 1.60 | 1.66 | V |
| | Vvdetl | Vvdet max = 1.8V to 1.0V, Vvdet min = 0V, Fvdet = 50kHz Dvdet=50%, Vis = -Vocpl + 0.05V | 1.30 | 1.35 | 1.40 | V |
| IS threshold change voltage | Vvdets | Vvdet max = 1.8V Vvdet min = 0V, Fvdet = 50kHz Dvdet=50%, Vis = -Vocpl + 0.05V | 0.25 | 0.30 | 0.35 | V |
| Blanking time *1 | Tblk | Vis = -0.6V | 300 | 450 | 600 | ns |
| Delay time | Tdly | Vis = Vocpl + 30mV to 1.0V Pulse signal | 200 | 350 | 500 | ns |
| Input bias current | Iis | Vvcmp = 0V, Vis = 0V | -170 | -120 | -70 | μA |

*1 Includes delay time

Output (OUT pin)

| Item | Symbol | Condition | Min. | Typ. | Max. | Unit |
|--------------------|--------|---|------|------|------|------|
| Output voltage (L) | Voutl | Vfb = 0V, Vvcmp = 0.3V, Vicmp = 3V to 2V, Sink : Iout = 100mA | - | 0.5 | 1.0 | V |
| Output voltage (H) | Vouth | Vvcmp = 0.3V, Vicmp = 3V to 2V, Source : Iout = -100mA | 15.5 | 16.5 | - | V |
| Output rise time | Tr | CL = 1nF | - | 50 | - | ns |
| Output fall time | Tf | CL = 1nF | - | 50 | - | ns |

Frequency setting (OUT pin)

| Item | Symbol | Condition | Min. | Typ. | Max. | Unit |
|---------------------------|--------|---|------|------|------|------|
| Detection current | Istate | T _J =-30°C to 125°C | 34 | 40 | 46 | μA |
| OUT threshold voltage | Vout1 | T _J =-30°C to 125°C | 260 | 310 | 390 | mV |
| | Vout2 | T _J =-30°C to 125°C | 700 | 760 | 830 | mV |
| Frequency setting time *1 | Tset | V _{vcmp} = 0V, V _{vicmp} = 0V V _{fb} = 2V | 4.1 | 5.9 | 7.7 | ms |
| Detection time *2 | Tdet | V _{vcmp} = 0V, V _{vicmp} = 0V V _{fb} = 2V | 420 | 530 | 640 | μs |

*1: Time elapsing until detection current is outputted from OUT pin after removal of UVLO

*2: Period during which detection current is outputted from OUT pin

Low voltage protection (VCC pin)

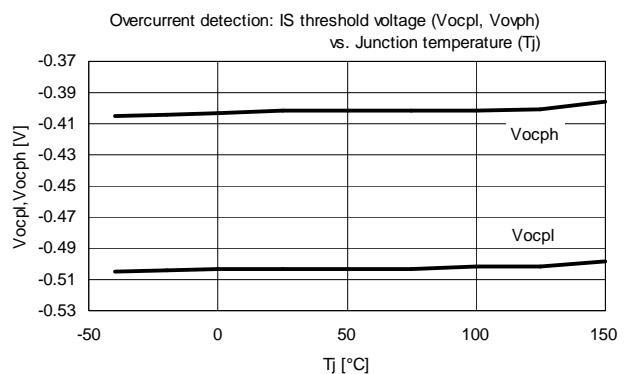
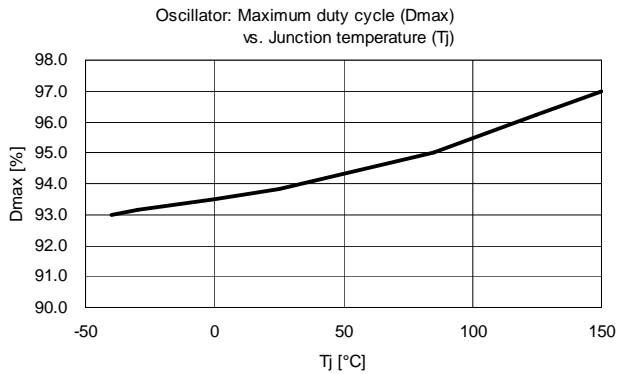
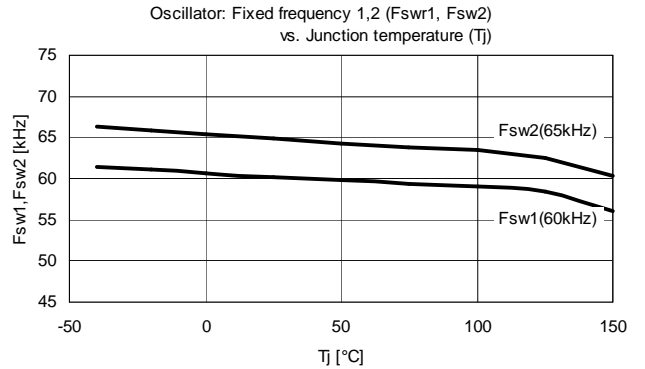
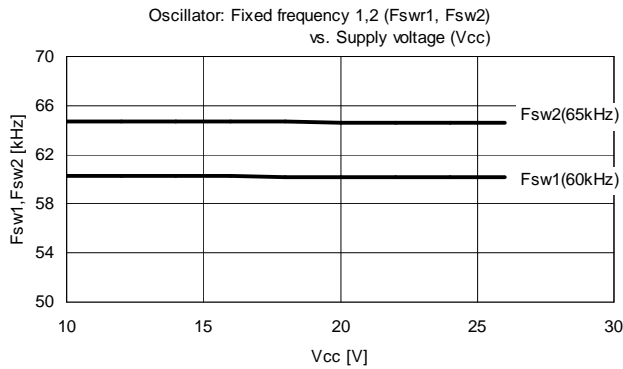
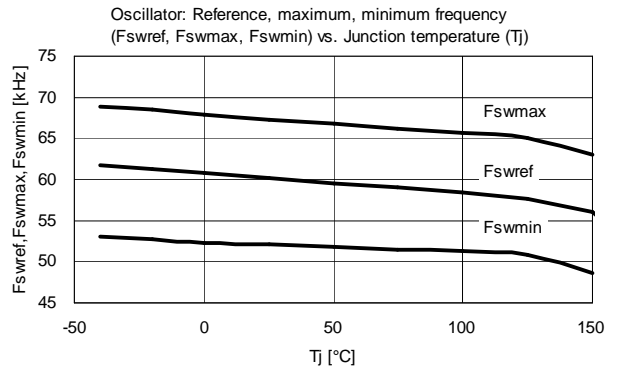
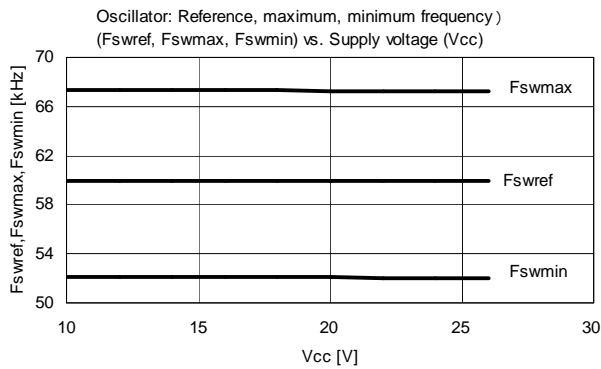
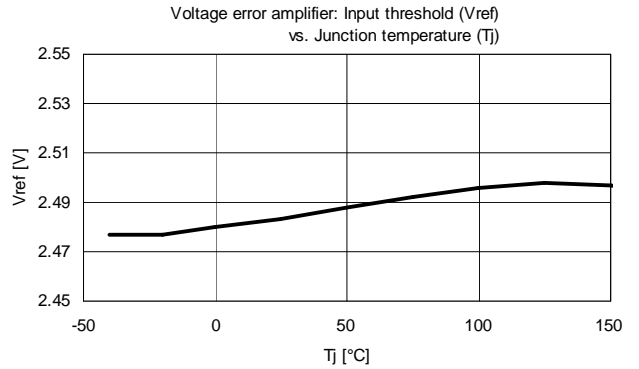
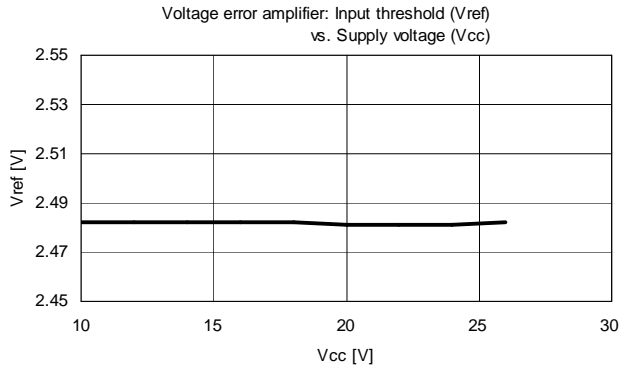
| Item | Symbol | Condition | Min. | Typ. | Max. | Unit |
|-----------------------|-------------------|--------------------------------------|------|------|------|------|
| ON threshold voltage | V _{con} | FA5612: V _{cc} = 8V to 11V | 8.6 | 9.6 | 10.6 | V |
| | | FA5613: V _{cc} = 11V to 15V | 11.5 | 13 | 14.5 | V |
| OFF threshold voltage | V _{coff} | V _{cc} = 11V to 7V | 8.0 | 9.0 | 10.0 | V |
| Hysteresis | V _{chys} | FA5612 | 0.4 | 0.6 | 0.8 | V |
| | | FA5613 | 3.5 | 4.0 | 4.5 | V |

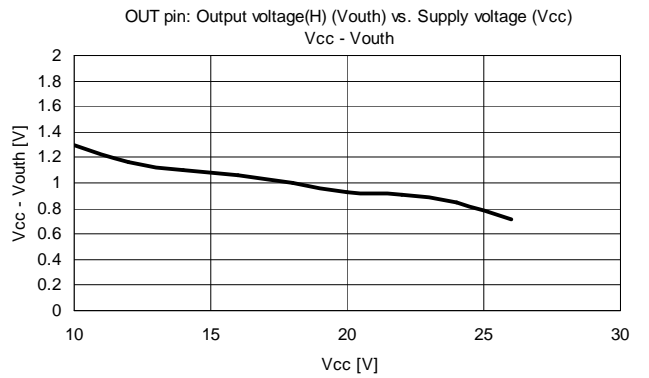
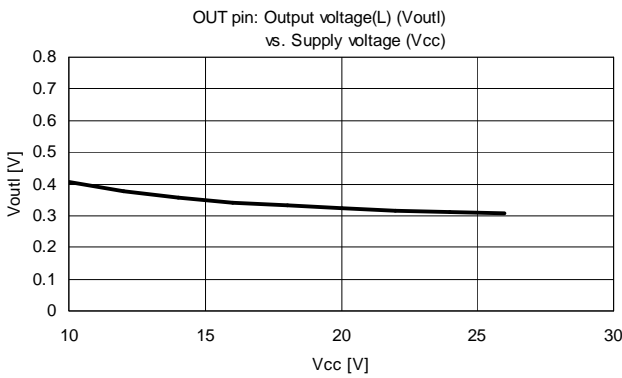
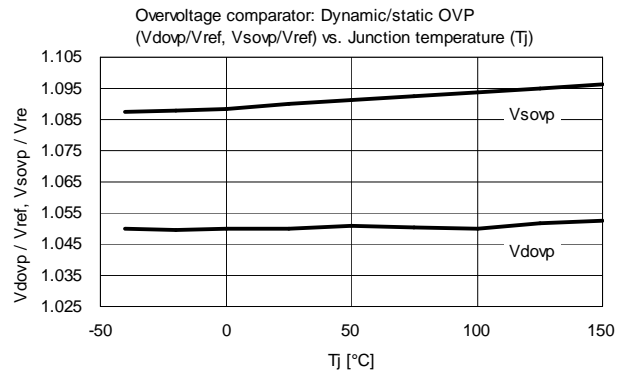
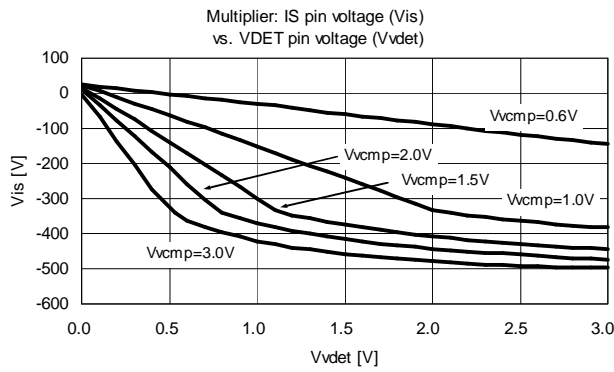
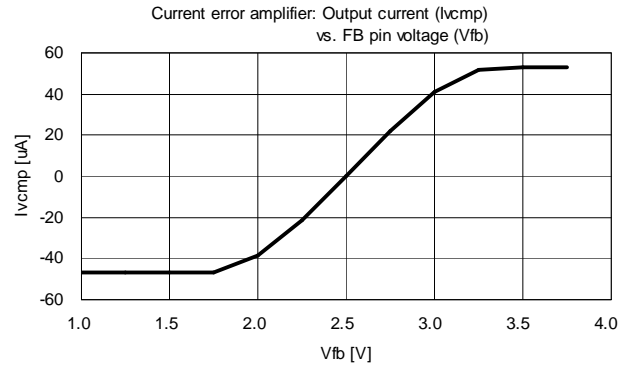
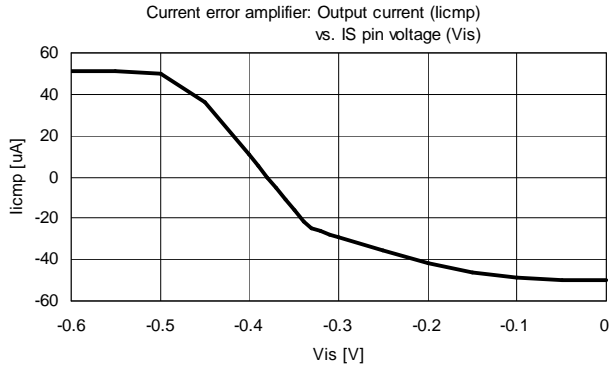
All devices (VCC pin)

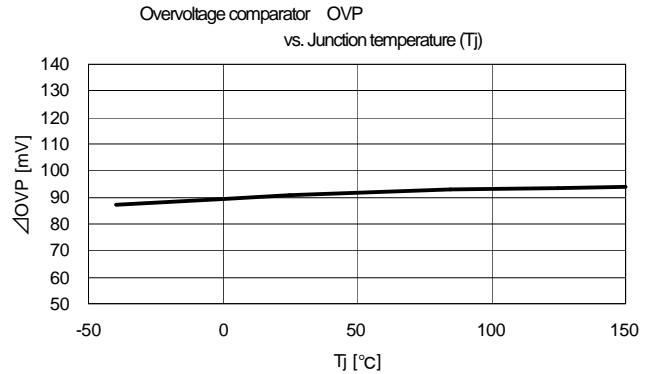
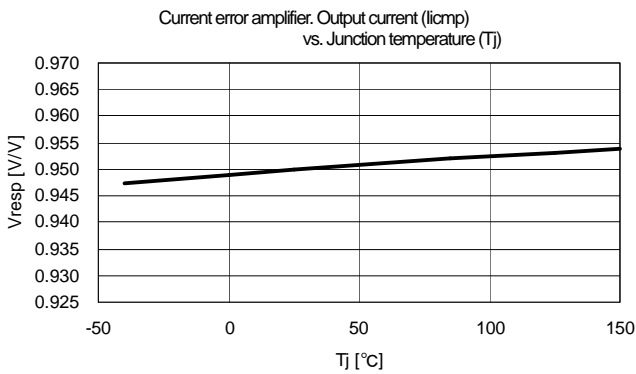
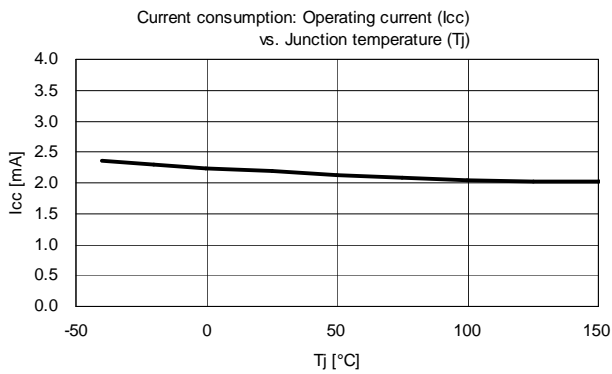
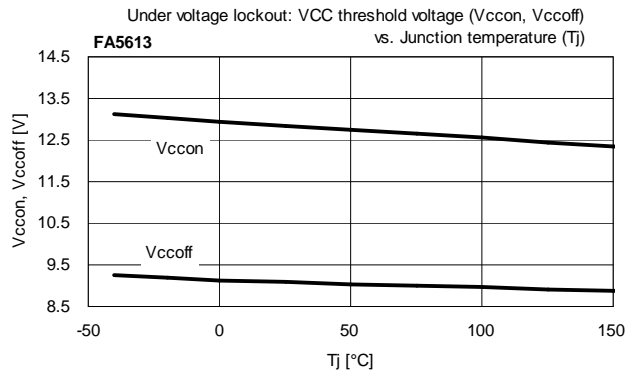
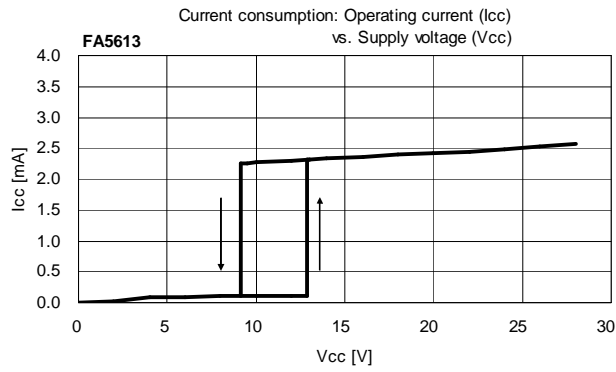
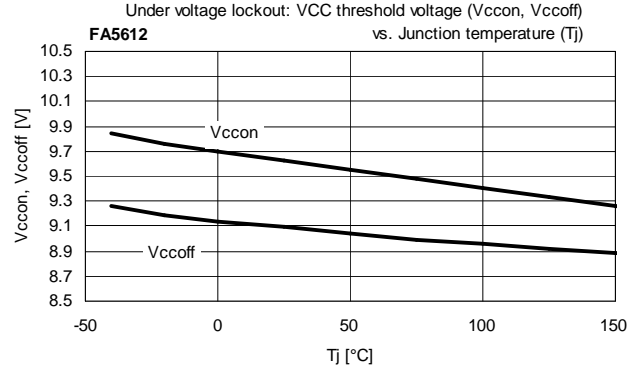
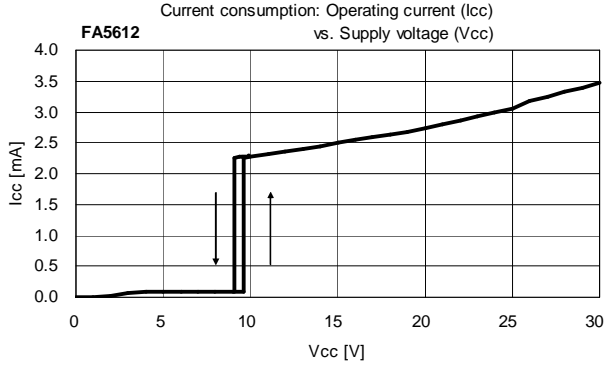
| Item | Symbol | Condition | Min. | Typ. | Max. | Unit |
|-------------------|--------------------|---|------|------|------|------|
| Start-up current | I _{start} | V _{cc} = 8V, V _{vcmp} = 0V V _{vicmp} = 0V | 70 | 90 | 110 | μA |
| Operating current | I _{cc} | OUT pin no load | - | 2.0 | 4.0 | mA |
| OFF time current | I _{ccoff} | OUT pin no load V _{vcmp} =0V | - | 1.8 | 3.8 | mA |
| Standby current | I _{stb} | V _{cc} = 18V, V _{fb} = 0V V _{vcmp} =0V, V _{vicmp} = 0V | 80 | 110 | 180 | μA |

8. Characteristics curves

(Unless otherwise specified, $V_{fb} = 2.5V$, $V_{vcmp} = 2.5V$, $V_{vdet} = 0V$, $V_{is} = 0V$, $V_{icmp} = 2.0V$, $V_{cc} = 18V$, $R_g = 4.7k\Omega$, $T_j = 25^\circ C$)







9. Outline of circuit operation

FA5612/FA5613 are controllers for power factor correction converter using boost topology. These IC are designed for the CCM mode operation with the average current control.

The operations, (1) Switching and (2) Power factor collection, are explained as below with the simplified circuit diagram shown in Fig.1.

(1) Switching operation

Fig. 2 outlines the waveform of each part of switching operation at a steady state. The operation is as follows.

- I. Set signal of switching frequency outputted from the oscillator sets RS. F/F, whereby OUT pin voltage goes high, thus turning on Q1. ... (t1)
- II. Q1 turned on raises the current of L1. The current of L1 is converted by Rs connected on GND side into a voltage and is inputted to IS pin (VIS). VIS is compared by current amplifier (CUR. AMP) with reference voltage that is obtained via arithmetic output by multiplier (MUL) from input voltage monitoring VDET and VCMP that is obtained by feedback from output and error amplification. Current amplifier output (ICMP) is compared by PWM comparator (PWM. COMP) with slope waveform outputted from oscillator and, as soon as it attains the reference value, reset signal enters RS. F/F, thereby turning off Q1. ... (t2)
- III. Q1 turned off inverts the voltage of L1. While a current is being fed to the output via D1, the current of L1 reduces. Set signal outputted from internal oscillator transfers the circuit to the next switching cycle. ... (t1)

(2) Power factor correcting operation

The voltage at VCMP pin that constitutes output of error amplifier (ERR.AMP) is almost DC voltage at a steady state, because of connected phase compensation capacitance. This voltage is inputted to multiplier. Another input to multiplier is a waveform obtained by rectifying AC input voltage. A multiplier multiplies these two of input and outputs a sinusoidal wave proportional to AC input voltage.

This outputted sinusoidal voltage waveform is applied as a reference inductor current to current amplifier (CUR.AMP). Therefore, the inductor current's mean value forms a sinusoidal waveform. The current of inductor L1 is deprived of switching ripples by C1 and is tuned into an average current. Thus, the current from AC input voltage becomes practically sinusoidal, thus improving the power factor.

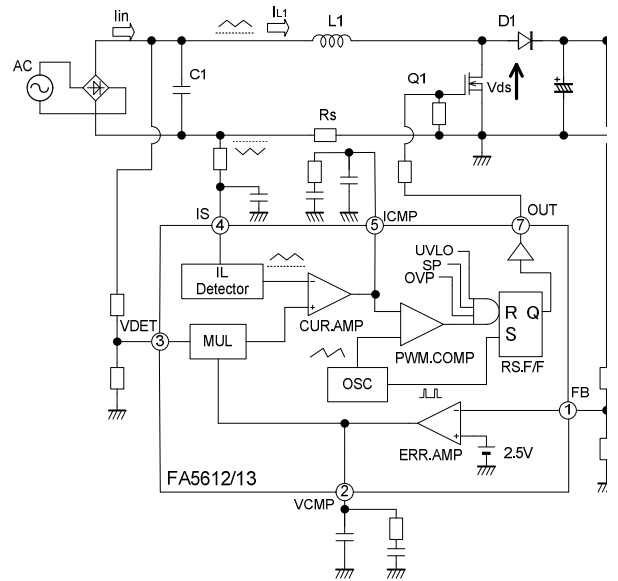


Fig.1 Block diagram of operating circuit

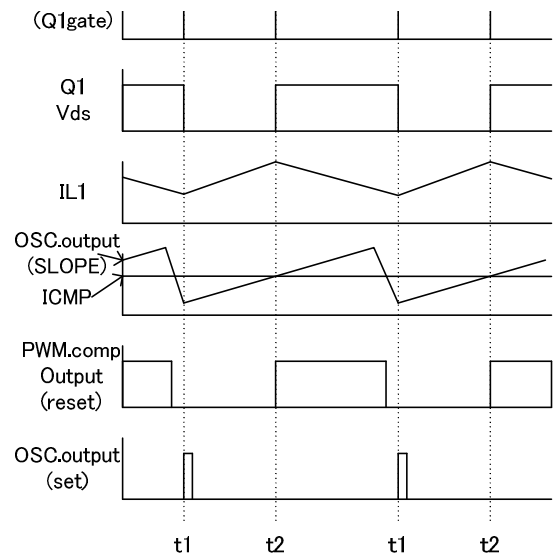


Fig.2 Waveforms of switching operation (outline)

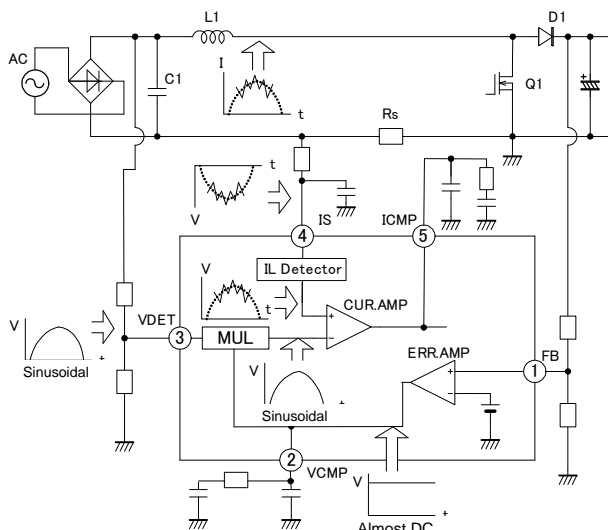


Fig.3 Aspects of waveforms at different parts

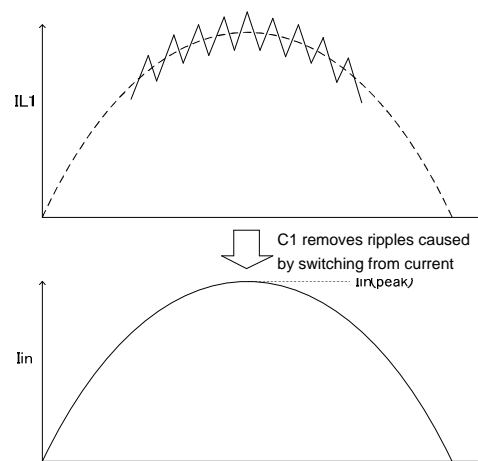


Fig.4 Power factor corrected waveform

10. Description of each circuit block

(1) Frequency setting circuit

The switching frequency is selectable out of 3 modes by resistance Rg connected between OUT and GND pins.

- Mode 1: Frequency diffusion 50 kHz to 70 kHz
- Mode 2: Fixed frequency 1 65 kHz
- Mode 3: Fixed frequency 2 60 kHz

The status setting is completed after FB short detection or UVLO are canceled. The switching operation will start after this completion. Therefore, the mode will not change while operating.

As an example, the operation of frequency setting which is in case of a cancellation of UVLO is shown in Fig. 6.

IC starts to operate after Vcc exceeds Vcon. Then after 5.9ms, the OUT pin outputs current Istate (40mA (typ.)) during 530us.

The current generates a voltage at OUT pin because external resistors (Ro and Rg) are connected to OUT pin.

The frequency setting is done with based on this OUT pin voltage.

The internal circuits start switching operation after frequency setting.

Likewise, in case of cancellation of FB short detection, 5.9ms after the cancellation, a current is outputted from OUT pin for 530us, and then switching starts.

OUT pin has in its inside reference voltages of 2 levels, or Vout1 (310mV (typ.)) and Vout2 (760mV (typ.)) To select a frequency, a reference voltage is compared with OUT pin voltage while current Istate is flowing. The relationship is as follows.

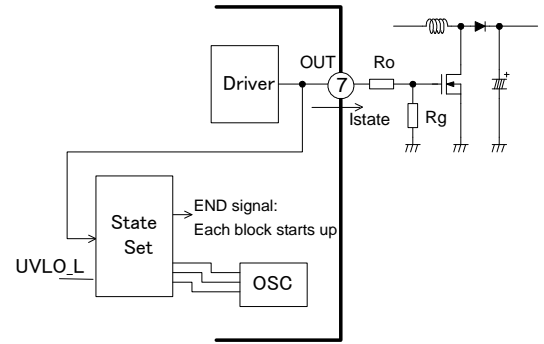


Fig.5 Frequency setting circuit

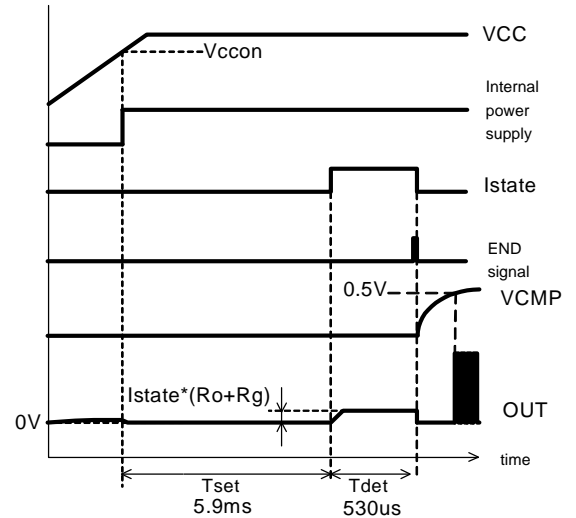


Fig.6 Frequency setting sequence

| OUT pin voltage | OUT pin < Vout1 | Vout1 < OUT pin < Vout2 | Vout2 < OUT pin |
|-----------------|---------------------|-------------------------|-----------------------|
| Mode | Mode1 | Mode2 | Mode3 |
| Frequency | Frequency diffusion | Fixed frequency 65kHz | Fixed frequency 60kHz |

(2) Oscillator

Oscillator outputs two signals. One is a set signal to flip-flop for setting the OUT pin to Vcc level. Another is a sawtooth signal for PWM comparison.

The oscillation frequency is set by frequency setting circuit to either the frequency diffusion mode or 2 kinds of the fixed frequency mode.

(2-1) Frequency diffusion

When the frequency diffusion mode is selected, the frequency changes between 50 and 70 kHz according to the input/output status of PFC power supply. The optimized frequency diffusion based on input/output status realizes a low noise operation with a wide operation range.

OSC block determines the frequency based on VDET pin input voltage and multiplier block output voltage. When the phase angle is range of 0° to 30° or 150° to 180° approximately, the frequency rises in proportion to VDET pin voltage. When it is range of 30° to 150° approximately, the frequency is reversely proportional to the multiplier output. (Fig.8)

When the multiplier output is high like when PFC output current is large, the frequency drop is bigger. And it is small in case of reverse situation.

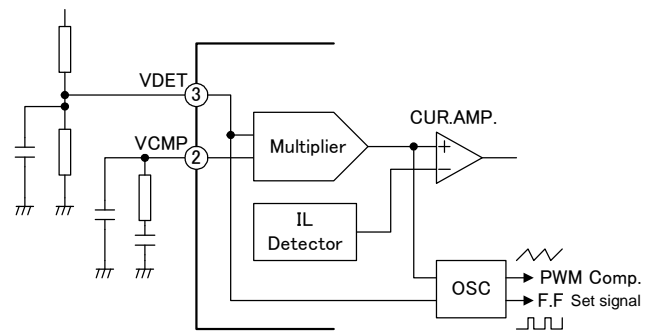


Fig.7 Block diagram for oscillator area

The approximate frequency (Fsw_b) is given by an equation below when the phase angle is range of 30° to 150°.

$$F_{sw_b} = 75 - 71.4 \times (\text{IS pin voltage}) \text{ [kHz]}$$

(2-2) Maximum and minimum frequencies in frequency diffusion mode
 As stated above, the switching frequency in the frequency diffusion mode depends on VDET pin or multiplier output voltage within maximum and minimum frequencies determined. However, maximum or minimum frequency may never appear under some conditions while 1/2 of AC cycle.

(3) Error amplifier

The error amplifier is a circuit for controlling PFC output to a certain level. This IC adopts a transconductance amplifier. The non-inverting input terminal for the error amplifier is connected to the internal reference voltage of 2.5 V (typ.). The inverting input terminal (FB) receives the output voltage, usually resistively divided, from power factor correction converter. For FB open detecting function, this terminal is connected to a pull-down resistor of 2.5MΩ inside the IC. Error amplifier output (VCMP) is connected to multiplier (MUL) to control the inductor current.

Output voltage Vout of power factor correction converter usually contains a lot of ripples of double the AC line frequency (50 or 60 Hz). When ripples corresponding to double the AC frequency appear excessively on the error amplifier output, power factor correction converter will not operate stably. So, a capacitor and resistor network is connected between pin 2 (VCMP) which is output of the error amplifier and GND for phase compensation. Increasing the capacitance in the phase compensation network improves the power factor, but the transient responsivity becomes slow.

The error amplifier in FA5612/13 has a function of improving the transient responsivity.

When the load has suddenly become so heavy, the FB pin voltage drops much. If lowered FB pin voltage is below transient response detection voltage (Vresp), the transient response correction circuit increases output current of error amplifier up to the transient response output current (Iresp). Thus, the VCMP pin voltage rises quickly to increase the output current and suppress the output voltage drop.

(4) Overvoltage protection circuit (OVP)

This is a circuit for limiting the voltage when the output voltage of power factor correction converter has exceeded the setting.

When converter is started up or when the load has suddenly changed, the converter output voltage may rise beyond the setting. In such a case, OVP circuit prevents an over voltage and protects the converter.

FA5612/13 has a dynamic OVP function and a static OVP function. The dynamic OVP function restricts the multiplier gain depending on rising of FB pin voltage while FB pin voltage exceeds 2.5 V. The static OVP function makes OUT pulses stop while FB pin voltage exceeds 1.09 time of the reference voltage.

In normal operation, the FB pin voltage is 2.5 V that is almost the same as the reference voltage of error amplifier.

When the FB pin voltage exceeds 2.5 V by startup or a sudden change of load, the dynamic OVP function reduces output current by lowering the multiplier gain. Then, if the FB pin voltage still rises and exceeds the reference voltage of a static OVP function, FA5612/13 stops the output pulses.

OUT pulses stopped by the overvoltage protection are resumed as soon as the output voltage lowers back to 1.07 times the reference voltage.

(5) FB short/open detector

On the circuit of Fig. 10, if the FB pin voltage is zero because of R2 short or R1 open, the error amplifier can not control the constant voltage. Therefore, the output voltage rises abnormally. In such a case, the overvoltage protection circuit could not operate because the output voltage detection is faulty.

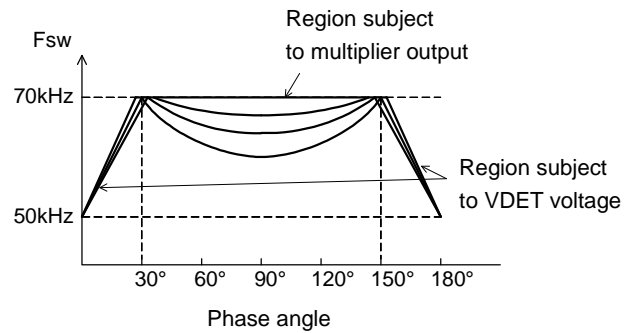


Fig.8 Oscillation frequency vs. phase angle

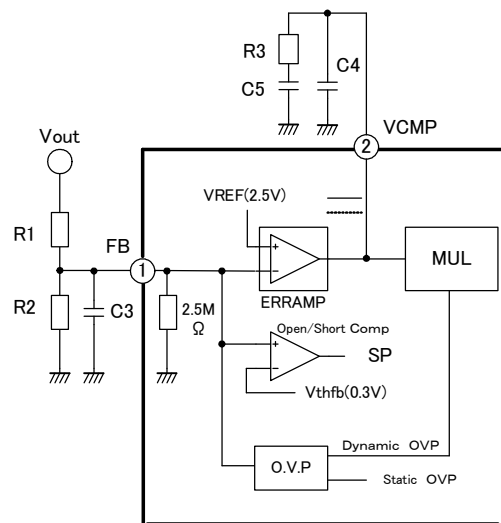


Fig.9 Error amplifier and overvoltage protection circuit

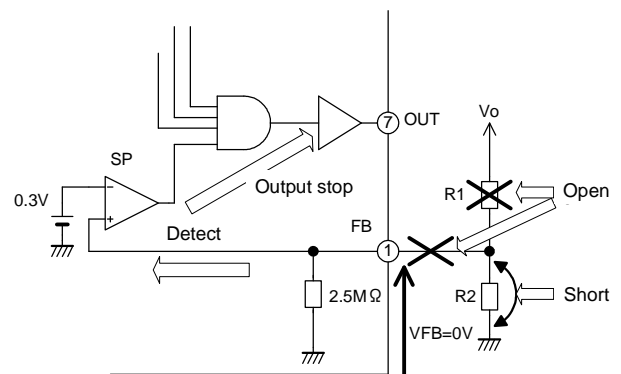


Fig.10 FB open/short detector

To avoid such inconvenience, the IC has FB short detector. The circuit consists of reference voltage of 0.3 V (typ.) and comparator (SP). When the FB pin input voltage has dropped below 0.3 V because of R2 short or R1 open, the output of comparator (SP) is inverted to stop the IC output.

The PFC converter outputs a voltage corresponding to the input voltage even before startup because of the boost topology. That is why, this function never operate as long as the converter is normal. In case of an open failure of the FB pin FA5612/13 stops the output pulse by this function because a pull-down resistor of 2.5 MΩ inside the IC is connected to the FB pin. If the FB pin voltage has dropped to almost zero, the IC output will stop. When the FB pin voltage returns normal then, OUT pulses will reappear.

(6) Multiplier

Multiplier is the circuit for controlling the input current as the sinusoidal wave forms the same as input voltage. An input is connected to VDET pin and is inputted the dividing voltage after being rectified from AC input voltage. The other input is connected to error amplifier output (VCMP). Normally, the error amplifier output is almost DC, and multiplier outputs a sinusoidal waveform voltage whose amplitude changes according to the error amplifier output voltage. The multiplier output constitutes a reference for current comparator to control the input current to a sinusoidal waveform (Fig. 11).

It usually makes MUL pin peak voltage set to 0.65 to 2.4 V in the all AC input range. The voltage obtained by rectifying the AC input voltage contains many noises attributable to switching by Q1. To eliminate the influence by the noise, filtering capacitance C6 is provided usually.

(7) Current detector

IL Detector inverts and amplifies a voltage obtained by voltage-current conversion via current detecting resistance Rs of the inductor current. Current amplifier (CUR. AMP) is error amplifier that composes a current loop to make the input current follow a sinusoidal waveform. Current amplifier receives IL Detector output and multiplier (MUL) output, subjects them to comparison and error amplification, and outputs the result to PWM comparator (PWM. COMP). Current amplifier is a transconductance amplifier the same as error amplifier. Capacitance and resistance connected between output terminal (ICMP) and GND for phase compensation eliminate switching ripples of the input current. The current detector output is clamped to Vclamp: 2.7 V by clamp circuit that constitutes an upper limit of voltage.

(8) Overcurrent protection circuit (OCP)

OCP circuit is the circuit to detect the inductor current, and is to stop the output pulse to protect MOSFET when detected current exceeds certain intensity. A detected voltage by sense resistor Rs connected to GND is inputted to the IS pin, is converted by the IL_Detector which is an inverting amplifier, and is compared by overcurrent detection comparator. When IS pin voltage lowers below a threshold value (OCP level), overcurrent protection circuit outputs a signal of an overcurrent status. The signal of overcurrent status resets a flip-flop for the OUT pulse, and then turns MOSFET off. When IS voltage gets near a threshold value, overcurrent protection circuit lowers the gain of multiplier (MUL) to suppress the input current, thereby suppressing the audible noise of inductor attributable to an overcurrent.

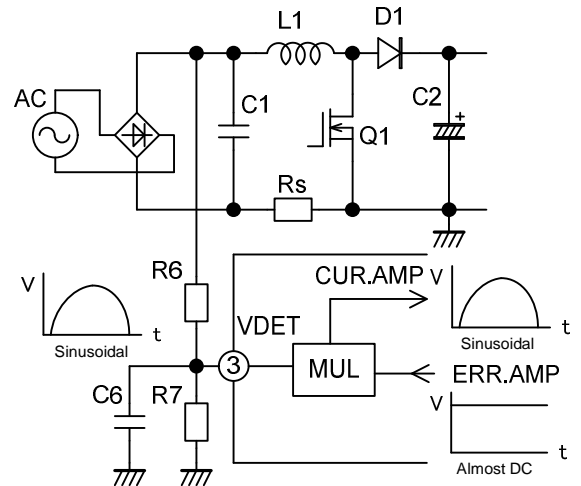


Fig.11 Multiplier

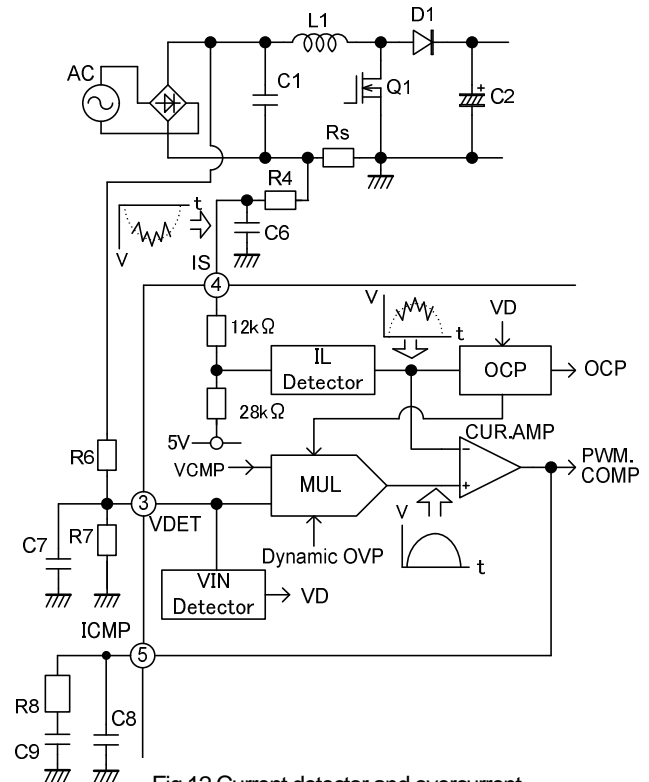


Fig.12 Current detector and overcurrent protection circuit

OCP level is changed depending on the peak voltage of VDET pin by VIN_Detector as follows.

While period A, OCP level is set to Vocph (-0.4 V) because VDET pin voltage exceeds threshold voltage Vvdeth (1.6 V). OCP level is changed only when VDET pin voltage is below Vvdets (0.3V). At this time, the inductor current is low enough, and therefore will not abruptly change. Further, if the load current is very low such VDET will not be below 0.3 V, the OCP level will not change over regardless of VDET.

During period B, VDET will never go below threshold voltage Vvdett: 1.35 V. Therefore, OCP level will not change either.

Some time in period C, VDET will be below threshold voltage Vvdett: 1.35 V, whereby OCP level is set to Vocpl (-0.5 V). The same as period A, OCP level is changed only when VDET pin voltage is below Vvdets (0.3 V).

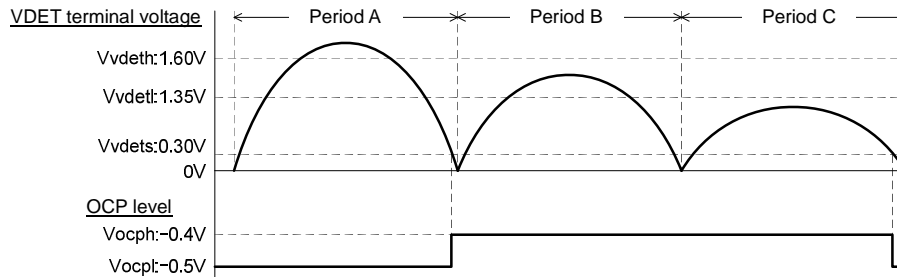


Fig.13 Overcurrent protection (OCP) level and VDET voltage

(9) Undervoltage lockout circuit (UVLO)

FA5612/13 has the UVLO circuit to avoid unexpected operation when the source voltage has dropped.

The IC starts operation when the source voltage rising from zero has reached 9.6 V (typ.) for FA5612, or 13 V (typ.) for FA5613.

After startup, each of ICs stops operating when the source voltage has dropped to 9 V (typ.)

While the IC stops a switching operation by UVLO circuit, the IC keeps OUT pin voltage low and further reduces IC consumption current to below 100 μA.

(10) Output circuit

The output circuit consists of a push-pull circuit, directly drives MOSFET.

Its maximum peak current is 1.5 A for sink, and 1.5 A for source.

(11) Zero current correction circuit

Unless multiplier output or current error amplifier input has offset voltage, the input current to converter will be almost zero when PFC converter has completely no load.

However, if the offset voltage viewed from IS pin is negative, the input current corresponding to offset voltage might flow to converter even when no load or light load. In such a case, the output voltage of power factor correction converter will rise abnormally because the input current will be excessive.

Offset voltage in the IS pin (Visof) is 0 mV. However, the offset voltage of the IS pin against sense resistor voltage may be negative because a voltage will be generated by an external filter resistance connected to the IS pin. Therefore, FA5612/13 has this correction circuit to avoid rising the output voltage when light load with such case.

Usual output voltage from error amplifier is 0.5 V or higher. When its output voltage has dropped below 0.5 V, zero current correction circuit operates.

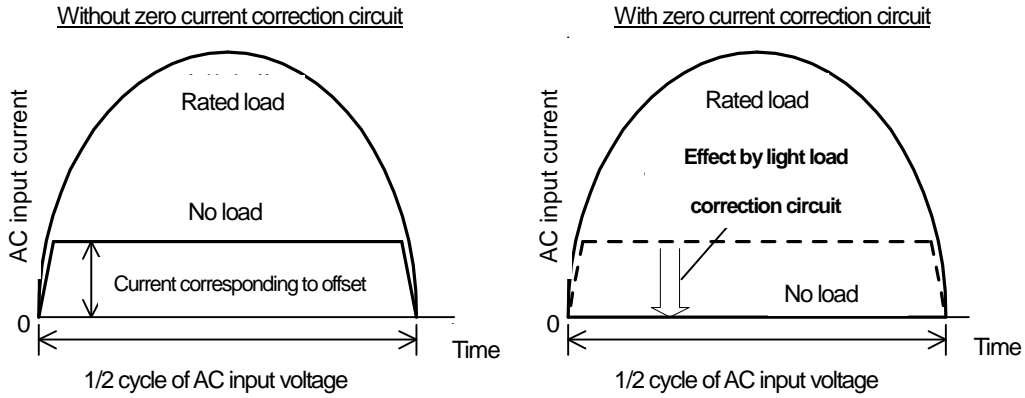
Error amplifier output voltage drops below 0.5 V when an input current flows under no or light load on account of offset in multiplier output or current error amplifier input. Then, zero current correction circuit corrects the offset voltage of multiplier output. This function prevents the output voltage of power factor correction converter from rising excessively, so that the output voltage is kept at a constant level.

The correction amount varies in a linear function of the output of current error amplifier, thereby ensuring a stable run.

Fig. 14 shows effects of zero current correction circuit.

Consumption diagram of operations when IS pin offset is negative

Input current



Output voltage

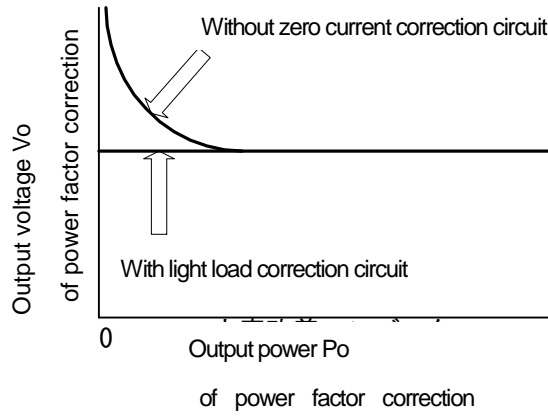


Fig.14 Effects of zero current correction circuit

11. Description of use for each pin

(1) Terminal No.1 (FB pin)

Functions

- (i) Inputs feedback signal of output voltage setting
- (ii) Detects FB pin open/short
- (iii) Detects output overvoltage state

Applications

- (i) Feedback signal input

▪ Wiring

Connect the node of dividing resistance for output voltage setting

▪ Operation

The PFC output voltage is controlled so that the FB pin voltage will correspond to the internal reference voltage (2.5 V).

For FB pin open circuit, FB pin is connected with pull-down resistance in IC inside. Therefore, take its resistance into account when choosing the resistance of R1 and R2 to set the output voltage (Vout).

$$V_{out} = (R2 + R_{fb}) / (R2 \times R_{fb}) \times V_{REF} \times R1 + V_{REF}$$

where:

VREF: Reference voltage = 2.5 V (typ.)

Rfb: FB pin pull-down resistance = 2.5 MΩ (typ.)

To avoid an erratic operation by noises, connect capacitance C3 of 100 to 3300 pF between FB pin and GND.

- (ii) FB pin open/short detection

▪ Wiring

Same as feedback signal input in (i)

▪ Operation

When, on account of FB pin open circuit or short circuit of R2 in resistive divider, the FB input voltage has dropped below 0.3 V, the output of comparator (SP) is inverted, thereby stopping the IC output.

- (iii) Output overvoltage detection

▪ Wiring

Same as feedback signal input in (i)

▪ Operation

In normal operation, FB pin voltage is almost the same as reference voltage of error amplifier (2.5 V). Like when the output voltage has risen for some reason, if the FB pin voltage reaches comparator reference voltage (1.09*VREF), comparator (OVP) output is inverted to stop OUT pulses. As soon as output voltage returns to a normal level, OUT pulses are recovered.

(2) Terminal No.2 (VCMP pin)

Function

- (i) Phase compensation of output of incorporated voltage error amplifier (ERRAMP)

Application

- (i) Phase compensation of incorporated ERRAMP output

▪ Wiring

Connect R and C between COMP and GND as shown in Fig. 16

▪ Operation

COMP pin avoids an appearance of the double frequency ripple of the AC line on the FB pin voltage with connecting R and C.

Reference:

Example of applied circuit: C4 = 0.47 μF

C5 = 2.2 μF

R3 = 10 kΩ

The above is an example. Determine them upon sufficiently verifying your instrument.

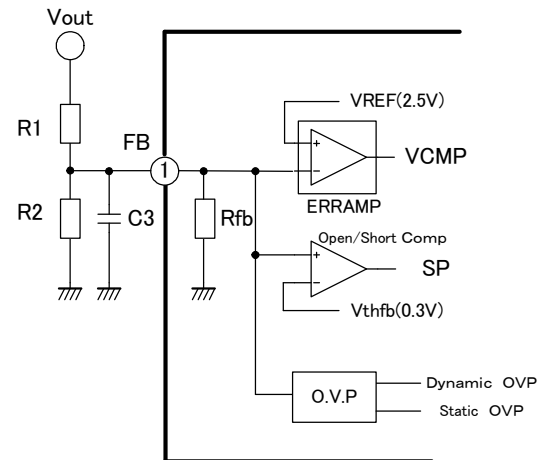


Fig.15 FB pin circuit

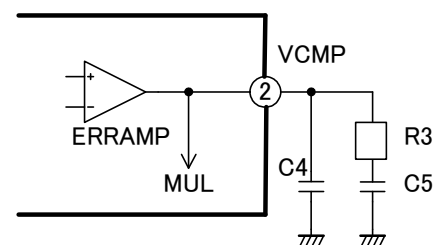


Fig.16 VCMP pin circuit

Besides, Soft start function is realized by slowing a voltage rise of COMP pin with adjustment of capacitance connected between COMP and GND.

When starting, VCMP voltage rises and a switching operation starts at 0.5 V. At this time, MOSFET ON width increases gradually in proportion to the COMP voltage rise. The soft start time is adjustable with adjustment with changing capacitors C4 and C5.

- Increasing C4, C5 capacitance → prolongs soft start time
- Decreasing C4, C5 capacitance → shortens soft start time

(3) Terminal No.3 (VDET pin)

Function

- (i) Input voltage detection (multiplier input)

Application

- (i) Input voltage setting for VDET pin

Multiplier generates current reference signal. Its VDET pin (pin 3) receives sinusoidal full-waveform rectified waveforms. Considering the dynamic range of multiplier operation, VDET pin peak value would be used within 0.65 to 2.4 V. Therefore, set R6 and R7 in Fig. 17 so that the peak voltage of sinusoidal waveforms at VDET pin will be between 0.65 and 2.4 V with the entire range of AC input voltage.

Recommended dividing ratio: R6:R7 = 160:1

Caution:

Because multiplier has dispersions of characteristics, even if VDET pin voltage is 2.4 V or lower, multiplier might be saturated and the input peak current would slightly be truncated like trapezoidal waves.

(4) Terminal No.4 (IS pin)

Functions

- (i) Inductor current detection
- (ii) Turn off OUT output upon detecting an overcurrent

Applications

(i) Via IS pin, inductor current signal is applied to current error amplifier (CUR_AMP) that constitutes a current loop for making the input current follow sinusoidal waveforms. CUR_AMP that is connected with multiplier output receives current reference signal. IS pin is current input terminal, and receives a potential of 0 to -0.4 V with respect to GND level.

(ii) When IS pin voltage is lower than IS threshold voltage, comparator output signal is inverted to turn off OUT output.

▪ Supplement

When MOSFET turns on, MOSFET gate drive current and surge current are generated by discharge of stray capacitance, and then those currents flow to current detecting resistance Rs. An excessively large surge current may cause an erratic operation to disturb the input current waveform. Depending on the surge current intensity, timing, etc., pulse shoots may mix with turn-on parts of IC's OUT pulses. So, RC filter shown in Fig. 18 is connected in generally.

Since the level is determined by resistive division as shown in Fig. 18, 100 Ω or lower is recommended for input resistance R4.

Rated voltage at IS pin for input of inductor current signal is -5 V.

In case of a general boost circuit, a rush current flows for charging the output smoothing capacitance C2 the instant an AC input voltage has been connected. This current may be considerably greater than at a steady operation.

As a result, IS pin may receive a voltage that is far higher than usual. Even if such AC voltage is connected, IS pin must not be exposed to a potential higher than -5 V that is an absolute maximum rated voltage.

There may be the case that a voltage higher than the rated is applied to IS pin. In such case, it needs to use a preventive circuit for suppression of a rush current or to add the Zener diode to IS pin as shown in Fig. 19.

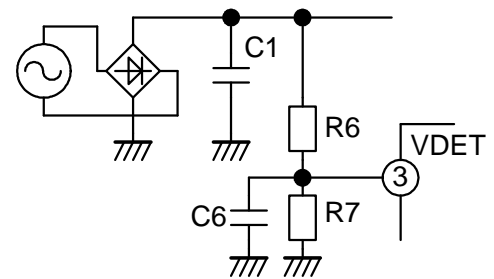


Fig.17 VDET terminal circuit

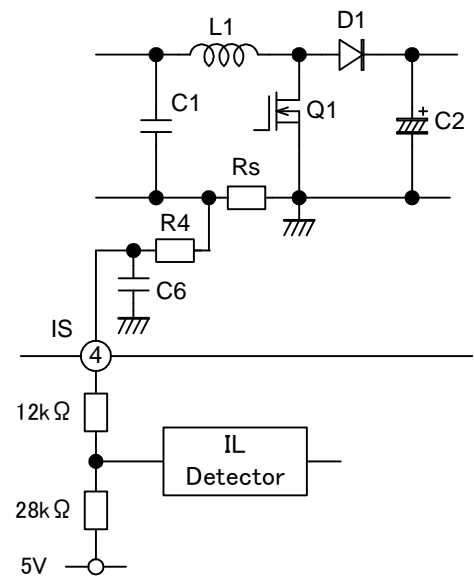


Fig.18 IS pin circuit

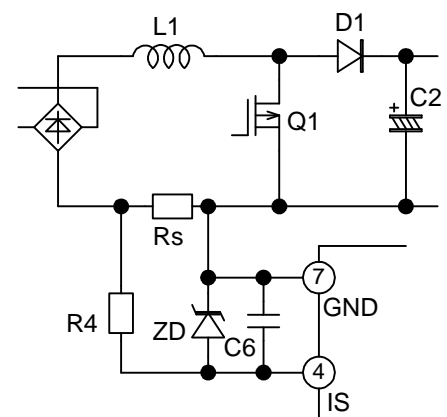


Fig.19 IS pin circuit (2)

Caution:

Maximum power design

It needs a notice about a setting of the sense resistance to output maximum power at whole input condition because a power limitation may occur by IC functions.

Fig. 20 shows a block diagram concerning the input current control.

The VDET voltage is relatively high at high RMS input voltage, and the input current is limited by OCP function shown in the path B of Fig. 20 in such case. (Reference figure is shown in Fig. 21.)

The VDET voltage is relatively low at the low RMS input voltage, and the maximum output voltage of multiplier is low too. So, the input current is limited by the multiplier shown in the path A of Fig. 20 in such case. (Reference figure is shown in Fig. 22.)

This means that the maximum inductor current is limited by an above function unless the reasonable sense resistance is chosen.

Therefore, it needs to choose the sense resistor R_s which satisfies each condition shown in the next page.

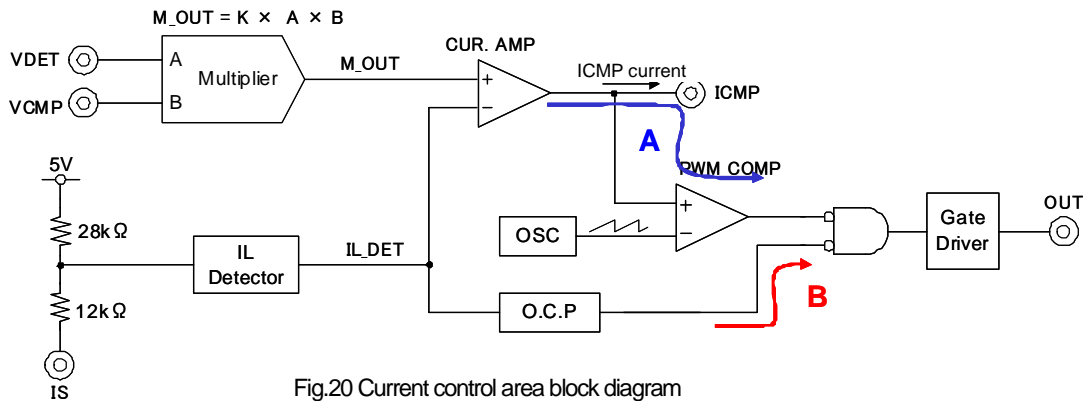


Fig.20 Current control area block diagram

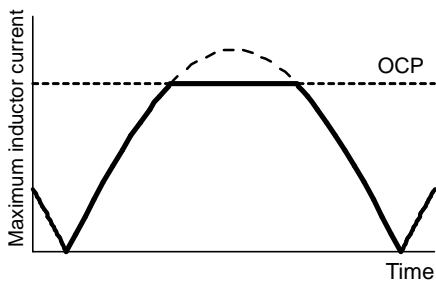


Fig.21 Maximum inductor current at high input voltage

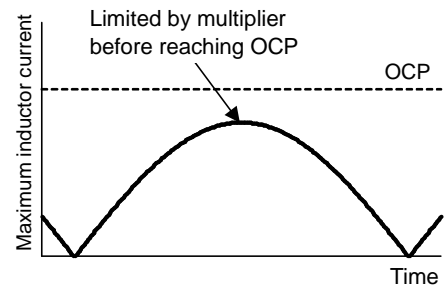


Fig.22 Maximum inductor current at low input voltage

Note that the limitation of maximum inductor current is different as shown in Fig. 23 according to whether by OCP or by multiplier.

- By OCP: Current peaks including switching ripples are subjected to limitation.
- By multiplier: Current excluding switching ripples is subjected to limitation.

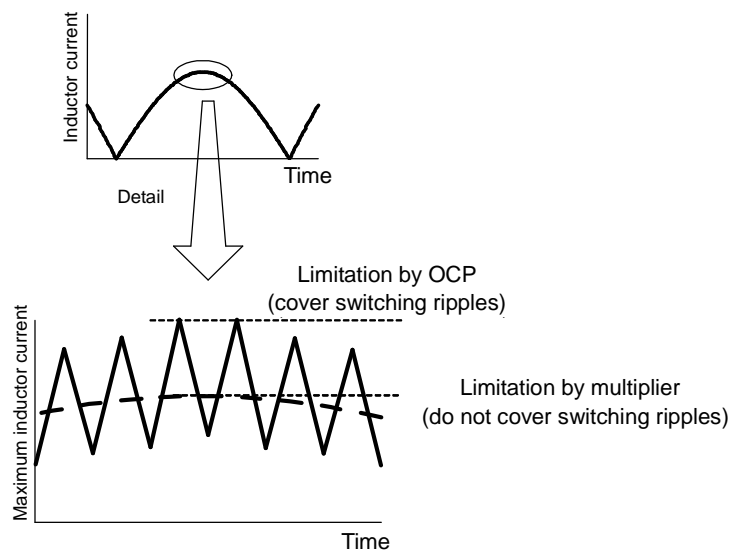


Fig.23 Maximum current limitation

Design current detecting resistance R_s so as to meet a maximum power in the input voltage range, and also to clear 2 power limiting conditions below (Fig. 24).

(1) Power limitation by multiplier

Design current detecting resistance R_s so that VIS voltage (mean) will be -0.33 V or greater that is maximum of item "IS pin voltage (Vis_054)".
In case of settling as output power P_o (W), efficiency η , and minimum input voltage V_{acmin} (V), maximum inductor current I_{inmax} (A) is given by following equation.

$$I_{inmax} = \sqrt{2} \cdot \frac{P_o}{\eta \times V_{acmin}}$$

VIS voltage (mean) will be -0.33 V or higher when:

$$-R_s \times I_{inmax} > -0.33V$$

$$-R_s \times \sqrt{2} \cdot \frac{P_o}{\eta \times V_{acmin}} > -0.33V$$

Therefore, design current detecting resistance R_s (Ω) so as to meet:

$$R_s < \frac{0.33 \times \eta \times V_{acmin}}{\sqrt{2} \times P_o} (\Omega) \dots (1)$$

(2) Power limitation by OCP

Design current detecting resistance R_s so that VIS voltage (peak) will be -0.475 V or greater that is maximum of IS threshold voltage (V_{ocpl}).

In case of settling as ripple current I_{ripple} (A), switching frequency f_{sw} , output voltage V_{out} , boost inductance L , and ON duty D , ON duty D is given by following equation.

$$D = \frac{V_{out} - \sqrt{2} V_{acmin}}{V_{out}}$$

VIS voltage (peak) will be -0.475 V or higher when:

$$-R_s \times (I_{inmax} + \frac{I_{ripple}}{2}) > -0.475V$$

$$-R_s \times (\frac{\sqrt{2} \times P_o}{\eta \times V_{acmin}} + \frac{\sqrt{2} \times V_{acmin} \times D}{2 \times f_{sw} \times L}) > -0.475V$$

Therefore, design current detecting resistance R_s (Ω) so as to meet:

$$R_s < \frac{0.475}{\frac{\sqrt{2} \times P_o}{\eta \times V_{acmin}} + \frac{V_{acmin} \times D}{\sqrt{2} \times f_{sw} \times L}} (\Omega) \dots (2)$$

In order to output maximum power at a minimum input voltage, therefore, select R_s determined by expression (1) or (2), whichever smaller.

Caution:

To define a current limitation by multiplier, select the voltage at VDET pin so as to be 0.54 V or higher even at a minimum input voltage.

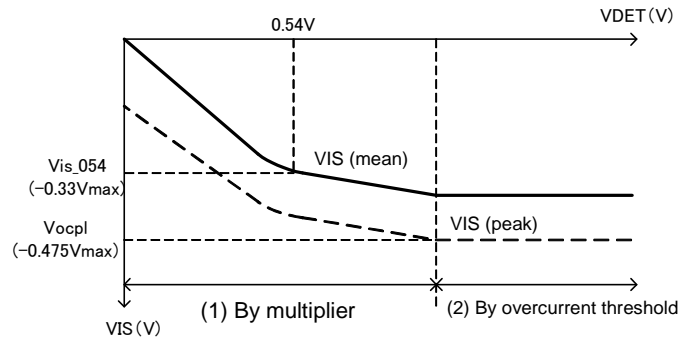


Fig.24 Maximum power limitation

(5) Terminal No. 5 (ICMP pin)

Function

(i) Phase compensation for output of incorporated current error amplifier (CUR_AMP)

Application

(i) Phase compensation for output of incorporated CUR_AMP

• Wiring

Connect R and C between ICMP and GND as shown in Fig. 25.

• Operation

R and C are connected to ICMP pin to block ripple components of switching frequency that could otherwise appear on IS pin input.

(Reference)

Example of applied circuit: C8 = 100 pF

C9 = 680 pF

R8 = 47 kΩ

The above is an example. Determine them upon sufficiently verifying your instrument.

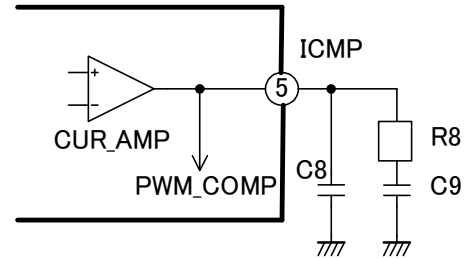


Fig.25 ICMP pin circuit

(6) Terminal No. 6 (GND pin)

Function

Constitutes the reference of each part of IC.

(7) Terminal No. 7 (OUT pin)

Functions

(i) Drives MOSFET

(ii) Sets oscillation frequency

Applications

(i) Drive of MOSFET

• Wiring

Connected via resistance Ro to gate terminal of MOSFET

• Operation

Goes high when MOSFET is turned on. Nearly VCC voltage is outputted.

Goes low when MOSFET is turned off. Voltage of nearly 0 V is outputted.

• Supplement

Connect a gate resistance for current limitation at OUT pin, prevention of oscillation of gate terminal voltage, etc.

Rated output currents of IC: Source ... 1.5 A, sink ... 1.5 A.

Connection in Fig. 27 or 28 allows to distinctly set the gate drive currents for turning on and off MOSFET.

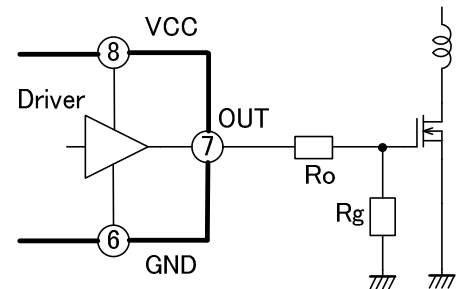


Fig.26 OUT pin circuit (1)

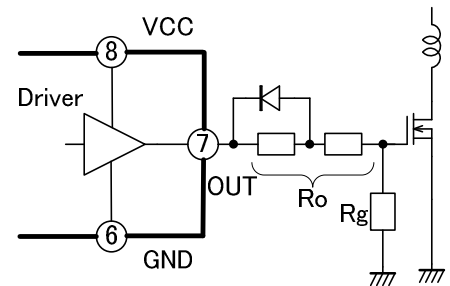


Fig.27 OUT pin circuit (2)

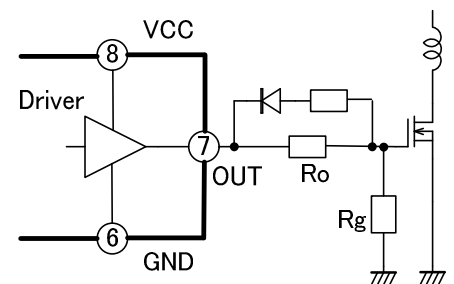


Fig.28 OUT pin circuit (3)

(ii) Setting of oscillation frequency

• Wiring

(1) Ordinary connection

Connect resistance Rg between MOSFET gate and GND if no buffer is connected on IC output as shown in Fig. 26, 27 and 28. According to resistance Rg, switching frequency can be selected out of 3 different modes given in table below.

| | | Resistance Rg | Accuracy | Temperature characteristics |
|-------|---------------------|---------------|----------|-----------------------------|
| Mode1 | Frequency diffusion | 4.7kΩ | ±5%max | 200ppm/°Cmax |
| Mode2 | 65kHz fixed | 12kΩ | ±2%max | 200ppm/°Cmax |
| | | 13kΩ | ±5%max | 200ppm/°Cmax |
| Mode3 | 60kHz fixed | 27kΩ | ±5%max | 200ppm/°Cmax |

* Ro: 100 Ω max.

Caution:

• Resistance Ro between OUT pin and FET gate must be 100 Ω or less

• If mode 3 is selected (27 kΩ used), starting up the frequency setting raises the OUT-GND voltage up to 1.4V

(2) If buffer is connected on IC output

If buffer is connected on IC output, select a configuration shown in Fig. 29, and select the frequency setting resistance as given in table below.

| | | Resistance Rg | Accuracy | Temperature characteristics |
|-------|-------------|---------------|----------|-----------------------------|
| Mode1 | Jittering | 4.7kΩ | ±5%max | 200ppm/°Cmax |
| Mode2 | 65kHz fixed | 13kΩ | ±5%max | 200ppm/°Cmax |
| Mode3 | 60kHz fixed | 30kΩ | ±5%max | 200ppm/°Cmax |

* Ro: 100 Ω max.

If combined resistance connected on buffer output is Rx, set Rx to 3 kΩ or higher taking into account dispersion and temperature characteristics.

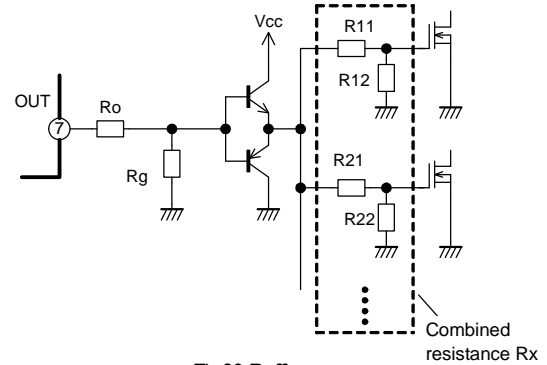


Fig.29 Buffer

Example:

Select R11 = 10 Ω, and R12 = 10 kΩ. Suppose their resistance may change by 10% maximum on account of their dispersion and temperature characteristics. If 3 of them each are connected in parallel,

$$R_x = 10.01 \text{ k}\Omega \times 90\% \div 3 = 3.003 \text{ k}\Omega$$

holds, thereby clearing the requisite.

Caution:

- Resistance Ro between OUT pin and buffer must be 100 Ω or less
- If mode 3 is selected (30 kΩ used), starting up the frequency setting raises the OUT-GND voltage up to 1.2 V
- Above conditions presuppose h_{FE} of transistor used in buffer is 50 minimum, and that Vbe is 0.3 V maximum taking the temperature characteristics into account. Unless characteristics of a particular transistor to use clear the requisites, set the frequency resorting to a method in "(3) Other circuit configuration."

(3) Other circuit configuration

Unless the circuit configuration connected to OUT pin clears the specifications in (1) nor (2), determine the frequency based on the current and voltage defined by specified frequency setting.

(See p. 15 Fig. 5 Frequency setting circuit)

Be sure to take into account the IC characteristics, and dispersion and temperature characteristics of parts connected to OUT pin.

General precaution about frequency setting:

In setting the frequency, make sure, in addition to respecting our recommendations in (1) and (2) above, there is no problem of influences by dispersion and temperature characteristics of your resistors, wiring, noise (influence of auxiliary power supply that operates before PFC starts, in particular) and other matters than resistance itself based on the current and voltage regarding the specified frequency setting.

In setting of the frequency, please confirm whether there is no bad influence of following items including our setting recommendation and our setting specification.

- Dispersion of or the temperature characteristic of resistance used, a design of wiring, noise (especially from sub power supply before the PFC start operation), etc.

(8) Terminal No. 8 (VCC pin)

Function

(i) Supplies IC with power

Application

(i) Supplies IC with power

▪ Wiring

Connect a startup resistance between rectified voltage line and VCC pin.

Generally, connect a rectified and smoothed voltage from auxiliary winding provided on transformer.

Or connect an external DC source.

▪ Operation

At the time of startup in case VCC voltage is obtained from auxiliary winding, the current via the startup resistance charges the smoothing capacitance and, when the level rises up to UVLO ON threshold voltage, IC starts up. Immediately before startup, a current of at least 110 uA (max.) that is a startup current for IC must be fed. During a steady operation, VCC is supplied from inductor's auxiliary winding (Fig. 30).

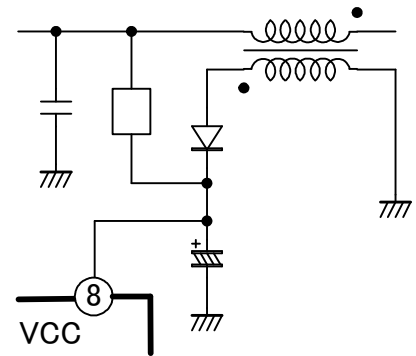


Fig.30 VCC pin circuit (1)

As the source voltage rises from zero, the operation starts at 9.6 V (typ.) for FA5612, or at 13 V (typ.) for FA5613.

Any of started-up ICs stops operating when the source voltage drops down to 9 V (typ.)

While IC stops operation by under voltage lockout circuit, OUT pin keeps low level and shuts the output of power supply off.

Supplement:

Under voltage lockout function avoids an erratic operation of circuit when source voltage has dropped.

Noise applied to VCC pin will cause an erratic operation. To avoid the noise, connect a capacitance near VCC pin whether IC is operated by another source or not. Determine the capacitance so that the noise generated on VCC pin will be within ± 0.6 V, and make doubly sure no erratic operation occurs by noise (Fig. 31).

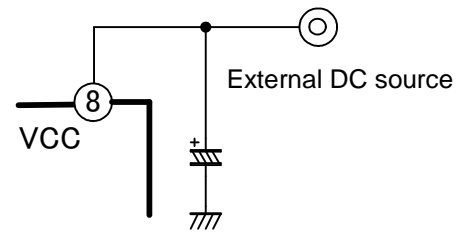


Fig.31 VCC pin circuit (2)

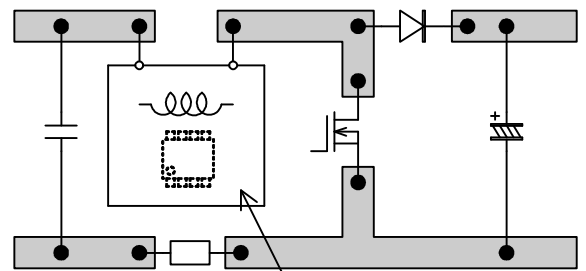
12. Advice for design

(1) Advice in pattern designing

Main circuit MOSFET, inductor, diodes, etc. perform switching under high voltage and large current. If wiring of IC or signals inputted to IC gets too near such main circuit parts, they may operate erratically upon being affected by noise generated there.

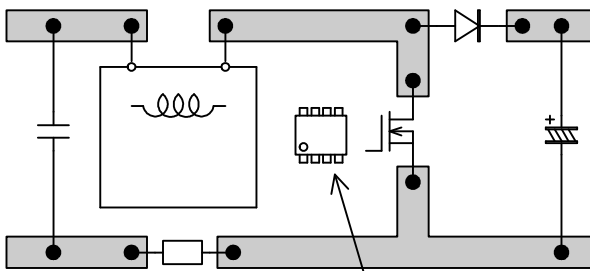
Attention must be paid particularly in following cases (examples of faulty cases).

- IC is arranged under inductor or other main circuit parts, or immediately behind main circuit parts on double sided circuit board (Fig. 32)
- IC is arranged close to inductor, MOSFET or diode (Fig. 33)
- Signal wiring is placed under inductor or near MOSFET or diode (Fig. 34)



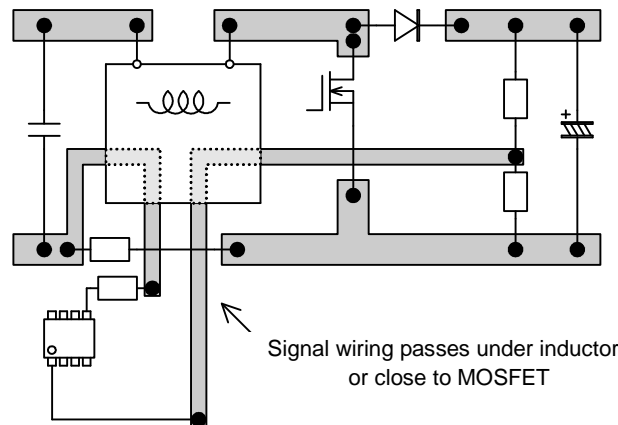
IC is arranged under inductor (or on immediately opposite side on circuit board)

Fig.32 Example of inadvisable arrangement (1)



IC is arranged close to inductor or MOSFET

Fig.33 Example of inadvisable arrangement (2)



Signal wiring passes under inductor or close to MOSFET

Fig.34 Example of inadvisable pattern

(2) Typical GND wiring in IC area

To minimize influences on IC of noises from main circuit, separate GND of IC and signal lines for parts of IC area, and GND of PFC main circuit away from each other, and connect them via one point near current detecting resistance R_s and output capacitance.

IS signal whose voltage level is low is liable to noise. Minimize lengths of IS pin- R_s and R_s -GND wiring.

Arrange VCC-GND capacitance close to IC. Otherwise, the effect will be poor.

Arrange the capacitance between IC area input terminal and GND close to IC. It also has a function of noise elimination and, if away from IC, it will be affected by noise.

Caution:

Wiring is exemplified for you to understand how to connect the GND line.

Noise and incidental erratic operations differ from one instrument to another. Adopting any wiring exemplified in Fig. 35 will not necessarily guarantee normal operations of your instruments.

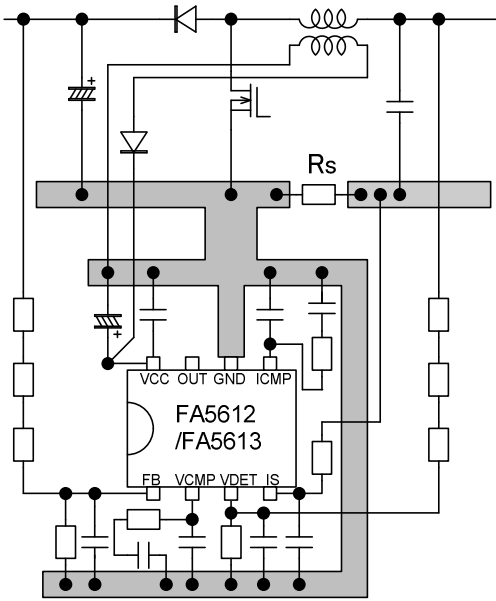


Fig.35 Example of advisable GND wiring

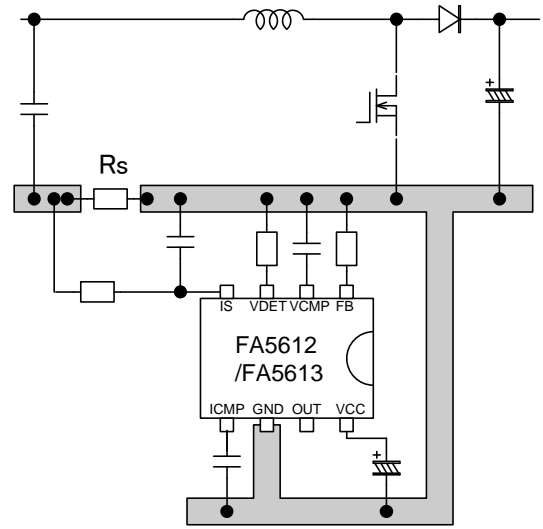


Fig.36 Example of inadvisable GND wiring
(GND is common to signal line parts and main circuit)

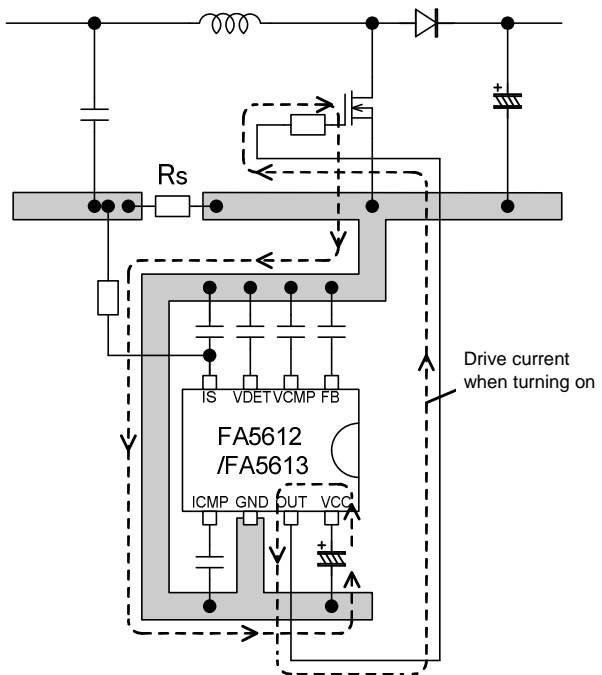


Fig.37 Example of inadvisable GND wiring
(Liable to noise when turning on if GND is common to VCC capacitance and signal line)

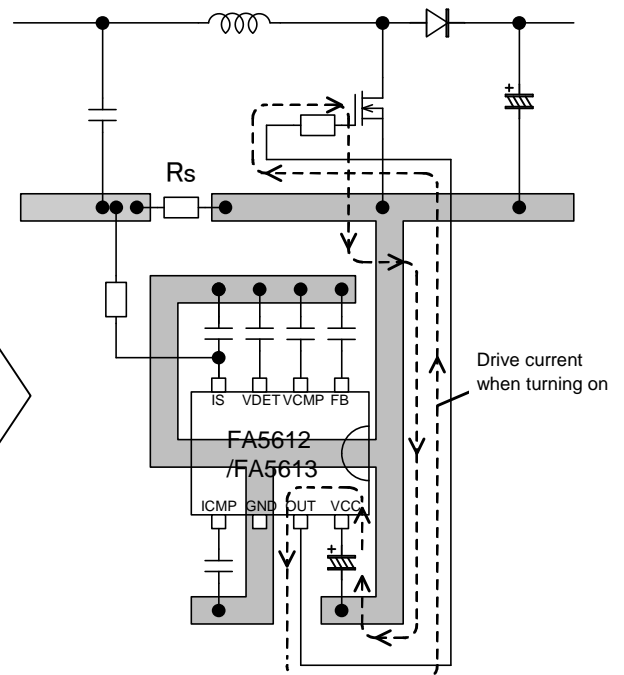
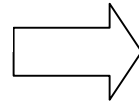


Fig.38 Example of GND wiring
(GND of VCC capacitance is distinct from signal line GND)

(3) Precautions in use regarding terminal noise

If noise is applied to any IC pin, an erratic operation may be caused. Proceed to design upon respecting the precautions below.

| Condition | Pin | Malfunction in fear | Input regulations | Cautions in design |
|---|---|---|--|--|
| Input noise (within absolute maximum ratings) | FB | switching may stop when noise is over over voltage protection level | input signal is only for feedback voltage of output voltage | connect condenser near terminal pin |
| | | IC may become stanbay mode when noise is under short detection level | | |
| | | offset occurs in output voltage and output voltage rises or falls | | |
| | VCMP | output of multiplier output becomes unstable, and input current waveform may disturbed | cancel noise | confirm sufficiently phase compensation constant |
| | | switching may become when noise is over threshold voltage | | |
| | | switching may stop when noise is under threshold voltage | | |
| | VDET | output of multiplier output becomes unstable, and input current waveform may be disturbed | cancel noise | connect condensor near pin |
| | IS | current may be detected incorrectly | cancel noise | connect condensor near pin |
| | | It may tum off when noise is over overcurrent protection level | | |
| | ICMP | because a duty changes, input current waveform may be disturbed | cancel noise | confirm sufficiently phase compensation constant |
| GND | reference voltage changes, IC may not behave normally | cancel noise | ground wiring should be a wide wiring | |
| OUT | the output may fall not to be able to drive Mos normally when signals more than the ability of the driver are input | cancel noise | - | |
| VCC | IC may stop when noise under UVLO is input | don't input noise under UVLO when moving | connect condensor near pin | |
| Input minus voltage (less than absolute maximum voltage) | FB | a parasitism element works, and the malfunction such as IC stop may occur | don't input minus voltage less than maximum absolute voltage | - |
| | VCMP | | | |
| | VDET | | | |
| | ICMP | | | |
| | VCC | | | |
| | IS | IC may be destroyed | | |
| | OUT | IC may be destroyed | | |
| VCC | a parasitism element works, and the malfunction such as IC stop may occur | | | |
| Input plus voltage (more than absolute maximum voltage) | FB | IC may be destroyed | don't input minus voltage more than maximum absolute voltage | - |
| | VCMP | | | |
| | VDET | | | |
| | ICMP | | | |
| | IS | gnd level may be changed | | |
| | OUT | IC may be destroyed | | |
| | VCC | | | |

13. Example of application circuit (390V / 1.5A output)

