

SI-8000TM Series

September 2005

■General Descriptions

SI-8000TM series has 300kHz oscillation frequency, so it contributes miniaturization of a chalk coil. Therefore, it realizes a compact and high efficient power supply together with TO 252-5 package (compatible:SC-63).

SI-8000TM series has the function required for switching regulators and protection circuits such as over-current, and overheating.

With only four discrete components, it realizes a high efficient switching regulator without adjustment.

1.5A output current by compact power surface mount package.

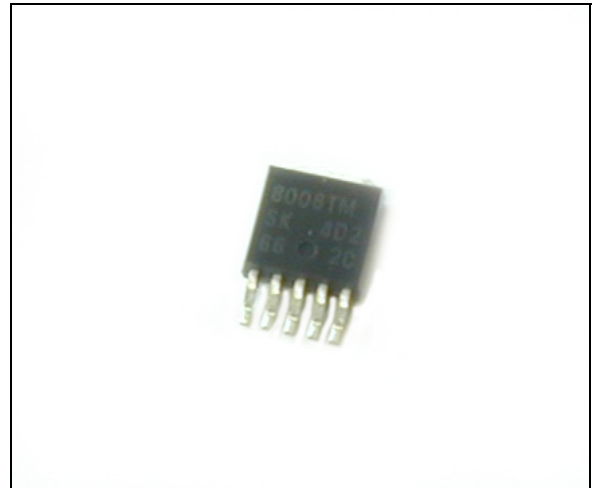
■Applications

- DVD Recorder, FPD TV
- OA equipment, such as a printer
- On-board local power supply

■Features

- 1.5A output current by compact power surface mount package.
- High Efficiency 81% (at VIN=15V, Io=0.5A, Vo=5V)
- Requires only four discrete components. (C3: required for soft start.)
- Built-in Oscillation circuit (oscillation frequency : 300kHz (TYP))
- Constant current type overcurrent protection and overheating protection.
- Soft start function. (ON/OFF function available. Output OFF at Low level.)
- Low consumption current at Output OFF.

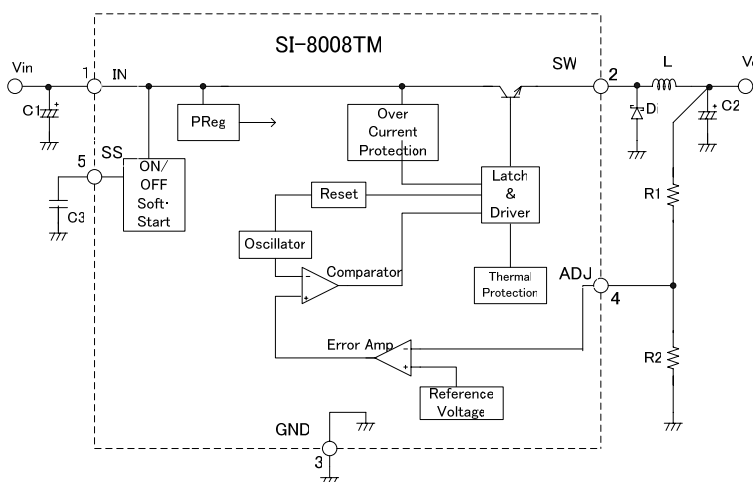
■Package---TO252-5



■Key Specifications

	SI-8008T M (ADJ Type)	SI-8033T M	SI-8050T M	SI-8120T M
Input Voltage	43V			
Output Current	0 to 1.5A			
Output Voltage	0.8V (REF Voltage)	3.3V	5.0V	12.0V
Efficiency (TYP)	81% (5V Set-up)	76%	81%	87%

Typical Connection



C1 : 220 μ F

C2 : 470 μ F

C3 : 1 μ F

(At the time of soft start functional use)

L1 : 47 μ H

Di : SFPB66(Sanken)

SI-8000TM Series

September 2005

1. Scope

The present specifications shall apply to a DC-DC buck converter SI-8008TM.

2. Outline

Classification	Semiconductor IC (monolithic IC)
Structure	Plastic package (transfer mold)
Applications	<ul style="list-style-type: none"> • DC voltage regulator • Power supplies for telecommunication equipment , office equipment etc ,ON-board local regulator • Output voltage regulator at secondary stage of switch mode power supply

3. Absolute maximum ratings

3-1 Absolute maximum ratings

Characteristic	Symbol	Ratings	Units	Remarks
DC input voltage	VIN	43	V	
Power dissipation 1	Pd1	1.06	W	Glass - epoxy board mounting in 900square mm, copper area 4.3% Tjmax=125°C
Power dissipation 2	Pd2	1.65	W	Glass - epoxy board mounting in 900square mm, copper area 50% Tjmax=125°C
Junction temperature	Tj	-40~150	°C	Thermal protection circuit is built-in in this product and when junction temperature rises to 130°C or higher, it may be caused to operate Recommended max. junction temperature at operation is 125°C.
Storage temperature	Tstg	-40~150	°C	
Thermal resistance (junction-case)	θ_{j-c}	6	°C/W	
Thermal resistance (junction-ambient air)	θ_{j-a}	95	°C/W	Glass - epoxy board mounting in 900square mm, copper area 4.3%

SI-8000TM Series

September 2005

3-2 Recommended operating conditions

Characteristic	Symbol	Ratings		Units	Remarks
		MIN	MAX		
DC input voltage range	V _{IN}	*1 V _o +3	40	V	I _o =0~1.5A
DC output voltage range	V _o	0.8~24		V	
DC output current range	I _o	0~1.5		A	*2 V _{IN} ≥V _o +3V
Operating junction temperature range	T _{jop}	-40~125		°C	
Operating temperature range	T _{op}	-40~125		°C	*2

*1 The minimum value of DC input voltage range is 8V when output is less than 5V, V_o+3, when the output is more than 5V. In the case of V_{IN}=V_o+2~V_o+3V, it is set to I_o=1A MAX.

*2 To be used within the allowable package power dissipation characteristics (refer to P6).

4. Electrical characteristics

4-1 Electrical characteristics (T_a=25°C, V_o=5V adjusted R₁=4.2kΩ, R₂=0.8kΩ)

Characteristic	Symbol	Limits			Units	Test conditions
		MIN	TYP	MAX		
Reference voltage	V _{ADJ}	0.784	0.800	0.816	V	V _{IN} =15V, I _o =0.1A
Reference voltage temperature coefficient	ΔV _{REF} /ΔT		±0.1		mV/°C	V _{IN} =15V, I _o =0.1A, T _c =0~100°C
Efficiency *3	η		81		%	V _{IN} =15V, I _o =0.5A
Operating frequency	f _o		300		kHz	V _{IN} =15V, I _o =0.5A
Line regulation	V _{Line}		60	80	mV	V _{IN} =10~30V, I _o =0.5A
Load regulation	V _{Load}		10	40	mV	V _{IN} =15V, I _o =0.2~1.5A
Over current protection starting current	I _s	1.6			A	V _{IN} =15V
ON/OFF terminal *4	Low level voltage	V _{SSL}		0.5	V	
	Flow-out current at low level voltage	I _{SSL}		10	40	μA
Quiescent current 1	I _q		6		mA	V _{IN} =15V, I _o =0A
Quiescent current 2	I _{q(off)}		200	400	μA	V _{IN} =15V, V _{SS} =0V

SI-8000TM Series

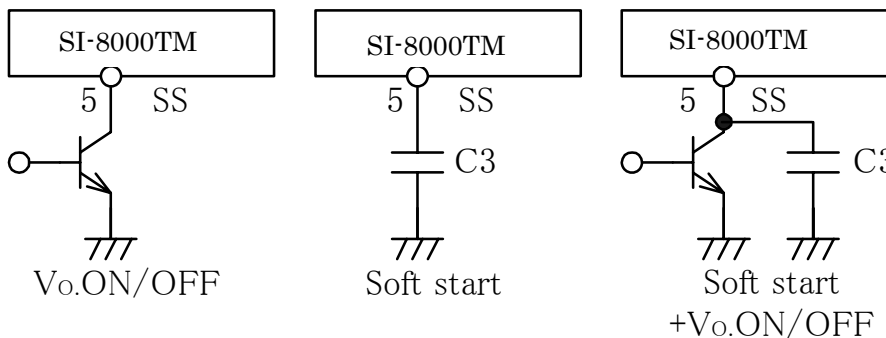
September 2005

*3 Efficiency is calculated by the following equation.

$$\eta (\%) = \frac{V_o \cdot I_o}{V_{IN} \cdot I_{IN}} \times 100$$

*4 No.5 terminal is a SS terminal to enable soft start by connecting a capacitor. The output can be turned on and off by using a SS terminal. The output is stopped by decreasing the SS terminal voltage below V_{SSL} and in order to perform ON/OFF operation of V_{out} , it is required to connect NPN transistor or the output of open collector type TTL between No.5 terminal and GND.

In case that both soft and V_{out} ON/OFF are used, a protection measure such as limitation of current is required, as the discharge current of C3 flows across a transistor for ON/OFF operation, if the capacitance of C3 large. As a pull-up type resistor is provided inside the IC, no external voltage can be applied. In case of no use of ON/OFF, please keep it open.

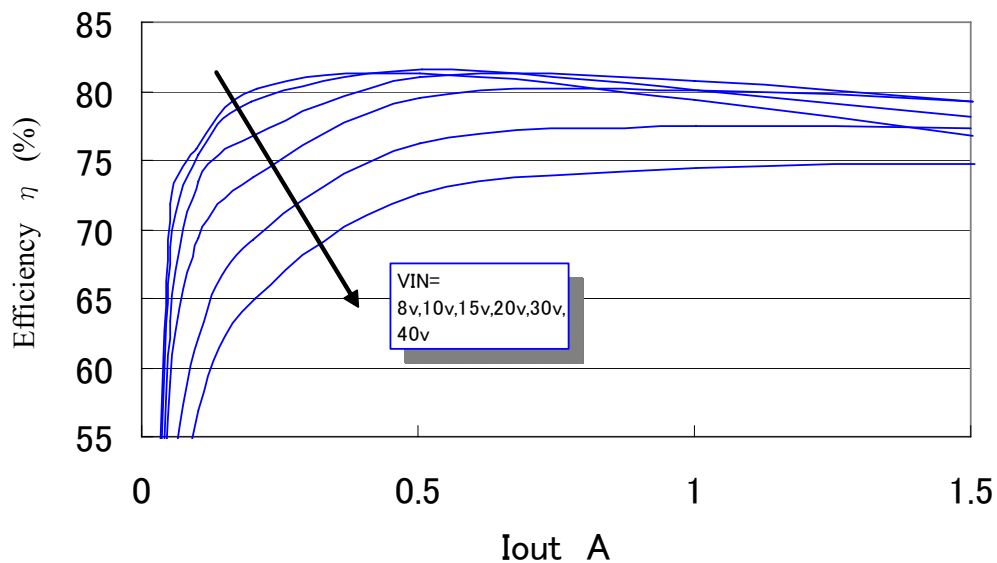


4-2 Typical characteristics (Ta=25°C)

(1) Efficiency

SI-8008TM Efficiency Curve

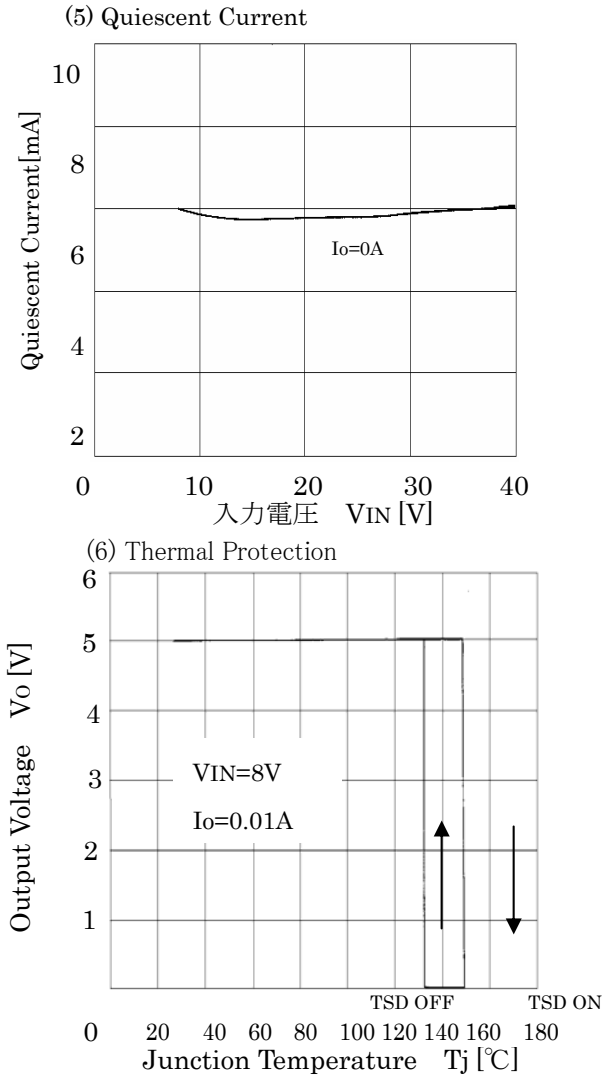
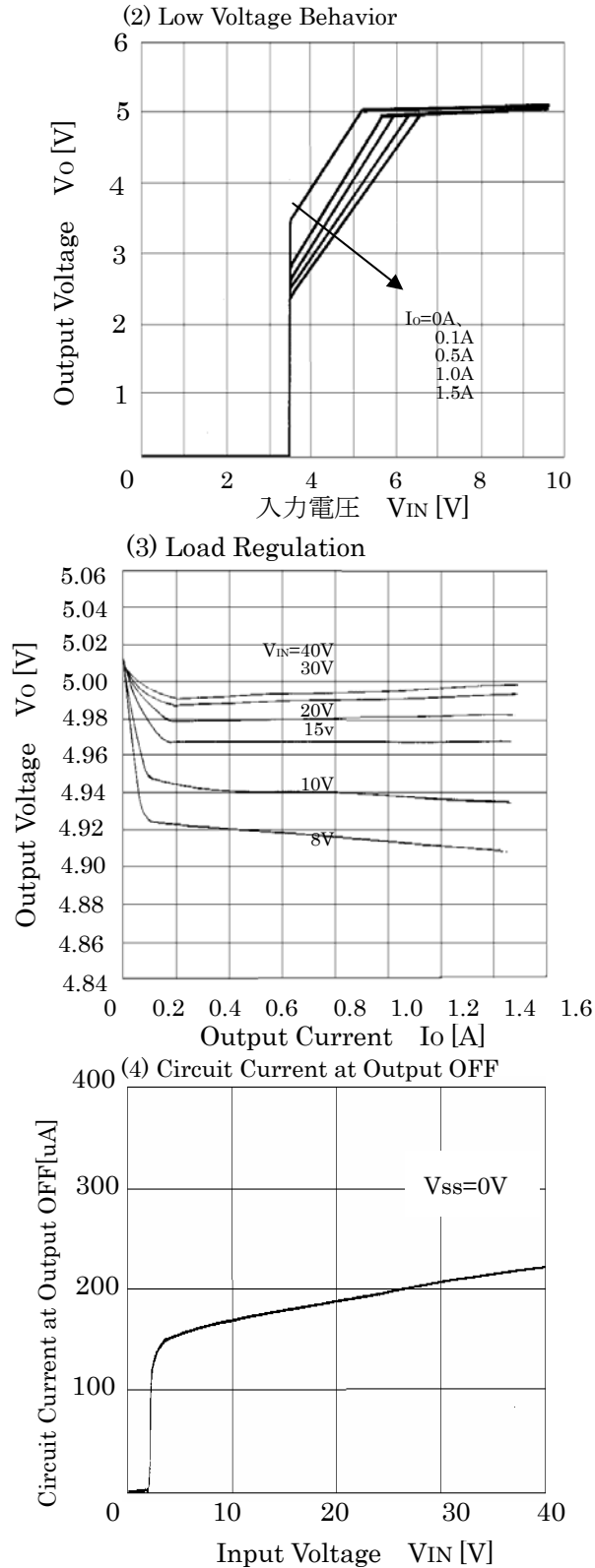
$V_o=5V$ Adjusted : $R_1=4.2k\Omega$, $R_2=0.8k\Omega$



DC/DC Step-Down Converter IC

SI-8000TM Series

□ Output Voltage: 5V Adjusted (R2=0.8k[Ohm])



DC/DC Step-Down Converter IC

SI-8000TM Series



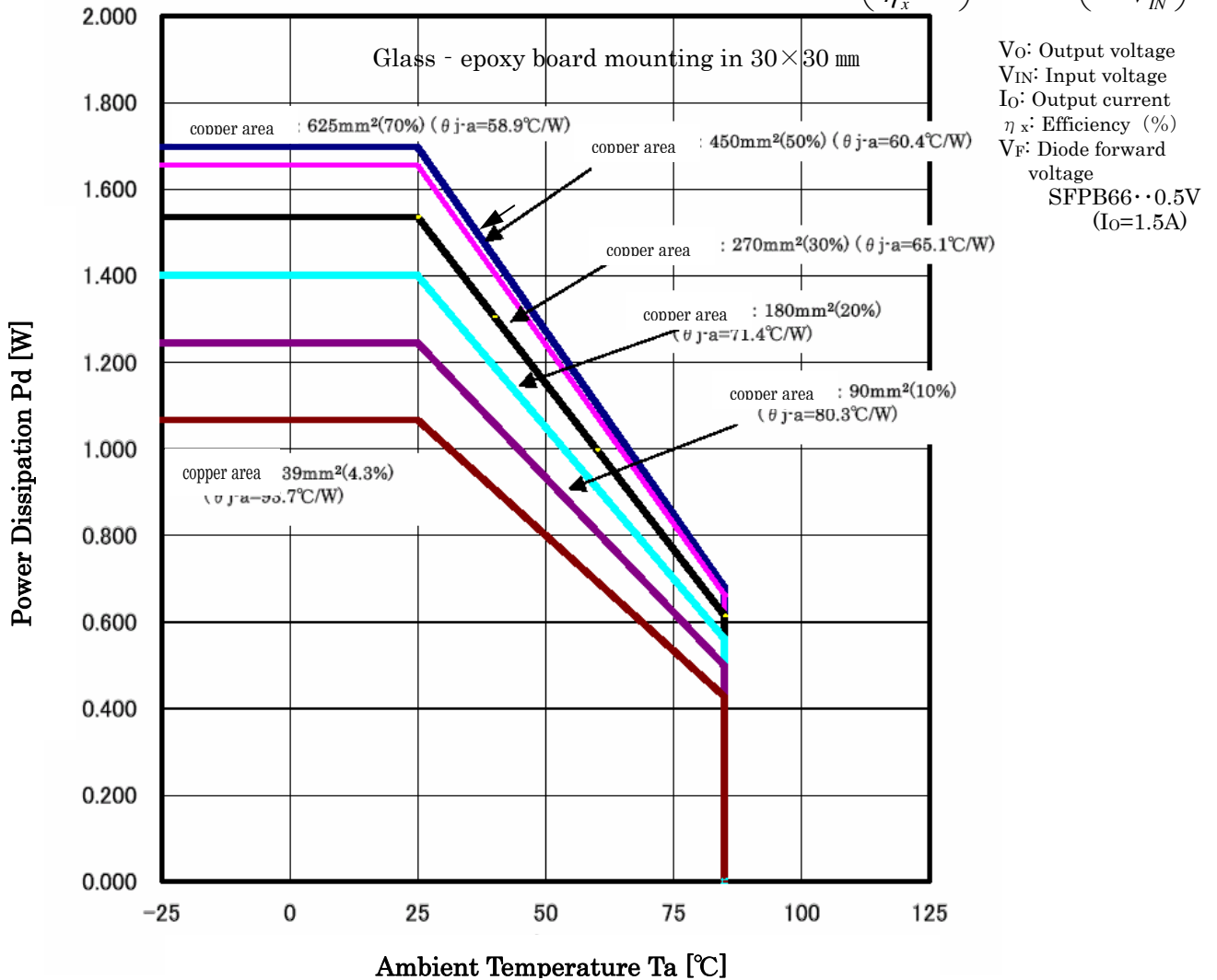
September 2005

4-2 Power Dissipation

SI-8000TM Series Power Dissipation

$T_{jmax}=125^{\circ}C$

$$P_D = V_O \cdot I_O \left(\frac{100}{\eta_x} - 1 \right) - V_F \cdot I_O \left(1 - \frac{V_O}{V_{IN}} \right)$$



Note1 : As the efficiency varies subject to the input voltage and output current, it shall be obtained from the efficiency curve in page 4 and substituted in percent.

Note2 : Thermal design for Di shall be made separately.

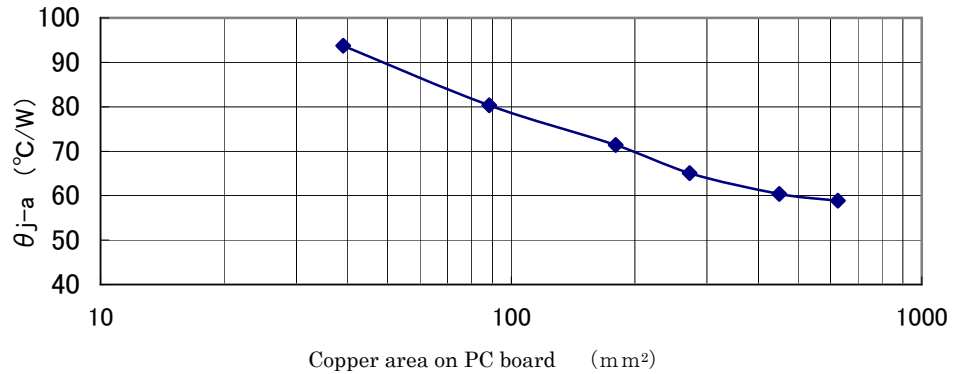
DC/DC Step-Down Converter IC

SI-8000™ Series

Reference data

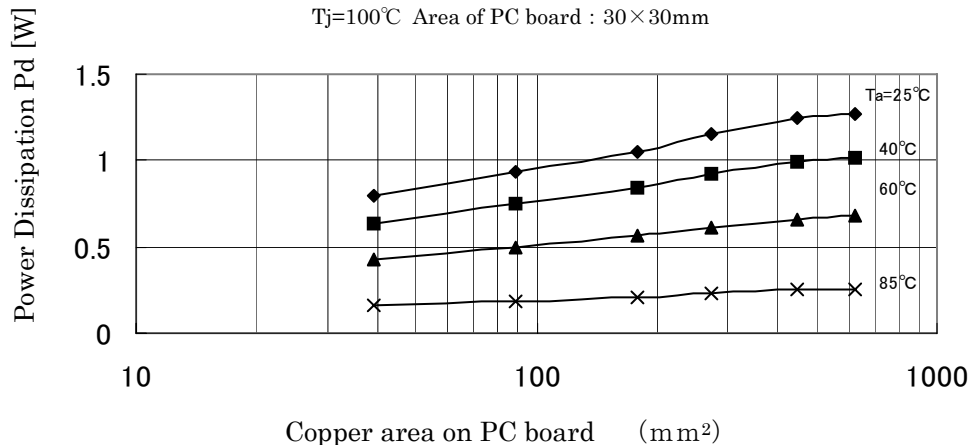
SI-8000™ Copper area on PC board vs. thermal resistance.

Area of PC board : 30×30mm



Copper area on PC board vs. Power dissipation

$T_j=100^\circ\text{C}$ Area of PC board : 30×30mm

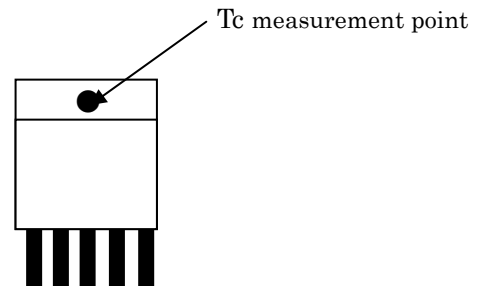


• Calculation of junction temperature

The junction temperature can be obtained from the following equation using the T_c that is measured by thermocouple.

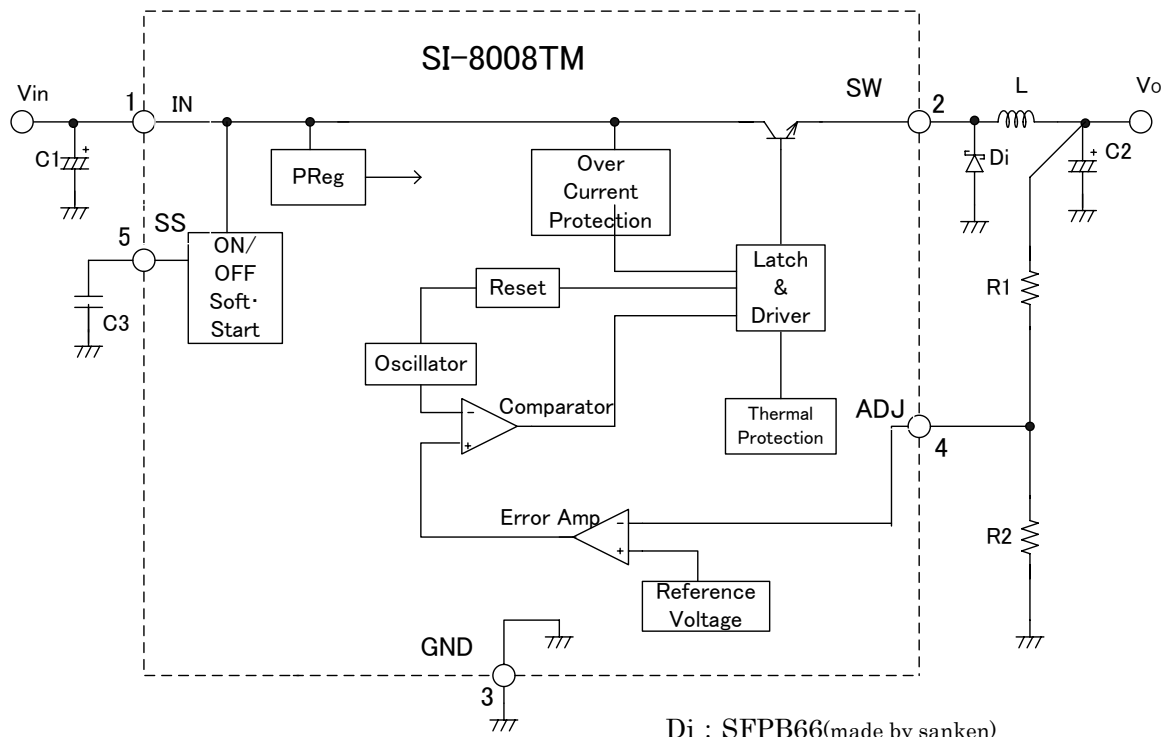
$$T_j = P_D \times \theta_{j-c} + T_c \quad (\theta_{j-c} = 6^\circ\text{C}/\text{W})$$

5. Block diagram (Connection diagram)



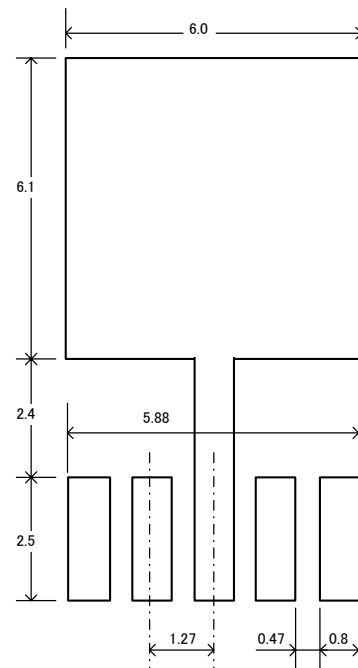
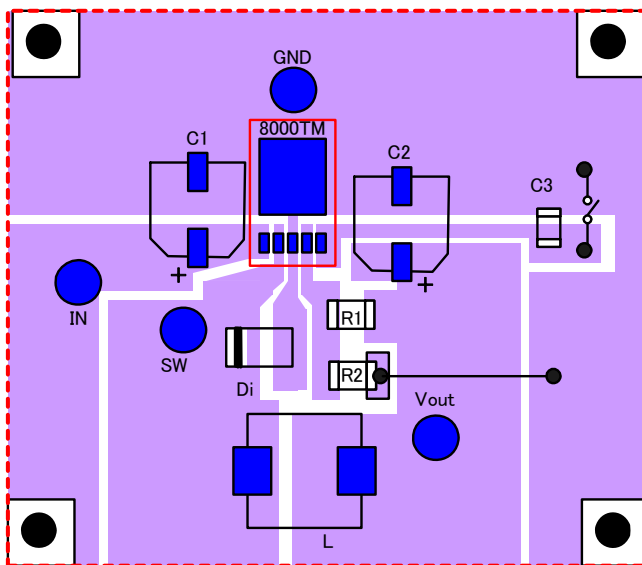
DC/DC Step-Down Converter IC

SI-8000TM Series



Recommended pattern

The example of the solder pattern.



*The circuit board layout is recommended as follows:

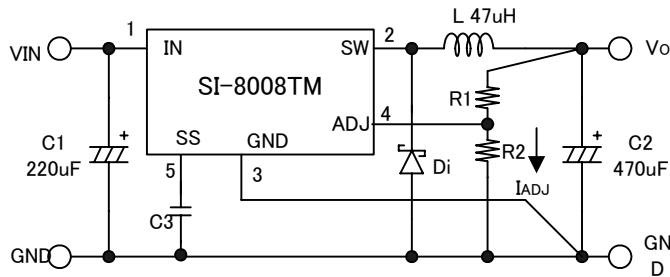
- ① Other components are connected as close as possible to the SI-8008TM.
- ② Each ground of all components is connected at one point area.

6. Example application circuit

SI-8000TM Series

September 2005

6-1 Standard circuit diagram



C1 : 220 μ F

C2 : 470 μ F

C3 : 1 μ F

(If soft start function is used)

L1 : 47 μ H

Di : SFPB66

(Made by Sanken)

Diode D i

• The shottky-barrier diode must be used for Di. If other diodes like fast recovery diodes are used, IC may be destroyed because of the reverse voltage applied by the recovery voltage or ON voltage.

Choke coil L 1

• If the winding resistance of the choke coil is too high, the efficiency may go down to the extent that it is out of the rating.
 • As the overcurrent protection start current is approx. 2.5A, attention must be paid to the heating of the choke coil by the magnetic saturation due to overload or short-circulated load.

Capacitor C 1, C 2, C 3

• As large ripple currents flow across C1 and C2, capacitors with high frequency and low impedance for SMPS must be used. Especially when the impedance of C2 is high, the switching waveform may not be normal at low temperature. Please use neither OS capacitor nor tantalum capacitor which causes an abnormal oscillation for the C2.
 • C3 is a capacitor for soft start. In case soft start function is not used, please keep No.5 terminal open. A pull-up resistor is provided inside the IC.

Resister R1, R2

• R1, R2 is resistor to the Output Voltage. I_{ADJ} set to become 1mA. Moreover, R1, R2 is calculated by the following expression.

$$R1 = \frac{(V_{OUT} - V_{ADJ})}{I_{ADJ}} = \frac{(V_{OUT} - 0.8)}{1 \times 10^{-3}} (\Omega), \quad R2 = \frac{V_{ADJ}}{I_{ADJ}} = \frac{0.8}{1 \times 10^{-3}} \doteq 0.8k(\Omega)$$

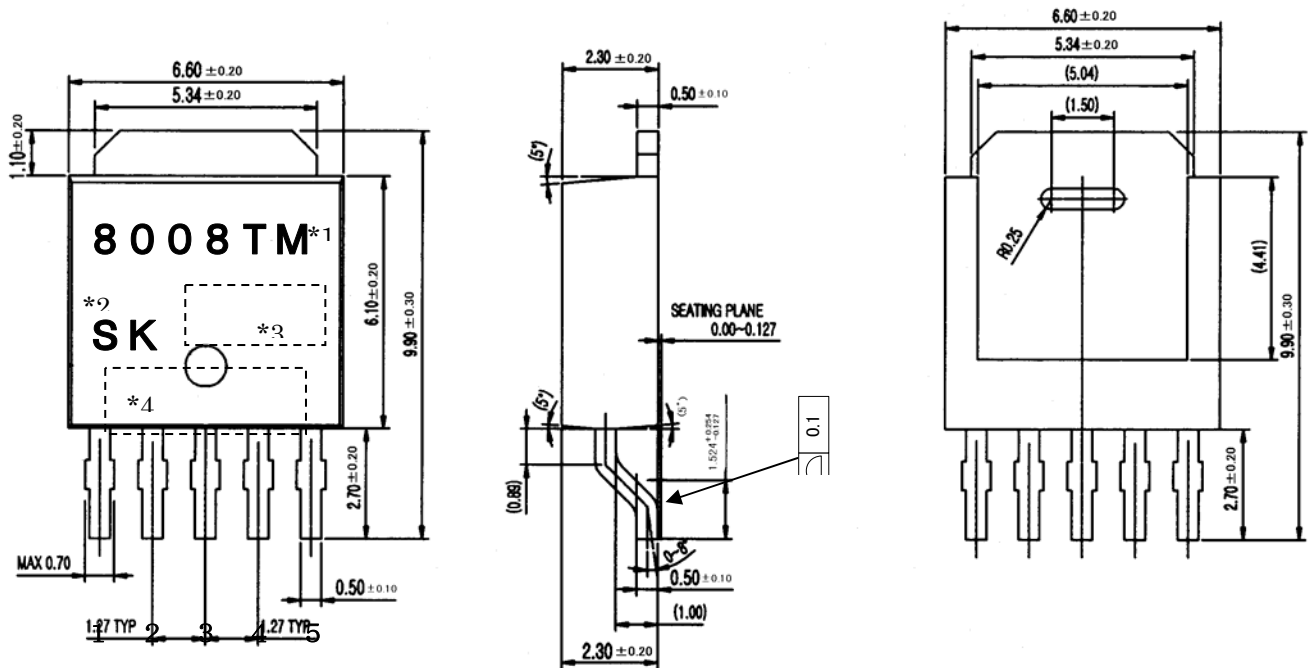
©In order to have optimum operating condition, each component must be laid out with the minimum distance.

SI-8000TM Series

September 2005

7 Package information

7-1 Package type and dimensions



Pin assignment

- 1 : IN
- 2 : SW
- 3 : GND
- 4 : ADJ
- 5 : SS

Products Weight : Approx.0.33g

*1 Type No

*2 Logo mark

*3 Lot Number

1st letter : The last digit of year

2nd letter : Month

1 to 9 for Jan. to Sept.

O for Oct. N for Nov. D for Dec.

3rd letter : week(Arabic Numerical)

*4 Administer number (four digit)

7-2 Appearance

The body shall be clean and shall not bear any stain, rust or flaw.

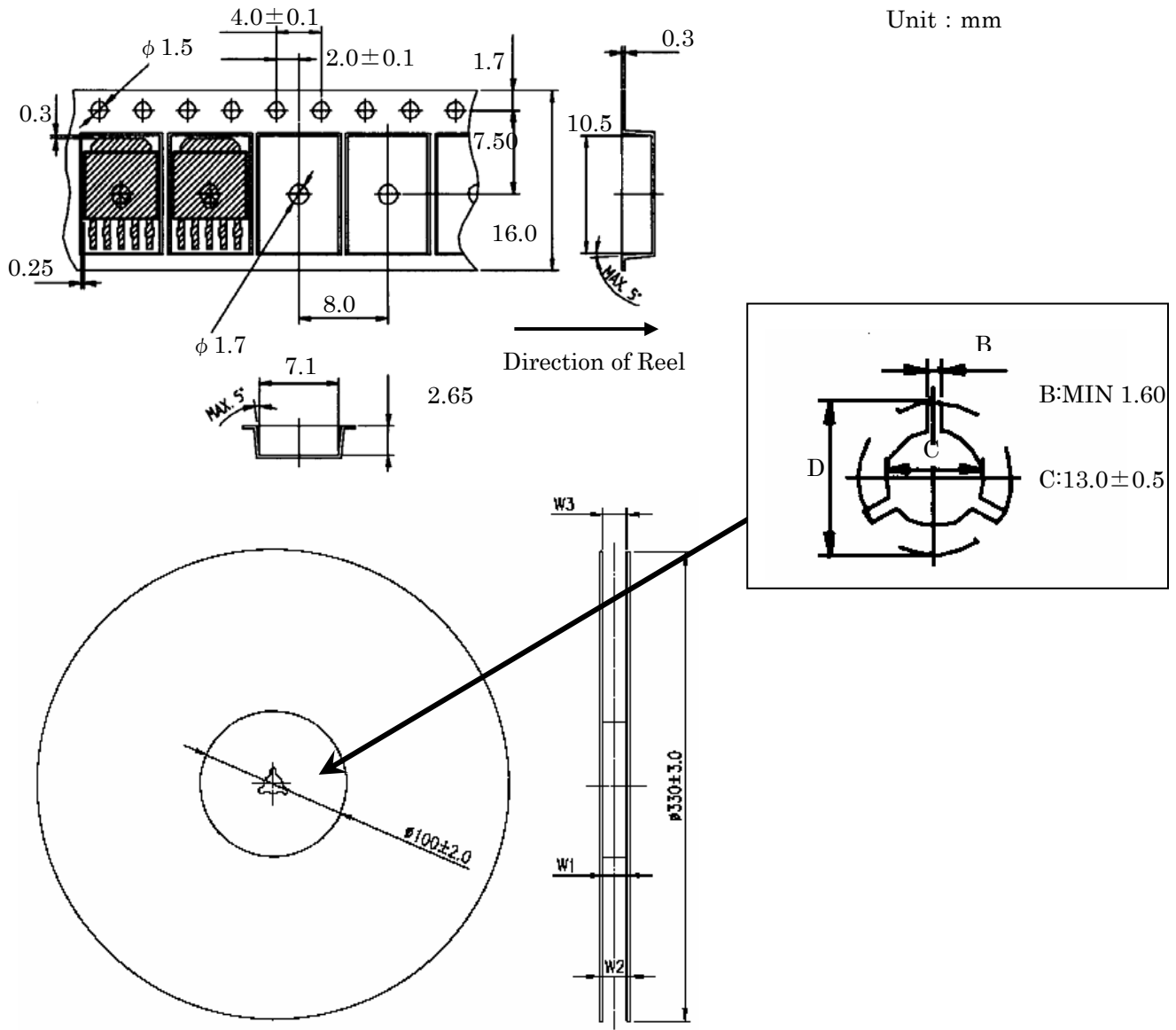
7-3 Marking

The type number and lot number shall be clearly stamped by laser on the body so that they cannot be erased easily.

SI-8000TM Series

September 2005

8. Packing specifications



+2	W2 MAX	+3
W1		W1
-0		-0.5
16.4 mm	22.4 mm	16.4 mm

Quantity : 3000pcs/reel

9. Cautions and warnings

9-1 Parallel operation

The parallel operation to increase the current is not available.

9-2 Thermal protection

The SI-8000TM series has a thermal protection circuit. This circuit keeps the IC from the fever by the over load. But this circuit cannot guarantee the long-term reliability against the continuously over load status.

<Worldwide Contacts>

Asia Pacific

China

Sanken Electric Hong Kong Co., Ltd.

Suite 1026 Ocean Centre, Canton Road, Tsimshatsui, Kowloon, Hong Kong

Tel: 852-2735-5262

Fax: 852-2735-5494

Sanken Electric (Shanghai) Co., Ltd.

Room3202, Maxdo Centre, Xingyi Road 8, Changning district, Shanghai, China

Tel: 86-21-5208-1177

Fax: 86-21-5208-1757

India

Saket Devices Pvt. Ltd.

Office No.25, 2nd Floor, Bandal - Dhankude Plaza, Near PMT Depot, Paud Road, Kothrud, Pune - 411 038, India

Tel: 91-20-5621-2340

Fax: 91-20-2528-5459

Japan

Sanken Electric Co., Ltd. Overseas Sales Headquarters

Metropolitan Plaza Bldg. 1-11-1 Nishi-Ikebukuro, Toshima-ku, Tokyo 171-0021, Japan

Tel: 81-3-3986-6164

Fax: 81-3-3986-8637

Korea

Sanken Electric Korea Co., Ltd.

Mirae Asset Life Bldg. 6F, 168 Kongduk-dong, Mapo-ku, Seoul, 121-705, Korea

Tel: 82-2-714-3700

Fax: 82-2-3272-2145

Singapore

Sanken Electric Singapore Pte. Ltd.

150 Beach Road, #14-03 The Gateway West, Singapore 189720

Tel: 65-6291-4755

Fax: 65-6297-1744

Taiwan

Taiwan Sanken Electric Co., Ltd.

Room 1801, 18th Floor, 88 Jung Shiau East Road, Sec. 2, Taipei 100, Taiwan R.O.C.

Tel: 886-2-2356-8161

Fax: 886-2-2356-8261

Europe

France

Allegro MicroSystems Europe

Les Pleiades, Park Nord Annecy, 74370 Metz-Tessy, France

Tel: 33-450512359

Fax: 33-450512083

United Kingdom

Allegro MicroSystems Europe Limited

Balfour House, Churchfield Road, Walton-on-Thames, Surrey KT12 2TD, U.K.

Tel: 44-1932-253355

Fax: 44-1932-246622

North America

United States

Allegro MicroSystems, Inc.

115 Northeast Cutoff, Worcester, Massachusetts 01606, U.S.A.

Tel: 1-508-853-5000

Fax: 1-508-853-3353

Allegro MicroSystems, Inc. (Southern California)

14 Hughes Street, Suite B105, Irvine, CA 92618

Tel: 1-949-460-2003

Fax: 1-949-460-7837

SI-8000TM Series

September 2005

CAUTION / WARNING

- The information in this publication has been carefully checked and is believed to be accurate; however, no responsibility is assumed for inaccuracies.
- Sanken reserves the right to make changes without further notice to any products herein in the interest of improvements in the performance, reliability, or manufacturability of its products.
Before placing an order, Sanken advises its customers to obtain the latest version of the relevant information to verify that the information being relied upon is current.
- Application and operation examples described in this catalog are quoted for the sole purpose of reference for the use of the products herein and Sanken can assume no responsibility for any infringement of industrial property rights, intellectual property rights or any other rights of Sanken or any third party which may result from its use.
- When using the products herein, the applicability and suitability of such products for the intended purpose or object shall be reviewed at the users' responsibility.
- Although Sanken undertakes to enhance the quality and reliability of its products, the occurrence of failure and defect of semiconductor products at a certain rate is inevitable. Users of Sanken products are requested to take, at their own risk, preventative measures including safety design of the equipment or systems against any possible injury, death, fires or damages to the society due to device failure or malfunction.
- Sanken products listed in this catalog are designed and intended for the use as components in general purpose electronic equipment or apparatus (home appliances, office equipment, telecommunication equipment, measuring equipment, etc.). Before placing an order, the user's written consent to the specifications is requested.
When considering the use of Sanken products in the applications where higher reliability is required (transportation equipment and its control systems, traffic signal control systems or equipment, fire/crime alarm systems, various safety devices, etc.), please contact your nearest Sanken sales representative to discuss and obtain written confirmation of your specifications. The use of Sanken products without the written consent of Sanken in the applications where extremely high reliability is required (aerospace equipment, nuclear power control systems, life support systems, etc.) is strictly prohibited.
- Anti radioactive ray design is not considered for the products listed herein.
- This publication shall not be reproduced in whole or in part without prior written approval from Sanken.

- This is notification that you, as purchaser of the products/technology, are not allowed to perform any of the following:
 1. Resell or retransfer these products/technology to any party intending to disturb international peace and security.
 2. Use these products/technology yourself for activities disturbing international peace and security.
 3. Allow any other party to use these products/technology for activities disturbing international peace and security.Also, as purchaser of these products/technology, you agree to follow the procedures for the export or transfer of these products/technology, under the Foreign Exchange and Foreign Trade Law, when you export or transfer the products/technology abroad.