

**AOYUE<sup>®</sup>**

Pronunciation: /aw u/

**8800**

**Portable Compact  
Desoldering Tool**

## **Instruction Manual**

Thank you for purchasing the Aoyue 8800 portable compact desoldering tool. Please read the manual before using the unit. Keep manual in accessible place for future reference.



This manual is designed to familiarize and instruct the technician with the proper operation and maintenance of the equipment. The "Care and Safety Precautions" section explains the hazards of using any type of soldering or reworking device. Please read carefully and observe the guidelines in order to maximize usage and minimize the risk of injury or accidents .

# **TABLE OF CONTENTS**

Product Description .....	4
Specifications .....	5
Package Inclusion .....	6
Safety Precautions .....	7-8
Control Panel Guide .....	9-12
Holder Assembly Guide .....	12
Operating Guidelines .....	13-15
Care and Maintenance .....	16-18
Basic Troubleshooting Guide .....	19

## PRODUCT DESCRIPTION

The Aoyue 8800 is a compact desoldering gun design which houses a powerful vacuum pump, PTC ceramic heater and variable temperature control circuit in a portable handheld unit.

- Portable desoldering tool for onsite servicing and repair.
- High suction power in a compact system.
- Clear filter pipe allows easy monitoring of waste solder level.
- Compact design which houses a dual barrel pump, PTC heater and electronic controls in a easy handheld package.
- Tip to handle distance of 56mm.
- Comes with a variety of tip sizes.
- Designed with a separate power block which houses the transformer and safety fuse.
- With properly grounded tip and handle for safety and static discharge.

## SPECIFICATION

<b>DESOLDERING GUN*</b>	
<b>Power Input :</b>	<b>available in 110V / 220V</b>
<b>Dimensions:</b>	<b>225(w) x 170h) x 73(d) mm</b>
<b>Weight:</b>	<b>0.7 Kg</b>
<b>Power Consumption:</b>	<b>100 W</b>
<b>Temperature Range:</b>	<b>200°C - 480°C / 392°F - 896°F</b>
<b>Heating Element:</b>	<b>PTC Ceramic Heater</b>
<b>Output Voltage:</b>	<b>110V / 220V</b>
<b>Motor Type:</b>	<b>AC motor</b>
<b>Pump Type:</b>	<b>Diaphragm vacuum pump</b>

\*Specifications are subject to change without prior notice.

## PACKAGE INCLUSION

1 unit 8800 Desoldering Gun with DT-1.8(1.8mm )

1 pc. 2668 Desoldering Gun Stand

1 pack Desoldering Gun Stand Parts  
(Sponge Tray, Sponge, Securing Screw)

1 pc. DT-1.5 Desoldering Tip (1.5mm)

1 pc. DT-1.0 Desoldering Tip (1.0 mm)\*

1 pc. 301252 Spare Spring Filter

1 pc. 20178 Cleaning Drill (Handle+Drill)

1 tube H022 Cleaning Gel

1 pc. 201242 Cleaning Pin

1 pc. 3024X Spare Spring Filter Cap

6 pc. Filter Pad (yellow round filters)

1 pc. Temperature Sticker Guide in Fahrenheit

1 pc. Power Cord

1pc. Instruction Manual

\*Note: May include DT-1.0 or DT-1.2 depending on availability.  
DT1.0 –1.0mm , DT1.2– 1.2mm

## SAFETY PRECAUTIONS

### SAFETY PRECAUTIONS



CAUTION: Improper usage can cause serious injury to personnel and/or damage to equipment. For your own safety, please observe the ff. precautions.

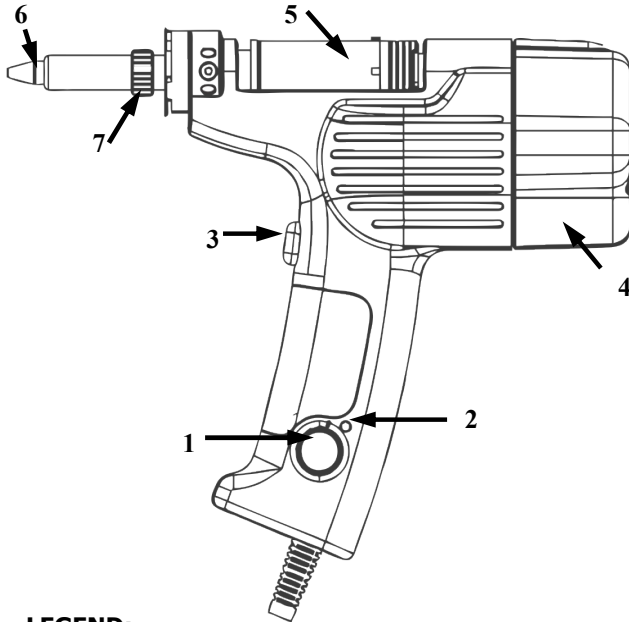
- Check each component after opening the package to make sure everything is in good condition. If there are any suspected damage, do not use the item and report the issue to your vendor.
- Turn OFF the main power switch and unplug the device from power source when moving the device.
- Do not strike or subject the main unit (and all its components) to physical shock. Use carefully to avoid damage to any part.
  - Never drop or sharply jolt the unit.
  - Contains delicate parts that may break if the unit is dropped.
- Make sure the equipment is always grounded. Always connect power to a grounded receptacle.
- Temperature may reach as high as 480°C when switched ON.
  - Do not use the device near flammable gases, paper and other flammable materials.



## CONTROL PANEL GUIDE

- Do not touch heated parts, which can cause severe burns.
- Do not touch metallic parts near the tip.
- Disconnect the plug from the power source if the unit will not be used for a long period.
  - Turn off power during breaks, if possible.
- Soldering process produces smoke, use on well ventilated places.
- Do not alter the unit, specifically the internal circuitry, in any manner. **HIGH VOLTAGE** present inside the unit. **DO NOT** attempt to service equipment.

## CONTROL PANEL GUIDE



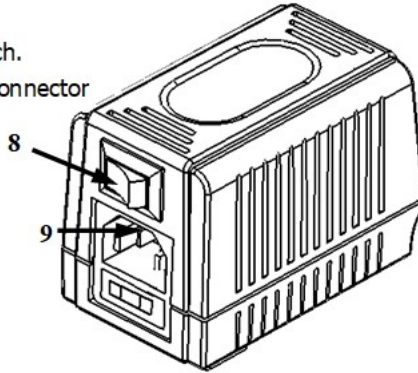
### **LEGEND:**

- 1 — Desoldering Gun Temperature Adjustment
- 2 — Temperature Regulation LED indicator
- 3 — Desoldering Gun Trigger.
- 4 — Internal Vacuum Pump.
- 5 — Waste Solder Cylinder.
- 6 — Desoldering Tip.
- 7 — Desoldering Tip Locking Nut.

## CONTROL PANEL GUIDE

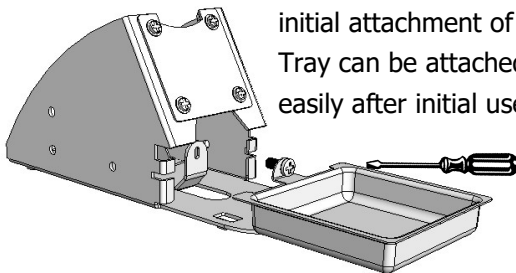
### **LEGEND cont.:**

- 8 — Main Power Switch.
- 9 — AC Power Cord Connector



## HOLDER ASSEMBLY GUIDE

Note: Ample force must be used for initial attachment of the tray.  
Tray can be attached and detached easily after initial use.



## OPERATING GUIDELINES

**IMPORTANT:** Please refer to the **CONTROL GUIDE** page for controls and parts directory.

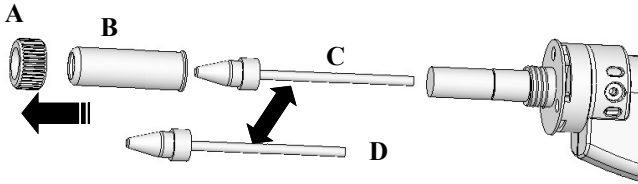
### **A. INITIAL PROCEDURES**

1. Plug the device to the main power source using the power cord provided in the package.
2. With all power switches in the OFF position and all terminal connections properly secured, The system can be switched ON by activating the main power switch located at the back of the power block.

### **B. SELECTING THE DESOLDERING TIP**

1. Make sure the tip is cool before changing tip. Failure to do so may result to burns or other injury.
2. Select the appropriate desoldering tip for the job. Sizes are available for different applications.
3. Unscrew the desoldering tip locking nut (A) to loosen the metal barrel (B). The desoldering tip (C) may be pulled out for replacement .
4. Insert the appropriate tip (D) into the heater then lock the heater in place with the locking nut (A) and the metal barrel (B).

## OPERATING GUIDELINES

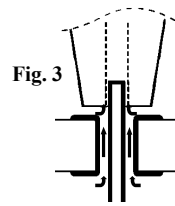
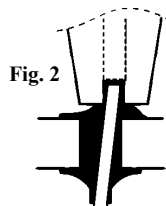
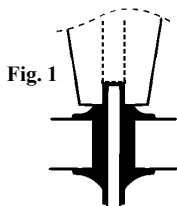


### **C. DESOLDERING**

1. Adjust the desoldering gun temperature using the DESOLDERING GUN TEMPERATURE ADJUSTMENT Knob (1).
2. Allow the desoldering gun's tip and its barrel to heat up. The temperature regulation LED indicator (2) will light up indicating that the systems is heating up. The LED indicator (2) will start blinking when the desired temperature has been reached. The after the tip temperature has been reached.
3. Place nozzle to melt the solder of a thru hole component to be desoldered (see Fig. 1). Ensure that all the solder is melted before triggering the pump motor via the desoldering gun trigger (3). Note: Partially melted solder will still be sucked up however it would clog the barrel.

## OPERATING GUIDELINES

4. If solder gets stuck at the end of the barrel, clean the barrel and wait a few more minutes for the barrel to heat up.
5. Upon pressing the desoldering gun trigger (3), hold the trigger for 1 to 2 seconds longer, as larger lumps of solder may need a longer suction time to clear the barrel and go into the waste solder cylinder(5).
6. To check if all the solder is melted, observe the back-side of the solder pad, if solder pad cannot be monitored, slowly move the desoldering nozzle (see Fig.2) . if the components lead moves then the solder has melted. Note: Never force the component leads if it does not move then it means the solder has not melted.
7. Ensure that all the solder have been sucked up (See Fig. 3), if some solder remains, resolder pads and repeat the process.



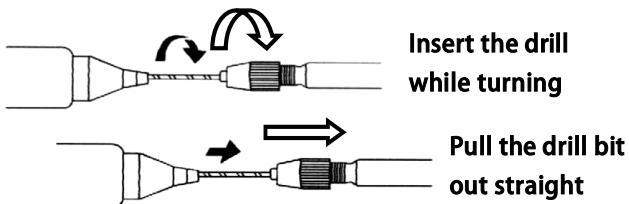
## CARE AND MAINTENANCE

### **A. DE-CLOGGING**

1. The solder pathway can be cleaned using the provided Nozzle cleaning pin, use the cleaning pin when pathway seems clogged.
2. Turn on the desoldering gun and wait for the nozzle to heat up.



3. Slowly insert the cleaning pin. If the cleaning pin does not pass through the hole in the nozzle, clean with the cleaning drill.
4. Slowly insert the cleaning drill while turning the cleaning drill clockwise.
5. Pull out the cleaning drill in a straight motion.
6. Repeat steps 3-4 until clog is removed.



## CARE AND MAINTENANCE

**Caution:** If the cleaning drill is forced into the nozzle, the drill could break.

Please use the proper sized cleaning drill for the nozzle diameter.

### **B. DESOLDERING TIP**

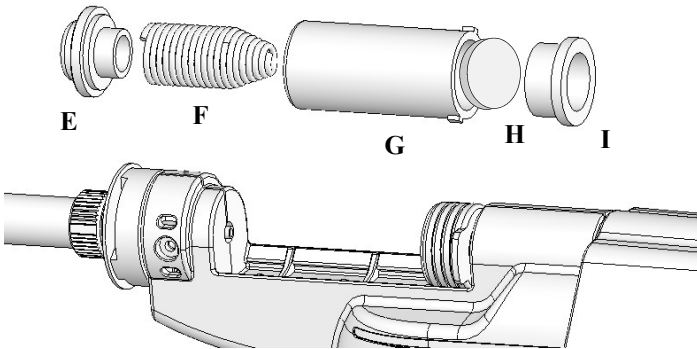
1. Always keep the solder-plated section of the tip coated with a small amount of solder. Oxides generated on the tip of the nozzle reduces its heat conductivity. Coating the tip with a small amount of fresh solder ensures maximum heat conductivity is obtained.

### **C. FILTER**

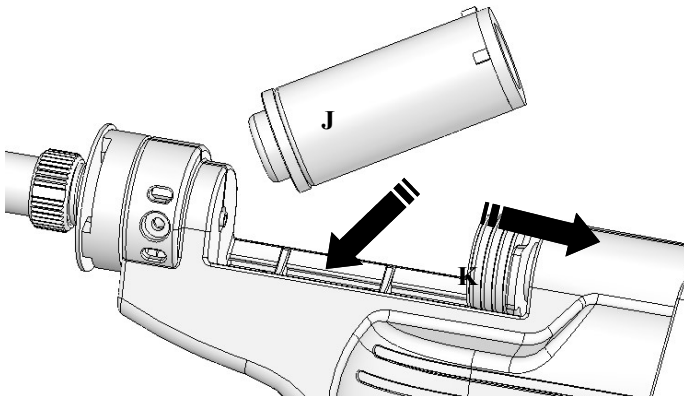
1. Apply a little amount of cleaning gel inside the spring filter (F) for easy waste solder clean up.
2. Filter assembly: Insert spring filter (F) to the front cap (E) insert front cap with spring filter attached into the front of the waste solder barrel (G), insert sponge (H) into the other end of the waste solder barrel (G), plug the end With the back cap (I).



## CARE AND MAINTENANCE



3. Insert filter barrel assembly by pulling on the spring loaded stopper then sliding the filter barrel assembly into position.



## BASIC TROUBLESHOOTING GUIDE

### **PROBLEM 1: THE UNIT HAS NO POWER**

1. Check if the unit is switched ON.
2. Check the fuse. Replace with the same type if fuse is blown.
3. Check the power cord and make sure there are no disconnections.
4. Verify that the unit is properly connected to the power source.

### **PROBLEM 2: TIP HAS TROUBLE MELTING SOLDER**

**Description:** Desoldering tip is hot but is not able to melt solder. The tip might have some oxidation . Or the set temperature might be too low.

#### **SOLUTION:**

Clean the desoldering tip with our tip cleaner TY-98 or Aoyue 128 tip cleaning system. Set temperature a little higher until solder melts.

### **PROBLEM 3: DESOLDERING GUN HEATS UP BUT SUCTION HAS DETERIORATED**

**Description:** System is having trouble sucking up melted solder.

#### **SOLUTION:**

The spring filter might be full or there is a blockage on the airflow path. Clean the spring filter and sponge and follow steps in de-clogging.

### **OTHER PROBLEMS NOT MENTIONED:**

Contact the vendor.

This appliance can be used by children aged from 8 years and above and persons with reduced physical, sensory or mental capabilities or lack of experience and knowledge if they have been given supervision or instruction concerning use of the appliance in a safe way and understand the hazards involved. Children shall not play with the appliance. Cleaning and user maintenance shall not be made by children without supervision.

The specific instructions related to the safe operation of this appliance (as given in 7.12 of this standard) shall be collated together in the front section of the user instructions.


The height of the characters, measured on the capital letters, shall be at least 3 mm.

These instructions shall also available in an alternative format, e.g. on a website.

A fire may result if the appliance is not used with care, therefore:

- be careful when using the appliance in places where there are combustible materials ;
- do not apply to the same place for a long time;
- do not use in presence of an explosive atmosphere;
- be aware that heat may be conducted to combustible materials that are out of sight;
- place the appliance on its stand after use and allow it to cool down before storage;
- do not leave the appliance unattended when it is switched on.

Rohs

Correct Disposal of this product	
	This marking indicates that this product should not be disposed with other household wastes throughout the EU. To prevent possible harm to the environment or human health from uncontrolled waste disposal, recycle it responsibly to promote the sustainable reuse of material resources. To return your used device, please use the return and collection systems or contact the retailer where the product was purchased. They can take this product for environmental safe recycling.

**AOYUE INTERNATIONAL LIMITED**

Jishui Industrial Zone, Nantou, Zhongshan City,  
Guangdong Province, P.R.China  
<http://www.aoyue3d.com>