

DS26F32C/DS26F32M Quad Differential Line Receiver

General Description

The DS26F32 is a quad differential line receiver designed to meet the requirements of EIA Standards RS-422 and RS-423, and Federal Standards 1020 and 1030 for balanced and unbalanced digital data transmission.

The DS26F32 offers improved performance due to the use of state-of-the-art L-FAST bipolar technology. The L-FAST technology allows for higher speeds and lower currents by utilizing extremely short gate delay times. Thus, the DS26F32 features lower power, extended temperature range, and improved specifications.

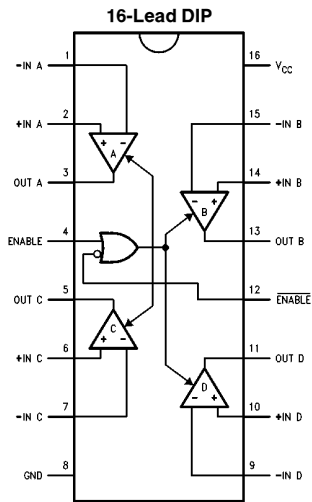
The device features an input sensitivity of 200 mV over the input common mode range of $\pm 7.0V$. The DS26F32 provides an enable function common to all four receivers and TRI-STATE® outputs with 8.0 mA sink capability. Also, a fail-safe input/output relationship keeps the outputs high when the inputs are open.

The DS26F32 offers optimum performance when used with the DS26F31 Quad Differential Line Driver.

Features

- Military temperature range
- Input voltage range of $\pm 7.0V$ (differential or common mode) $\pm 0.2V$ sensitivity over the input voltage range
- Meets all the requirements of EIA standards RS-422 and RS-423
- High input impedance (18k typical)
- 30 mV input hysteresis
- Operation from single +5.0V supply
- Input pull-down resistor prevents output oscillation on unused channels
- TRI-STATE outputs, with choice of complementary enables, for receiving directly onto a data bus
- Propagation delay 15 ns typical

Connection Diagrams



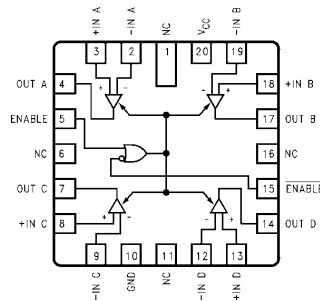
Top View

Order Number DS26F32CJ or DS26F32MJ
See NS Package Number J16A

For Complete Military 883 Specifications,
see RETS Datasheet.

Order Number DS26F32ME/883,
DS26F32MJ/883 or DS26F32MW/883
See NS Package Number E20A, J16A or W16A

20-Lead Ceramic Leadless Chip Carrier



TL/F/9615-7

Function Table (Each Receiver)

Differential Inputs	Enables		Outputs
$V_{ID} = (V_{IN+}) - (V_{IN-})$	E	\bar{E}	OUT
$V_{ID} \geq 0.2V$	H	X	H
	X	L	H
$V_{ID} \leq -0.2V$	H	X	L
	X	L	L
X	L	H	Z

H = High Level
L = Low Level
X = Immaterial

TRI-STATE® is a registered trademark of National Semiconductor Corporation.

Absolute Maximum Ratings (Note 1)

If Military/Aerospace specified devices are required, please contact the National Semiconductor Sales Office/Distributors for availability and specifications.

Storage Temperature Range		
Ceramic DIP	–65°C to +175°C	
Operating Temperature Range		
DS26F32M	–55°C to +125°C	
DS26F32C	0°C to +70°C	
Lead Temperature		
Ceramic DIP (soldering, 60 sec)	300°C	
Maximum Power Dissipation* at 25°C		
Cavity Package	1500 mW	
Supply Voltage		7.0V

*Derate cavity package 10 mW/°C above 25°C.

Common Mode Voltage Range	±25V
Differential Input Voltage	±25V
Enable Voltage	7.0V
Output Sink Current	50 mA

Operating Range

DS26F32C		
Temperature	0°C to +70°C	
Supply Voltage	4.75V to 5.25V	
DS26F32M		
Temperature	–55°C to +125°C	
Supply Voltage	4.5V to 5.5V	

Electrical Characteristics Over operating range, unless otherwise specified (Notes 2 and 3)

Symbol	Parameter	Conditions	Min	Typ	Max	Units
V_{TH}	Differential Input Voltage	$-7.0V \leq V_{CM} \leq +7.0V$, $V_O = V_{OL}$ or V_{OH}	–0.2	±0.06	+0.2	V
R_I	Input Resistance	$-15V \leq V_{CM} \leq +15V$, One Input AC Ground	14	18		k Ω
I_I	Input Current (under Test)	$V_I = +15V$, Other Input $-15V \leq V_I \leq +15V$			2.3	mA
		$V_I = -15V$, Other Input $-15V \leq V_I \leq +15V$			–2.8	
V_{OH}	Output Voltage HIGH	$V_{CC} = \text{Min}$, $\Delta V_I = +1.0V$, $V_{ENABLE} = 0.8V$, $I_{OH} = -440 \mu A$	0°C to +70°C	2.8	3.4	V
			–55°C to +125°C	2.5	3.4	
V_{OL}	Output Voltage LOW	$V_{CC} = \text{Min}$, $\Delta V_I = -1.0V$, $V_{ENABLE} = 0.8V$	$I_{OL} = 4.0 \text{ mA}$		0.4	V
			$I_{OL} = 8.0 \text{ mA}$		0.45	
V_{IL}	Enable Voltage LOW				0.8	V
V_{IH}	Enable Voltage HIGH		2.0			V
V_{IC}	Enable Clamp Voltage	$V_{CC} = \text{Min}$, $I_I = -18 \text{ mA}$			–1.5	V
I_{OZ}	Off State (High Impedance) Output Current	$V_{CC} = \text{Max}$	$V_O = 2.4V$		20	μA
			$V_O = 0.4V$		–20	
I_{IL}	Enable Current LOW	$V_I = 0.4V$		–0.2	–0.36	mA
I_{IH}	Enable Current HIGH	$V_I = 2.7V$		0.5	10	μA
I_I	Enable Input High Current	$V_I = 5.5V$		1.0	50	μA
I_{OS}	Output Short Circuit Current	$V_O = 0V$, $V_{CC} = \text{Max}$, (Note 4) $\Delta V_I = +1.0V$	–15	–50	–85	mA
I_{CC}	Supply Current	$V_{CC} = \text{Max}$, All $V_I = \text{GND}$, Outputs Disabled		30	50	mA
V_{HYST}	Input Hysteresis	$T_A = 25^\circ C$, $V_{CC} = 5.0V$, $V_{CM} = 0V$		30		mV

Note 1: “Absolute Maximum Ratings” are those values beyond which the safety of the device cannot be guaranteed. They are not meant to imply that the devices should be operated at these limits. The tables of “Electrical Characteristics” provide conditions for actual device operation.

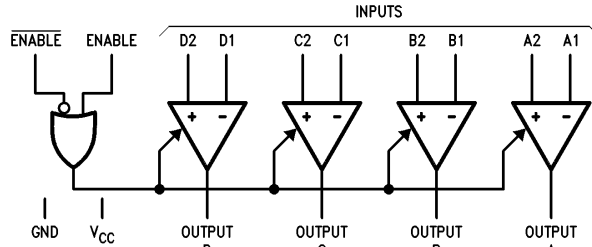
Note 2: Unless otherwise specified min/max limits apply across the –55°C to +125°C temperature range for the DS26F32M and across the 0°C to +70°C range for the DS26F32C. All typicals are given for $V_{CC} = 5V$ and $T_A = 25^\circ C$.

Note 3: All currents into the device pins are positive; all currents out of the device pins are negative. All voltages are reference to ground unless otherwise specified.

Note 4: Only one output at a time should be shorted.

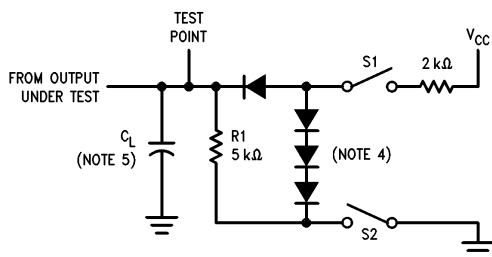
Switching Characteristics $V_{CC} = 5.0V, T_A = 25^\circ C$

Symbol	Parameter	Conditions		Min	Typ	Max	Units
t_{PLH}	Input to Output	Figures 2, 3	$C_L = 15 \text{ pF}$		15	22	ns
t_{PHL}	Input to Output				15	22	ns
t_{LZ}	Enable to Output	Figures 2, 4	$C_L = 5 \text{ pF}$		14	18	ns
t_{HZ}	Enable to Output				15	20	ns
t_{ZL}	Enable to Output		$C_L = 15 \text{ pF}$		13	18	ns
t_{ZH}	Enable to Output				12	16	ns



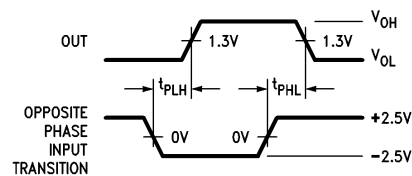
TL/F/9615-2

FIGURE 1. Logic Symbol



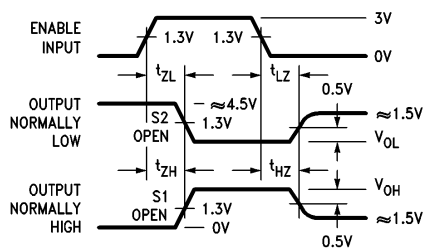
TL/F/9615-3

FIGURE 2. Load Test Circuit for Three-State Outputs



TL/F/9615-4

FIGURE 3. Propagation Delay (Notes 1, 2 and 3)



TL/F/9615-5

FIGURE 4. Enable and Disable Times (Notes 1, 2 and 3)

Note 1: Diagram shown for $\overline{\text{ENABLE}}$ Low.

Note 2: S1 and S2 of Load Circuit are closed except where shown.

Note 3: Pulse Generator of all Pulses: Rate $\leq 1.0 \text{ MHz}$, $Z_O = 50\Omega$, $t_r \leq 6.0 \text{ ns}$, $t_f \leq 6.0 \text{ ns}$.

Note 4: All diodes are IN916 or IN3064.

Note 5: C_L includes probe and jig capacitance.

Typical Application

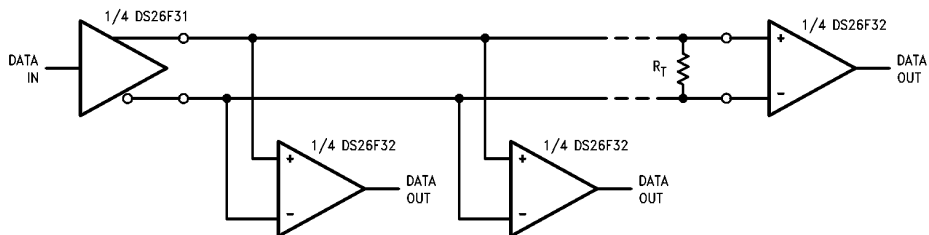
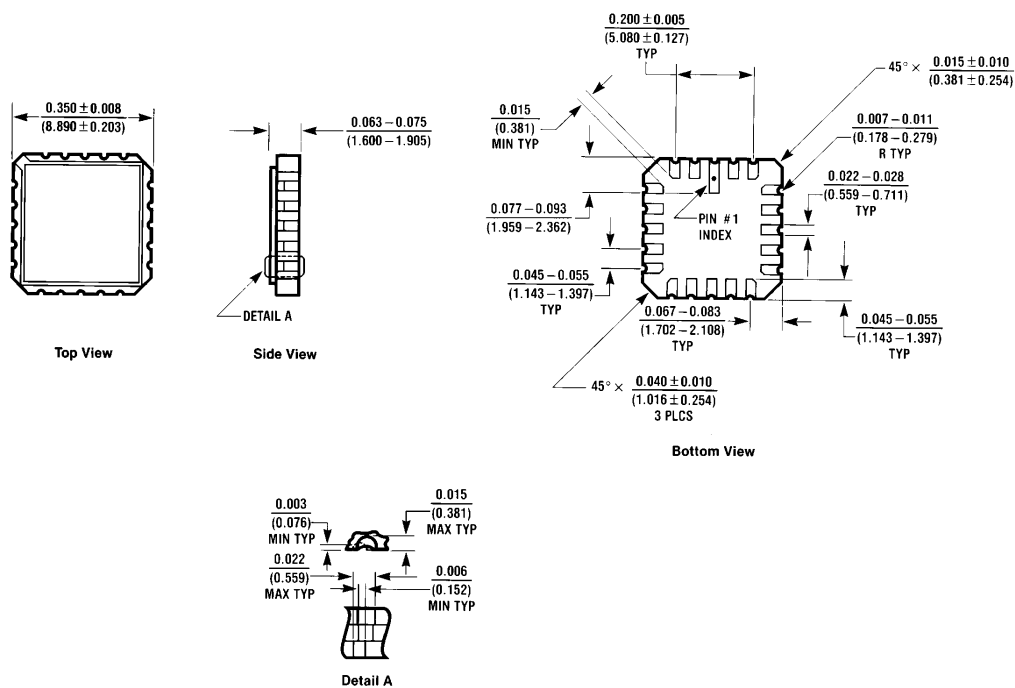


FIGURE 5

TL/F/9615-6

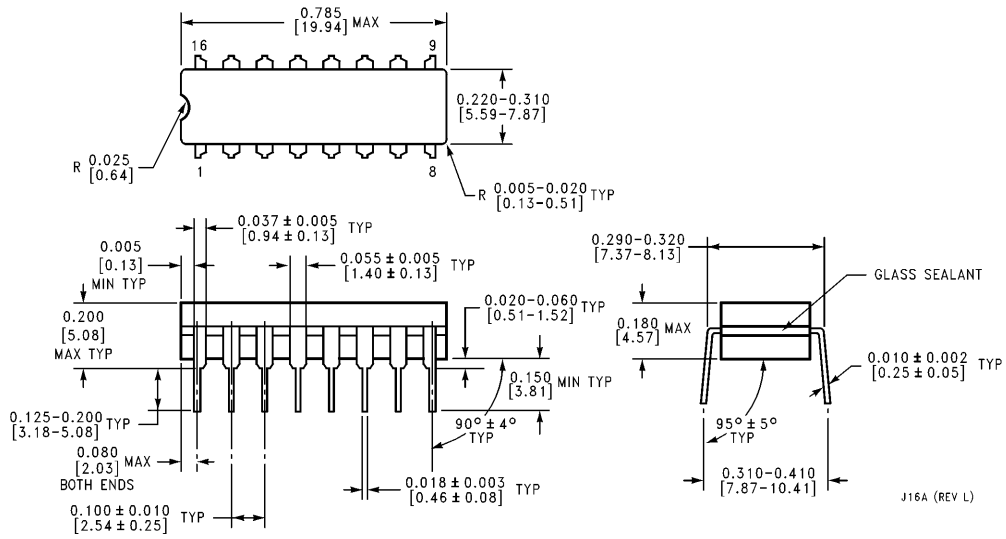
Physical Dimensions inches (millimeters)



Order Number DS26F32ME/883
NS Package Number E20A

E20A (REV D)

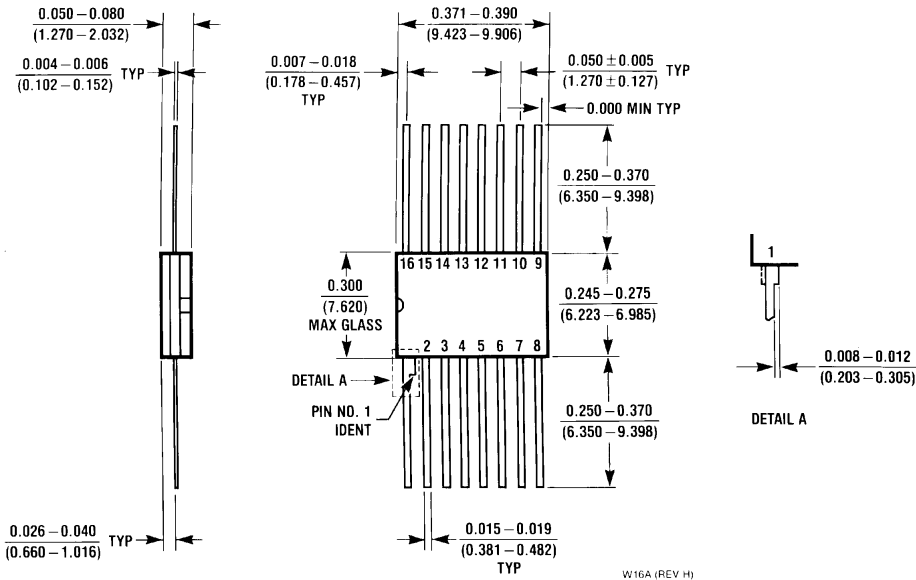
Physical Dimensions inches (millimeters) (Continued)



Ceramic Dual-In-Line Package (J)
Order Number DS26F32CJ, DS26F32MJ or DS26F32MJ/883
NS Package Number J16A

DS26F32C/DS26F32M Quad Differential Line Receiver

Physical Dimensions inches (millimeters) (Continued)



Order Number DS26F32MW/883
NS Package Number W16A

LIFE SUPPORT POLICY

NATIONAL'S PRODUCTS ARE NOT AUTHORIZED FOR USE AS CRITICAL COMPONENTS IN LIFE SUPPORT DEVICES OR SYSTEMS WITHOUT THE EXPRESS WRITTEN APPROVAL OF THE PRESIDENT OF NATIONAL SEMICONDUCTOR CORPORATION. As used herein:

1. Life support devices or systems are devices or systems which, (a) are intended for surgical implant into the body, or (b) support or sustain life, and whose failure to perform, when properly used in accordance with instructions for use provided in the labeling, can be reasonably expected to result in a significant injury to the user.
2. A critical component is any component of a life support device or system whose failure to perform can be reasonably expected to cause the failure of the life support device or system, or to affect its safety or effectiveness.



National Semiconductor Corporation
 1111 West Bardin Road
 Arlington, TX 76017
 Tel: 1(800) 272-9959
 Fax: 1(800) 737-7018

<http://www.national.com>

National Semiconductor Europe

Fax: +49 (0) 180-530 85 86
 Email: europe.support@nsc.com
 Deutsch Tel: +49 (0) 180-530 85 85
 English Tel: +49 (0) 180-532 78 32
 Français Tel: +49 (0) 180-532 93 58
 Italiano Tel: +49 (0) 180-534 16 80

National Semiconductor Hong Kong Ltd.

19th Floor, Straight Block,
 Ocean Centre, 5 Canton Rd.
 Tsimshatsui, Kowloon
 Hong Kong
 Tel: (852) 2737-1600
 Fax: (852) 2736-9960

National Semiconductor Japan Ltd.

Tel: 81-043-299-2308
 Fax: 81-043-299-2408

National does not assume any responsibility for use of any circuitry described, no circuit patent licenses are implied and National reserves the right at any time without notice to change said circuitry and specifications.