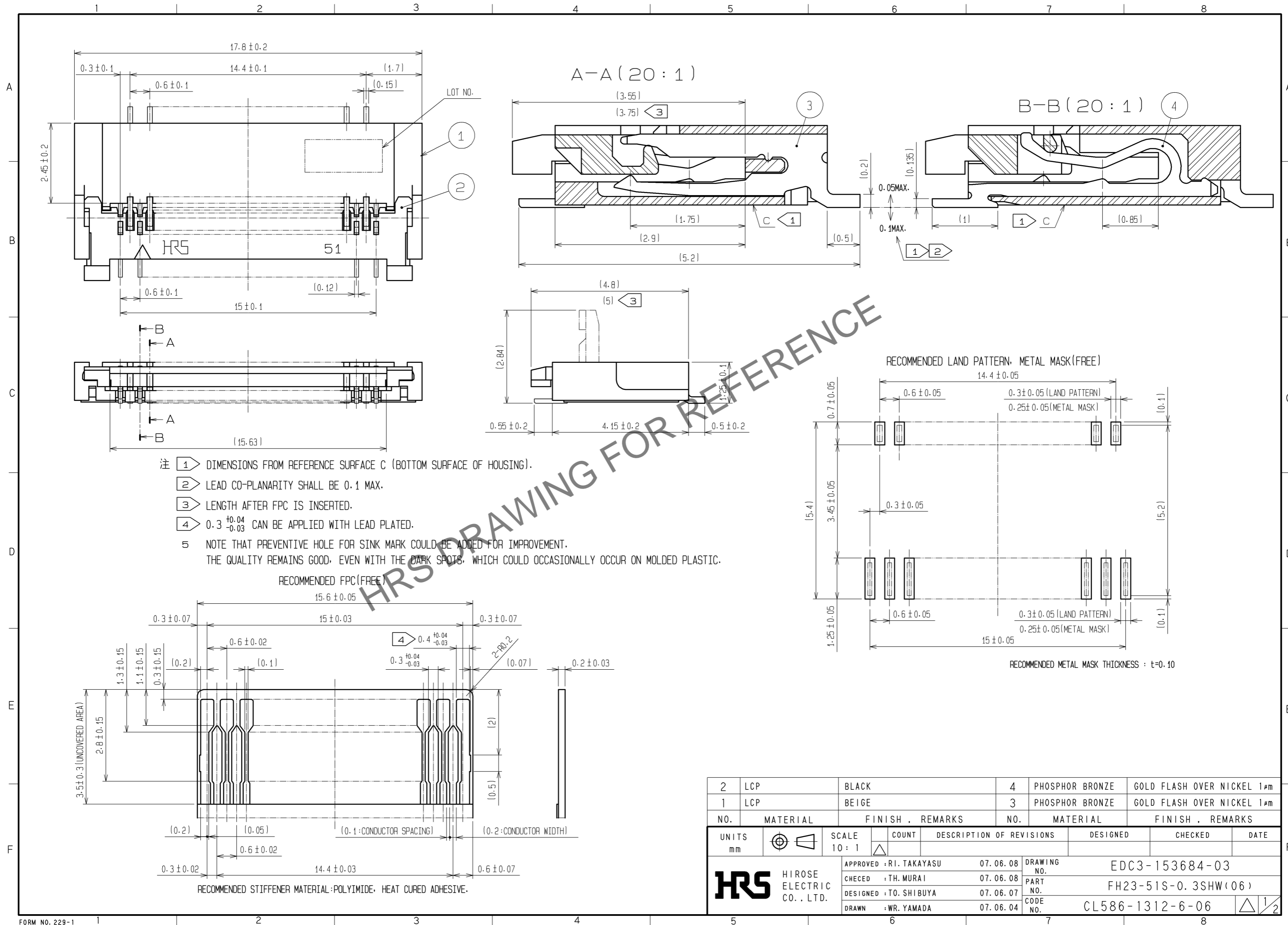
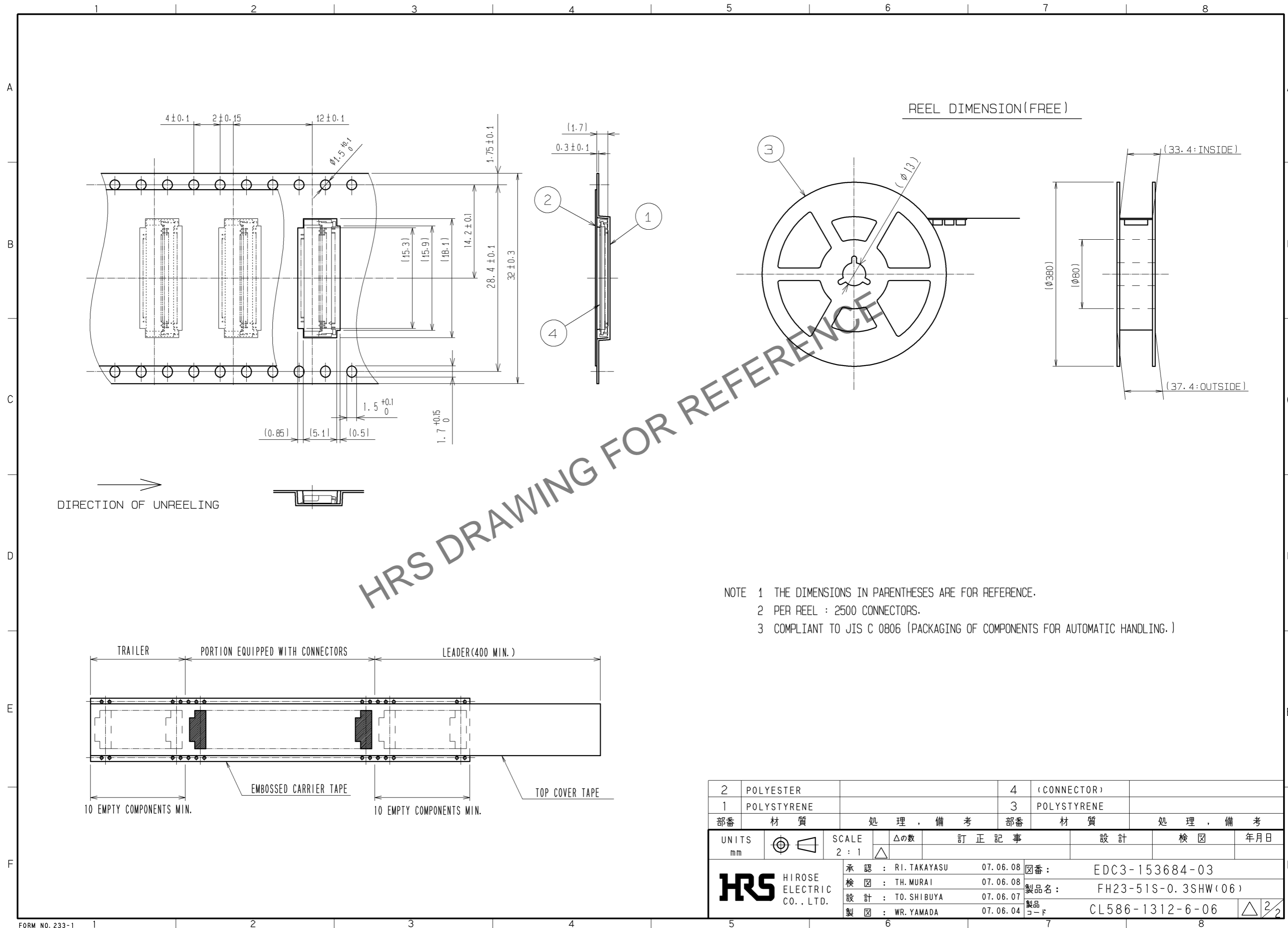


Aug.1.2024 Copyright 2024 HIROSE ELECTRIC CO., LTD. All Rights Reserved.
 In case of consideration for using Automotive equipment / device which demand high reliability, kindly contact our sales window correspondents.



2	LCP	BLACK	4	PHOSPHOR BRONZE	GOLD FLASH OVER NICKEL 1μm		
1	LCP	BEIGE	3	PHOSPHOR BRONZE	GOLD FLASH OVER NICKEL 1μm		
NO.	MATERIAL	FINISH . REMARKS	NO.	MATERIAL	FINISH . REMARKS		
UNITS mm		SCALE 10 : 1	COUNT 	DESCRIPTION OF REVISIONS	DESIGNED	CHECKED	DATE
APPROVED : RI. TAKAYASU 07.06.08				DRAWING NO. EDC3-153684-03			
CHECKED : TH. MURAI 07.06.08				PART NO. FH23-51S-0.3SHW(06)			
DESIGNED : TO. SHIBUYA 07.06.07				CODE NO. CL586-1312-6-06			
DRAWN : WR. YAMADA 07.06.04							

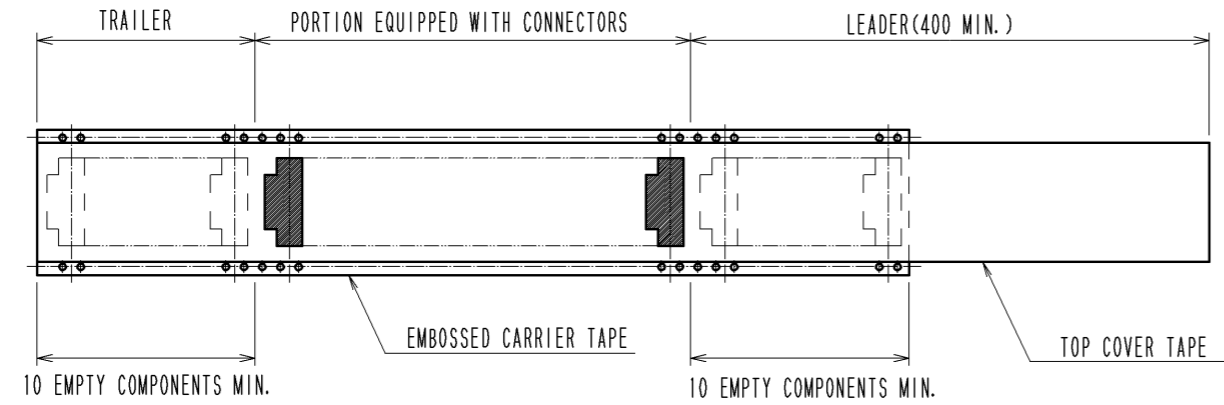
Aug.1.2024 Copyright 2024 HIROSE ELECTRIC CO., LTD. All Rights Reserved.
In case of consideration for using Automotive equipment / device which demand high reliability, kindly contact our sales window correspondents.



REEL DIMENSION(FREE)

→
DIRECTION OF UNREELING

- NOTE 1 THE DIMENSIONS IN PARENTHESES ARE FOR REFERENCE.
 2 PER REEL : 2500 CONNECTORS.
 3 COMPLIANT TO JIS C 0806 (PACKAGING OF COMPONENTS FOR AUTOMATIC HANDLING.)



2	POLYESTER		4	(CONNECTOR)	
1	POLYSTYRENE		3	POLYSTYRENE	
部番	材質	処理, 備考	部番	材質	処理, 備考
UNITS mm		SCALE 2:1		訂正記事	設計
HRS HIROSE ELECTRIC CO., LTD.		承認 : RI. TAKAYASU 07.06.08	検 査 : TH. MURAI 07.06.08	設 計 : TO. SHIBUYA 07.06.07	製 図 : WR. YAMADA 07.06.04
			図番 :	EDC3-153684-03	
			製品名 :	FH23-51S-0.3SHW(06)	
			製品コード :	CL586-1312-6-06	
					△ 2/2

Mouser Electronics

Authorized Distributor

Click to View Pricing, Inventory, Delivery & Lifecycle Information:

[Hirose Electric:](#)

[FH23-51S-0.3SHW\(06\)](#)