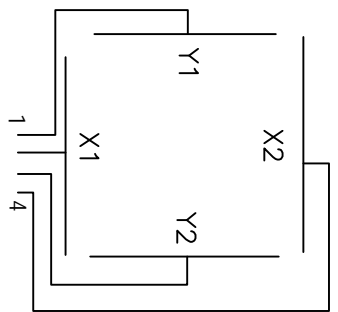
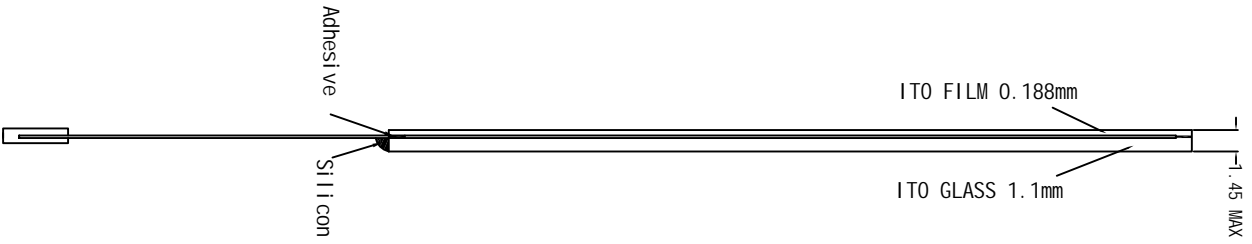
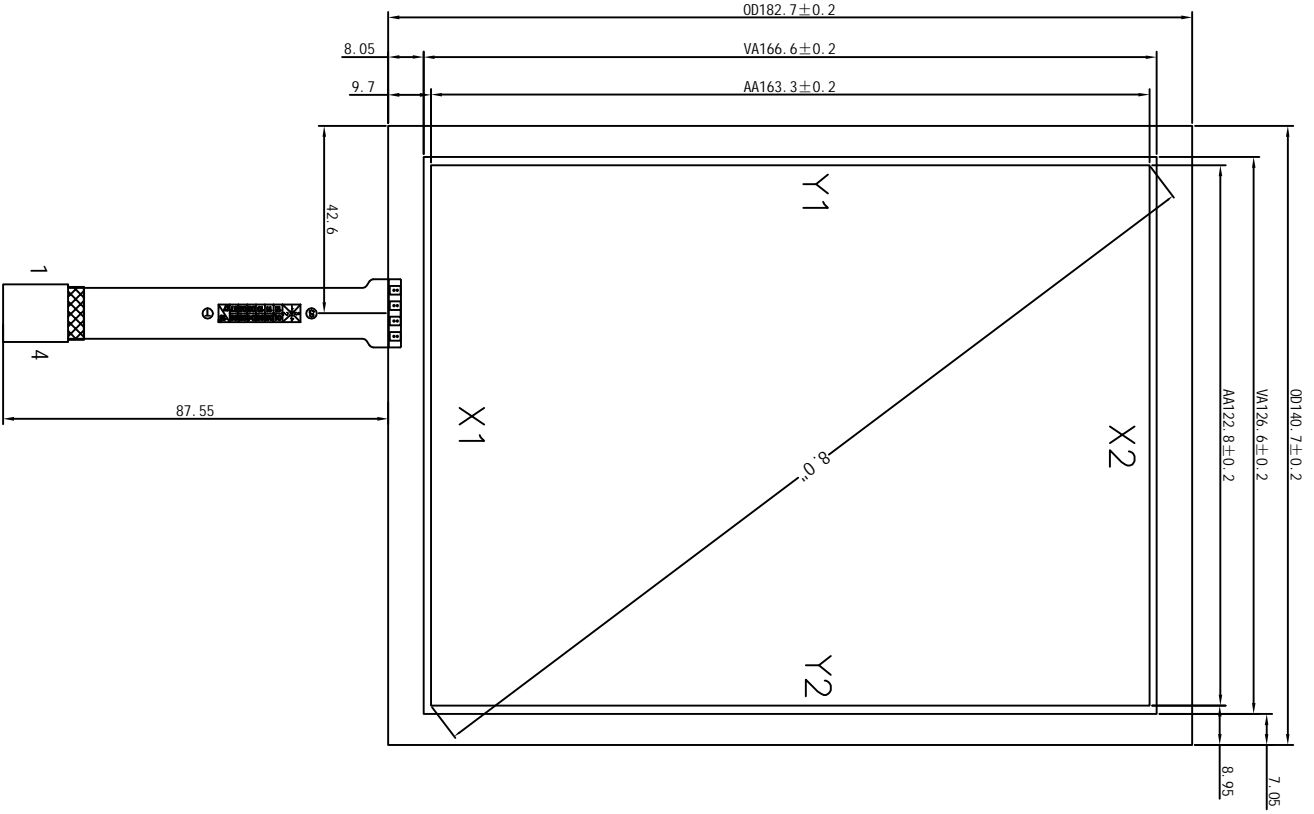


REV	MARK	HI STORY	DATE	NAME
-----	------	----------	------	------



PIN	WIRING
1	Y1
2	X1
3	Y2
4	X2

NOTES:

1. ITO Film: Clear hard coating Kant-I Newton Ring;
2. Tail Type: FCC By Golden Plated
3. Transparency:  $\geq 78\%$
4. Linearity:  $\leq 1.2\%$ ;
5. Surface Hardness:  $\geq 3H$
6. Terminal resistance: (1) TOP: 400 -1000  $\Omega$   
(2) Bottom: 150 -600  $\Omega$
7. Operation Temperature: -20° C-+70° C.  
Storage Temperature: -30° C-+80° C.
8. All materials in the drawing comply with the ROHS

Unspecified Tolerance $\pm 0.20$		VERSION: VERSION	
DESIGNED BY:	ST-08004	NO. 1	OF 1
CHECKED BY:		UNIT: MM	
		DATE: 2018-2-24	