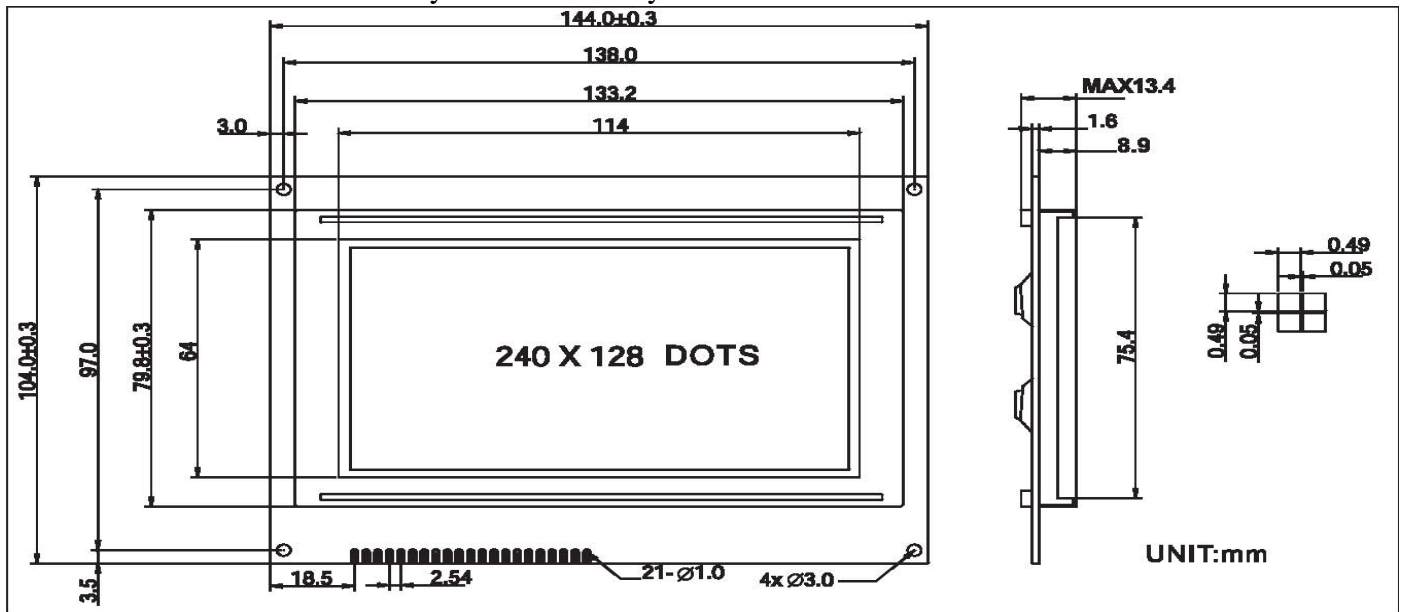


*240X128 DOTS *1/128Duty 1/12 Bias Gray mode STN Transflective



■ MECHANICAL DATA (Nominal dimensions)

module size-----144Wx104Hx13Dmm
 Effective display area-----114Wx64H mm
 Dots pitch----- 0.4Wx0.4H mm
 Dot size-----0.45Wx0.45H mm

■ ABSOLUTE MAXIMUM RATINGS min max

Power supply voltage(Vdd)----- 0.3 7.0V
 LCD-drive Voltage(Vlcd)----- VDD+0.3 VDD-3.0V
 Operating temperature-----(-10°C- +60°C)
 Storage temperature-----(-20°C- +70°C)

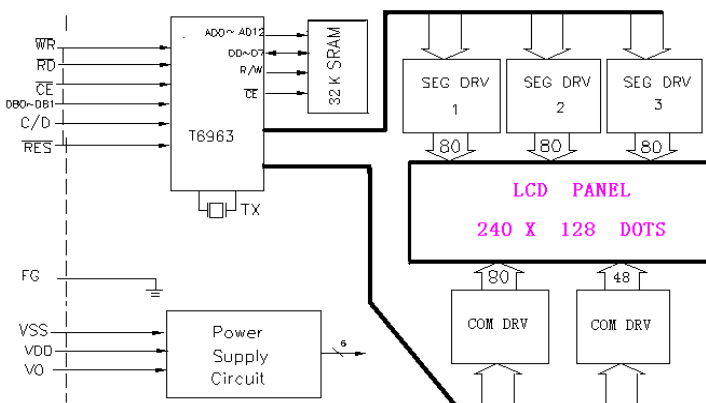
■ ELECTRICAL CHARACTERISTICS min max

Ta=25°C, Vdd=5.0V±0.25V
 Input 'low' voltage(ViL)(V) ----- 0 0.3Vdd
 Power supply current(Idd)(mA) ----- -- --
 Supply lcd current(Ilcd)(mA)----- -- --
 Drive method ----- 1/64Duty 1/9bias
 LCM power consum ----- (蓝屏 160mA)
 模块内自带负压 (-16V)

■ PIN CONNECTION

Pin No.	Symbol	Level	Function
1	FG	0V	Frame ground
2	VSS	0V	Ground
3	VDD	+5V	Power supply
4	V0	—	Operating voltage for LCD drive
5	/WR	H/L	Write signal
6	/RD	H/L	Read signal
7	CE	L	Chip enable signal
8	C/D	H/L	H:Instruction code L:Data code
9	RESET	L	Reset signal
10	D0	—	Data bus line *
11	D1	—	
12	D2	—	
13	D3	—	
14	D4	—	
15	D5	—	
16	D6	—	
17	D7	—	
18	FS	H/L	Font select(H:6x*dots L:8x8 dots)
19	VOUT	-10V	液晶显示驱动电压输出端
20	LEDA	5V	背光电源
21	LEDK	0V	背光地

■ BLOCK DIAGRAM



■ POWER SUPPLY