

STAR

STAR STAR Surface Mount Tape-and-Reel Specification



Literature Number: SNOSBW3A

STAR™ Surface Mount Tape-and-Reel Specification

General Description

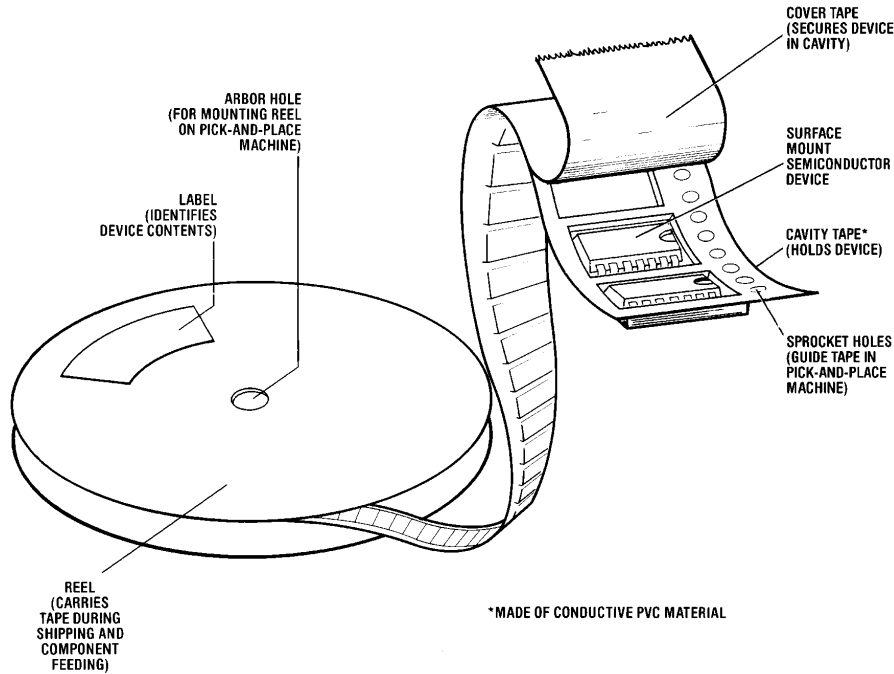
Tape-and-Reel is a new method for shipment of surface mount devices. This approach simplifies the handling of semiconductors for automated circuit board assembly systems. A Tape-and-Reel holds hundreds-to-thousands of surface mount devices (as compared with less than 100 devices in a rail), so that pick-and-place machines have to be reloaded less frequently. This savings in labor will further reduce manufacturing costs for automated circuit board assembly.

Features

- Conductive PVC material reduces static charge build-up
- Fully meets proposed EIA standard RS-481A (taping of surface-mounted components for automatic placing)

- Fully compatible with National's surface mount package types
- Variable code density code 39 bar code label for Automated Inventory Management availability
- Mechanical samples of surface mount packages available in Tape-and-Reel for automated assembly process development
- Single Tape-and-Reel holds hundreds-to-thousands of surface mount semiconductors for additional labor savings
- Conductive cover Tape-and-Reel availability
- Reels individually packed

Tape-and-Reel Diagram

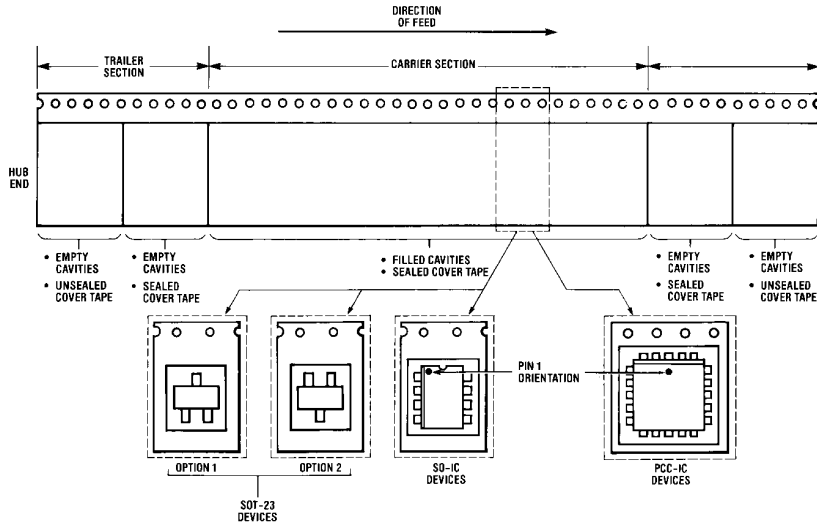


TL/HH/8352-1

STAR™ is a trademark of National Semiconductor Corporation.

Tape-and-Reel Overview

TAPE FORMAT AND DEVICE ORIENTATION



TL/HH/8352-2

		Page			Page
Small Outline Transistor	SOT-23 (High Profile)	3	Plastic Chip Carrier IC (PLCC-IC)	PLCC-20	11
	SOT-23 (Low Profile)	3		PLCC-28	12
Small Outline IC (SO-IC)	SO-8 (Narrow)	4		PLCC-44	13
	SO-14 (Narrow)	5		PLCC-68	14
	SO-14 (Wide)	6		PLCC-84	15
	SO-16 (Narrow)	7			
	SO-16 (Wide)	8			
	SO-20 (Wide)	9			
	SO-24 (Wide)	10			

MATERIALS

- Cavity Tape: Conductive PVC (less than $10^5 \Omega/\text{Sq}$)
- Cover Tape: Polyester
 1. Conductive Cover available
- Reel: 1. Solid 80 pt. Fibreboard (standard)
 2. Conductive Fibreboard available
 3. Conductive Plastic (PVC) available

LABEL

Human and machine readable label is provided on reel. A variable (C.P.I.) density code 39 is available. NSC STD Label (7.6 C.P.I.).

Field

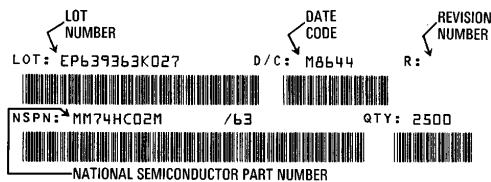
Lot Number
Date Code
Revision Level
National Part No. I.D.
Quantity

Fields are separated by at least one blank space.

Future Tape-and-Reel packs will also include a smaller-size bar code label (high-density code 39) at the beginning of the tape. (This tape label is not available on current production.)

National Semiconductor will also offer additional labels containing information per your specific specification.

Example:



TL/HH/8352-3

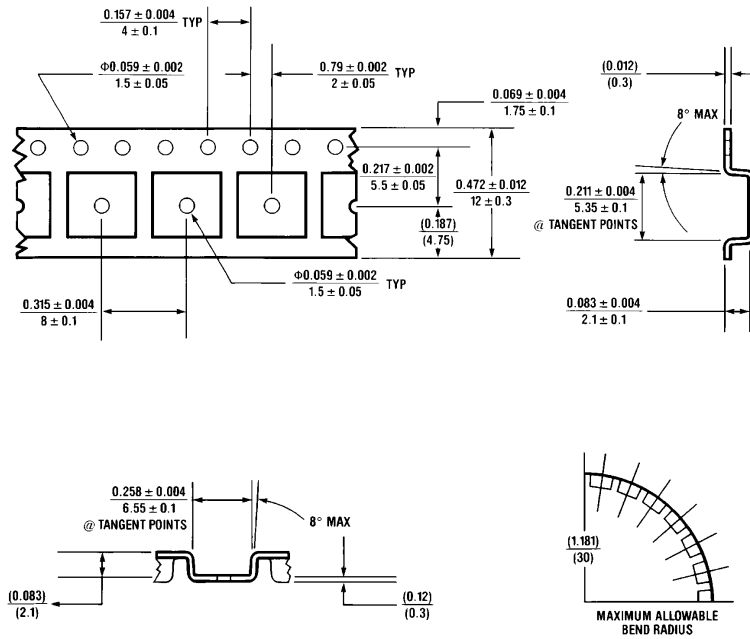
SO-8 (Narrow)

TAPE FORMAT

Direction of Feed ↑

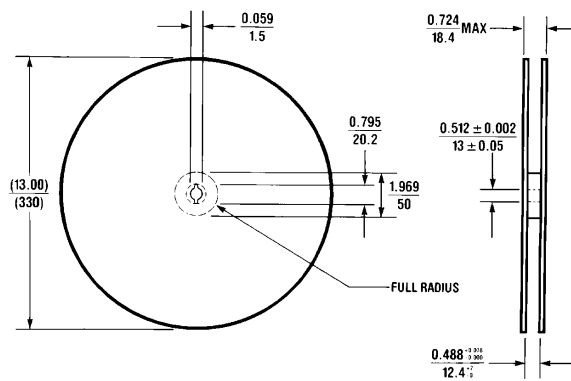
Tape Section	# Cavities	Cavity Status	Cover Tape Status
Leader (Start End)	5 (min)	Empty	Unsealed
	5 (min)	Empty	Sealed
Carrier	2500	Filled	Sealed
Trailer (Hub End)	2 (min)	Empty	Sealed
	2 (min)	Empty	Unsealed

TAPE DIMENSIONS



TL/HH/8352-6

REEL DIMENSIONS



TL/HH/8352-7

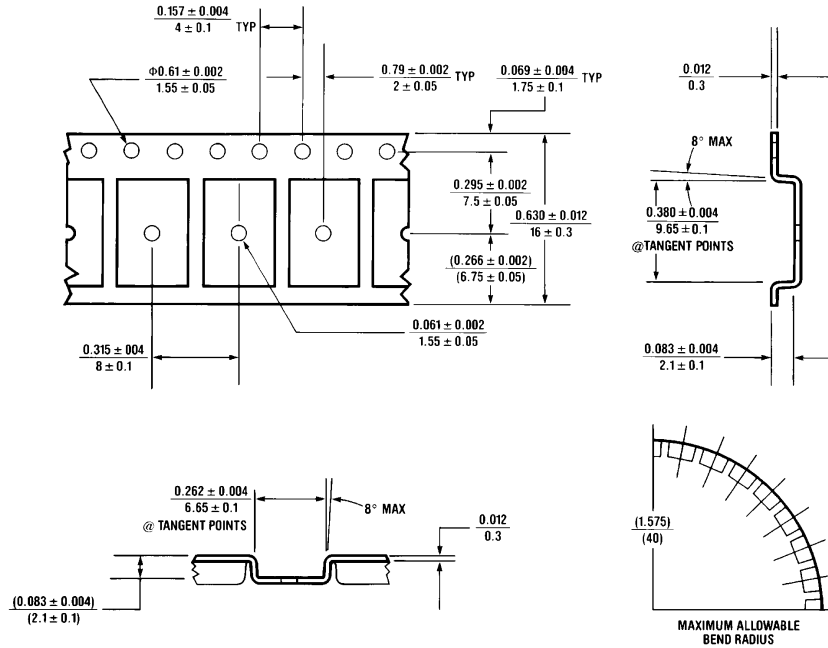
SO-14 (Narrow)

TAPE FORMAT

Tape Section	# Cavities	Cavity Status	Cover Tape Status
Leader (Start End)	5 (min)	Empty	Unsealed
	5 (min)	Empty	Sealed
Carrier	2500	Filled	Sealed
Trailer (Hub End)	2 (min)	Empty	Sealed
	2 (min)	Empty	Unsealed

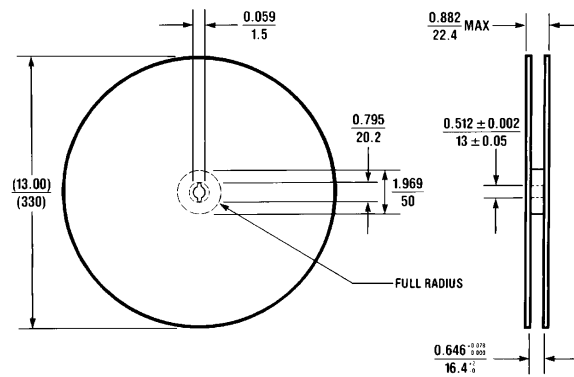
Direction of Feed ↑

TAPE DIMENSIONS



TL/HH/8352-8

REEL DIMENSIONS



TL/HH/8352-9

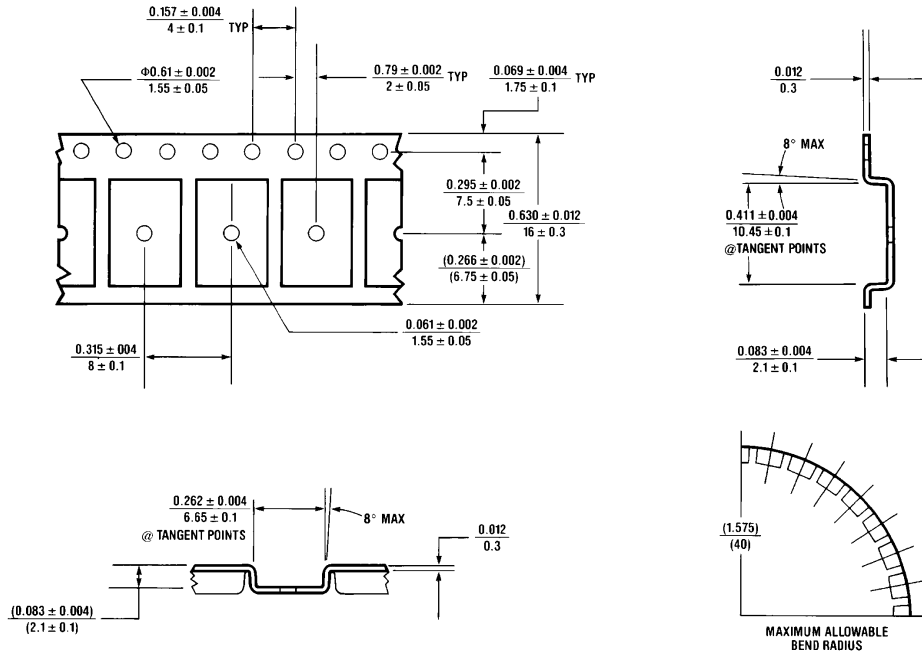
SO-16 (Narrow)

TAPE FORMAT

Direction
of
Feed ↑

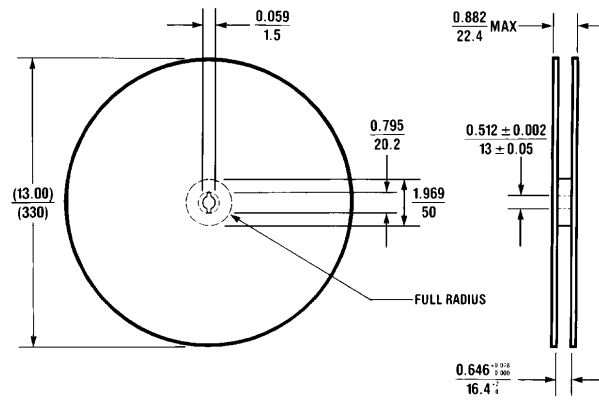
Tape Section	# Cavities	Cavity Status	Cover Tape Status
Leader (Start End)	5 (min)	Empty	Unsealed
	5 (min)	Empty	Sealed
Carrier	2500	Filled	Sealed
Trailer (Hub End)	2 (min)	Empty	Sealed
	2 (min)	Empty	Unsealed

TAPE DIMENSIONS



TL/HH/8352-12

REEL DIMENSIONS



TL/HH/8352-13

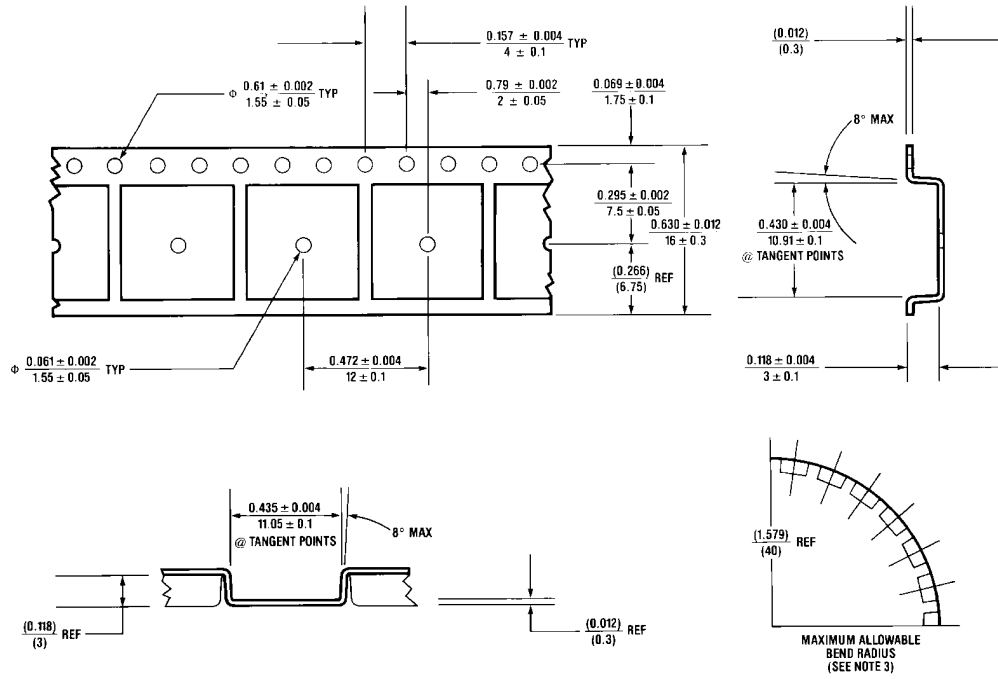
SO-16 (Wide)

TAPE FORMAT

Direction
of
Feed
↑

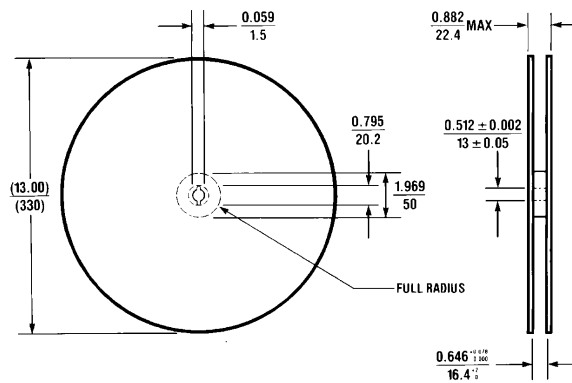
Tape Section	# Cavities	Cavity Status	Cover Tape Status
Leader (Start End)	5 (min)	Empty	Unsealed
	5 (min)	Empty	Sealed
Carrier	1000	Filled	Sealed
Trailer (Hub End)	2 (min)	Empty	Sealed
	2 (min)	Empty	Unsealed

TAPE DIMENSIONS



TL/HH/8352-14

REEL DIMENSIONS



TL/HH/8352-15

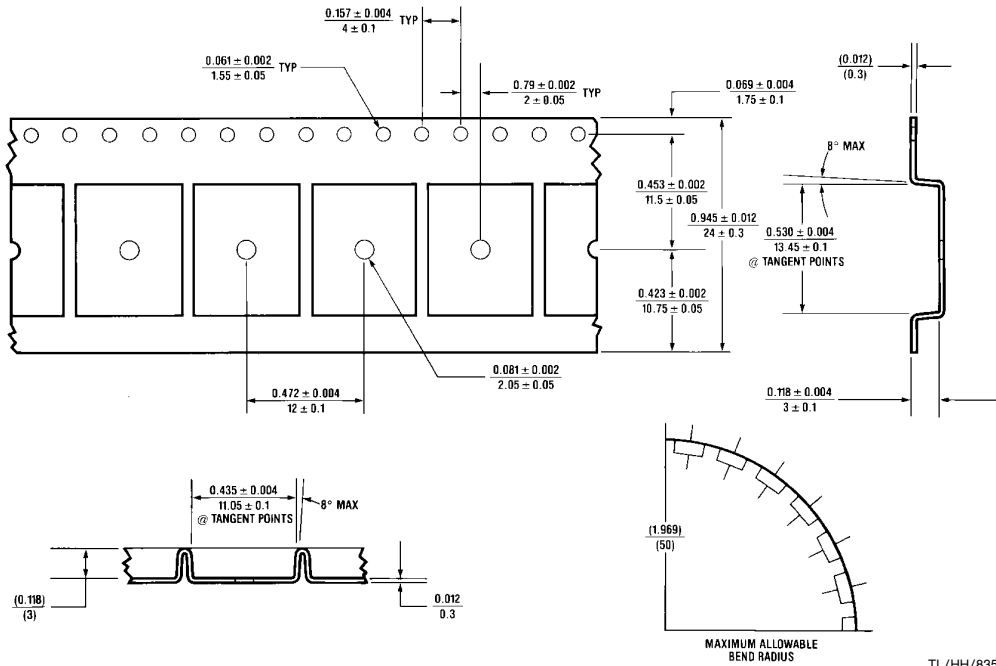
SO-20 (Wide)

TAPE FORMAT

Direction of Feed ↑

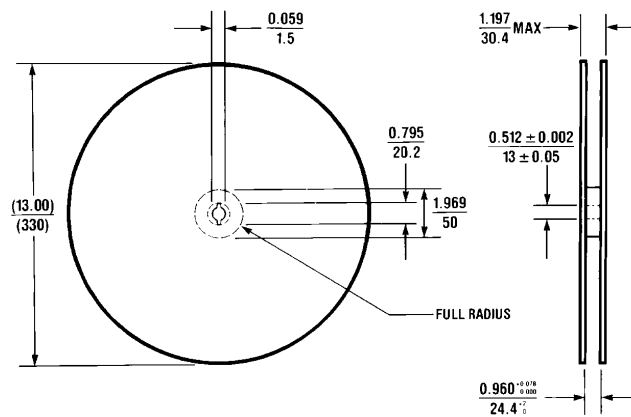
Tape Section	# Cavities	Cavity Status	Cover Tape Status
Leader (Start End)	5 (min)	Empty	Unsealed
	5 (min)	Empty	Sealed
Carrier	1000	Filled	Sealed
Trailer (Hub End)	2 (min)	Empty	Sealed
	2 (min)	Empty	Unsealed

TAPE DIMENSIONS



TL/HH/8352-16

REEL DIMENSIONS



TL/HH/8352-17

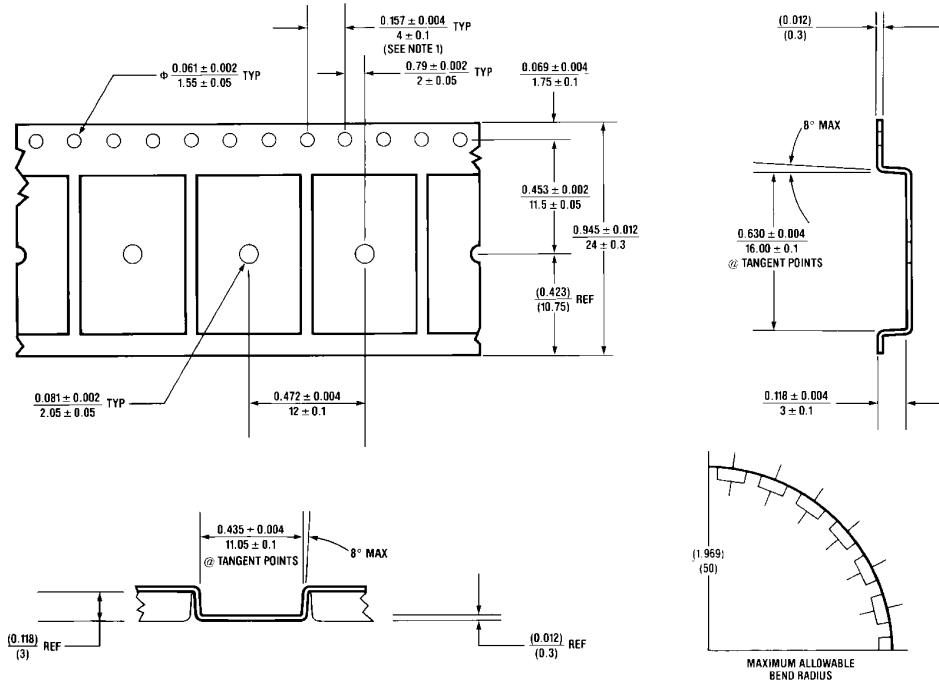
SO-24 (Wide)

TAPE FORMAT

Direction of Feed ↑

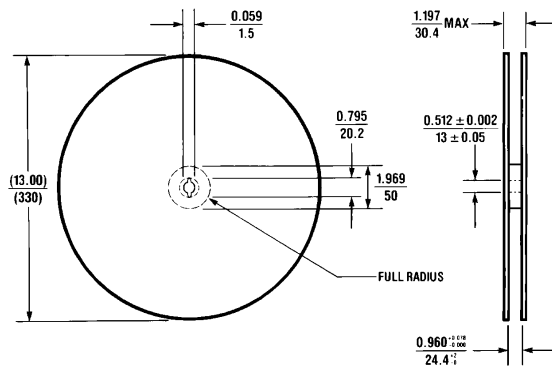
Tape Section	# Cavities	Cavity Status	Cover Tape Status
Leader (Start End)	5 (min)	Empty	Unsealed
	5 (min)	Empty	Sealed
Carrier	1000	Filled	Sealed
Trailer (Hub End)	2 (min)	Empty	Sealed
	2 (min)	Empty	Unsealed

TAPE DIMENSIONS



TL/HH/8352-18

REEL DIMENSIONS



TL/HH/8352-19

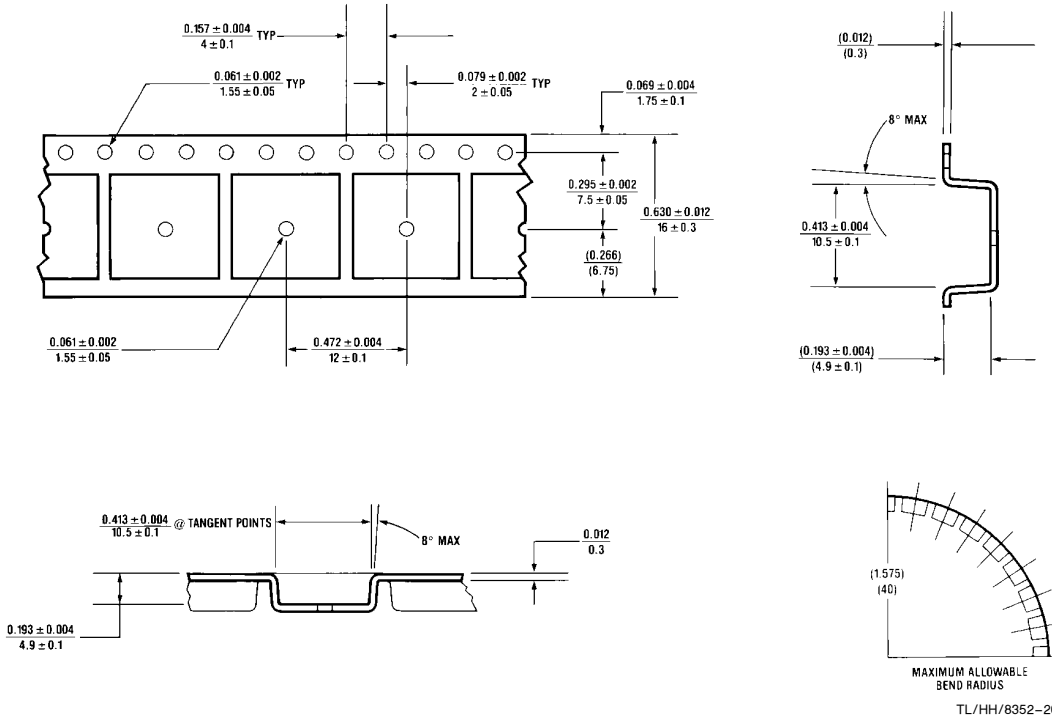
PLCC-20

TAPE FORMAT

Direction
of
Feed
↑

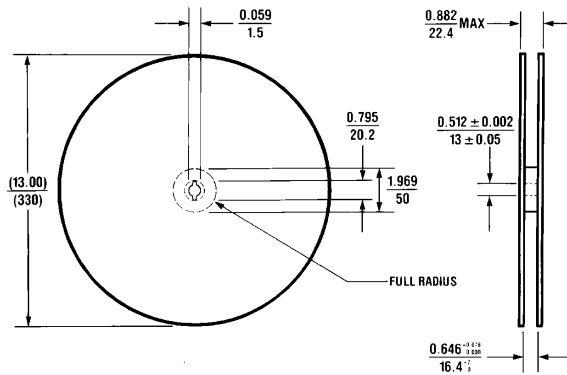
Tape Section	# Cavities	Cavity Status	Cover Tape Status
Leader (Start End)	5 (min)	Empty	Unsealed
	5 (min)	Empty	Sealed
Carrier	1000	Filled	Sealed
Trailer (Hub End)	2 (min)	Empty	Sealed
	2 (min)	Empty	Unsealed

TAPE DIMENSIONS



TL/HH/8352-20

REEL DIMENSIONS



TL/HH/8352-21

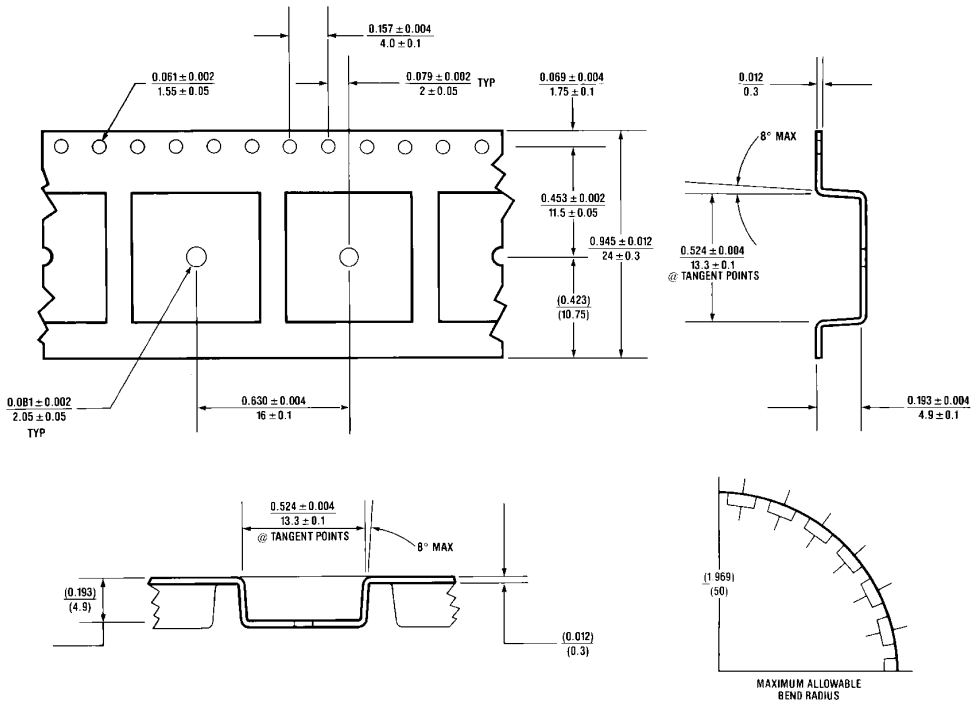
PLCC-28

TAPE FORMAT

Direction of Feed ↑

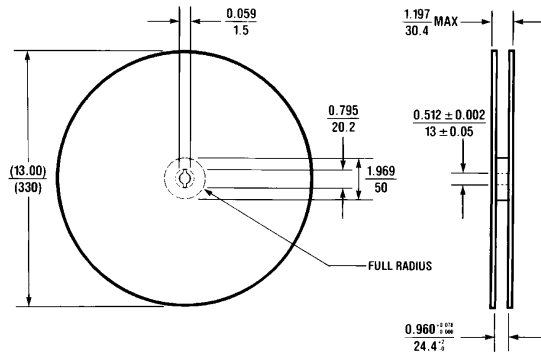
Tape Section	# Cavities	Cavity Status	Cover Tape Status
Leader (Start End)	5 (min)	Empty	Unsealed
	5 (min)	Empty	Sealed
Carrier	750	Filled	Sealed
Trailer (Hub End)	2 (min)	Empty	Sealed
	2 (min)	Empty	Unsealed

TAPE DIMENSIONS



TL/HH/8352-22

REEL DIMENSIONS



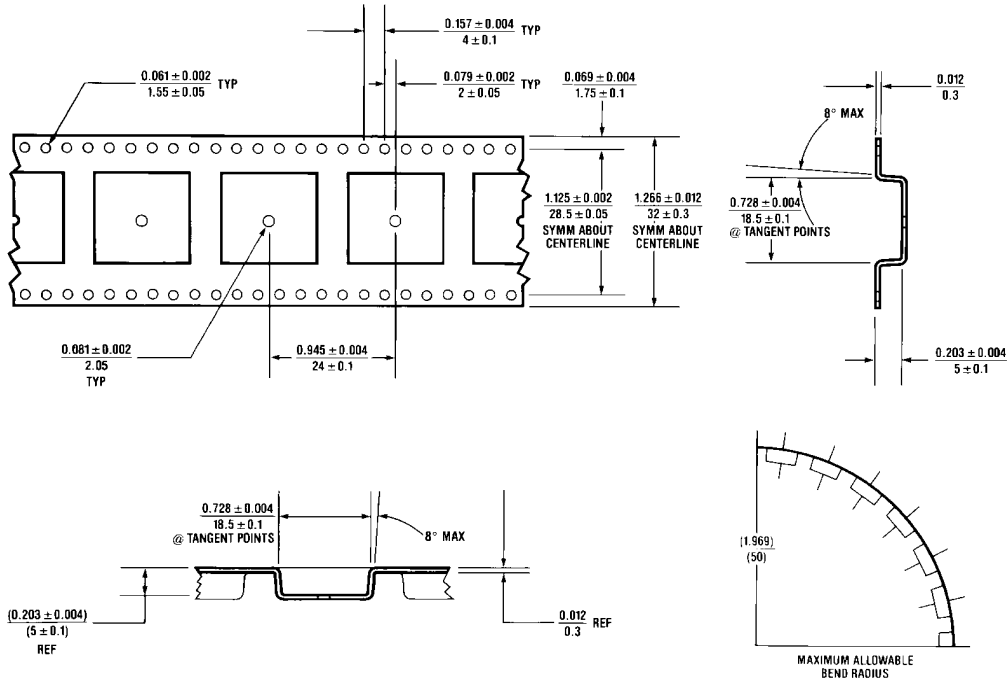
TL/HH/8352-23

PLCC-44

Direction
of
Feed ↑

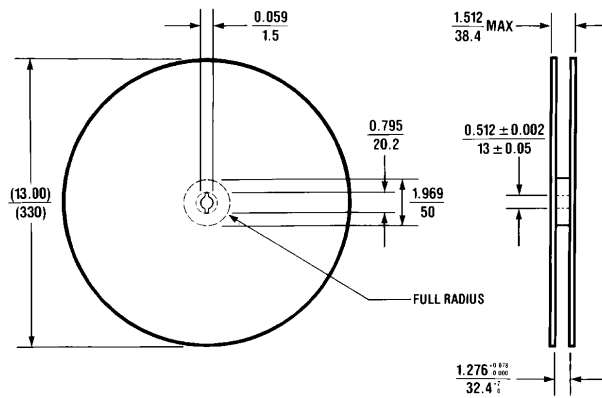
Tape Section	# Cavities	Cavity Status	Cover Tape Status
Leader (Start End)	5 (min)	Empty	Unsealed
	5 (min)	Empty	Sealed
Carrier	500	Filled	Sealed
Trailer (Hub End)	2 (min)	Empty	Sealed
	2 (min)	Empty	Unsealed

TAPE DIMENSIONS



TL/HH/8352-24

REEL DIMENSIONS



TL/HH/8352-25

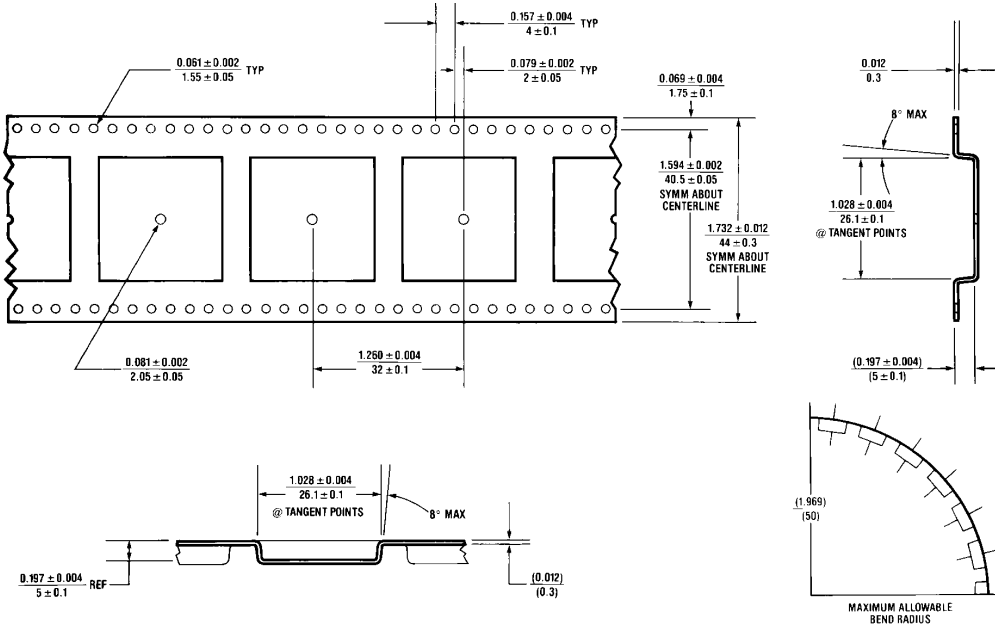
PLCC-68

TAPE FORMAT

Direction of Feed ↑

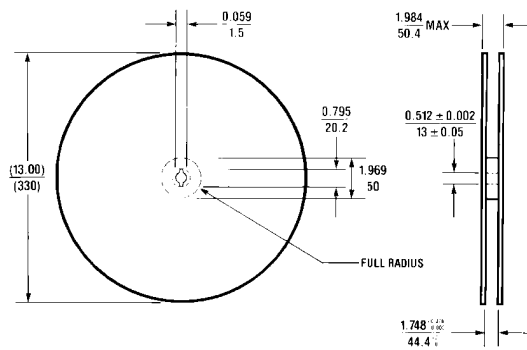
Tape Section	# Cavities	Cavity Status	Cover Tape Status
Leader (Start End)	5 (min)	Empty	Unsealed
	5 (min)	Empty	Sealed
Carrier	250	Filled	Sealed
Trailer (Hub End)	2 (min)	Empty	Sealed
	2 (min)	Empty	Unsealed

TAPE DIMENSIONS



TL/HH/8352-26

REEL DIMENSIONS



TL/HH/8352-27

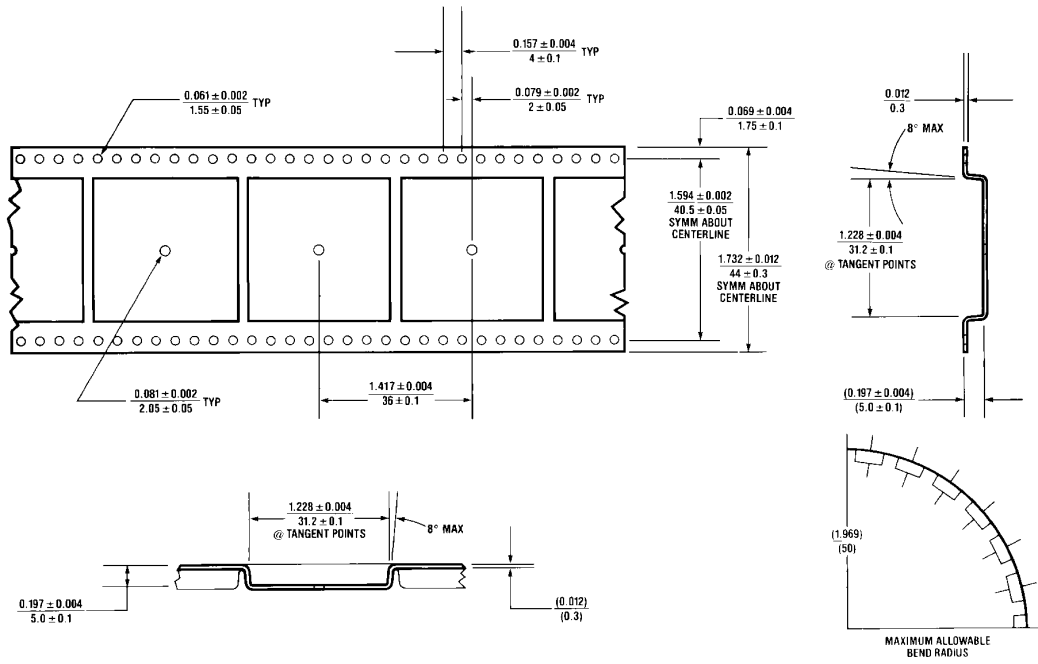
PLCC-84

TAPE FORMAT

Direction
of
Feed ↑

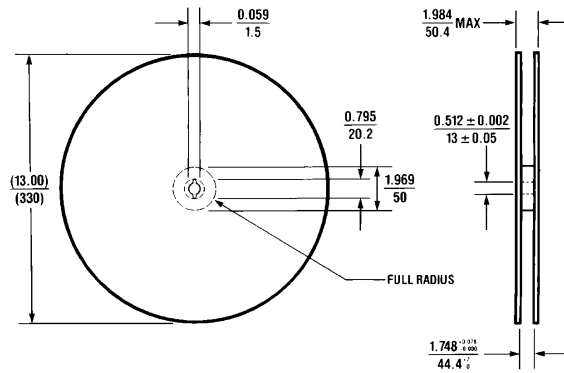
Tape Section	# Cavities	Cavity Status	Cover Tape Status
Leader (Start End)	5 (min)	Empty	Unsealed
	5 (min)	Empty	Sealed
Carrier	250	Filled	Sealed
Trailer (Hub End)	2 (min)	Empty	Sealed
	2 (min)	Empty	Unsealed

TAPE DIMENSIONS



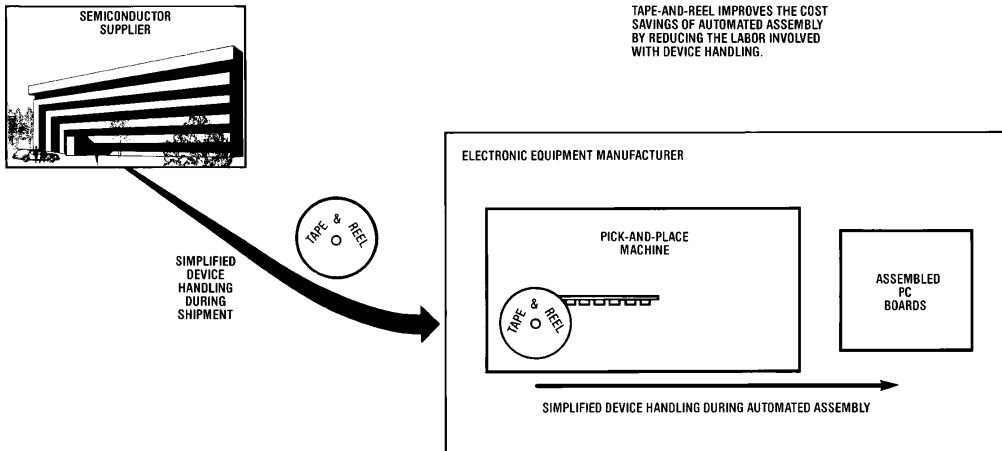
TL/HH/8352-28

REEL DIMENSIONS



TL/HH/8352-29

Application—Total System Saving



TL/HH/8352-32

Cost pressures today are forcing many electronics manufacturers to automate their production lines. Surface mount technology plays a key role in this cost-savings trend because:

1. The mounting of devices on the PC board surface eliminates the expense of drilling holes;
2. The use of pick-and-place machines to assemble the PC boards greatly reduces labor costs;
3. The lighter and more compact assembled products resulting from the smaller dimensions of surface mount packages mean lower material costs.

Production processes now permit both surface mount and insertion mount components to be assembled on the same PC board.

Automated manufacturers can improve their cost savings by using Tape-and-Reel for surface mount devices. Simplified handling results because hundreds-to-thousands of semiconductors are carried on a single Tape-and-Reel pack (see the "Ordering Information" section for the exact quantities). With this higher device count per reel (when compared with less than 100 devices per rail), pick-and-place machines have to be re-loaded less frequently and lower labor costs result.

With Tape-and-Reel, manufacturers save twice—once from using surface mount technology for automated PC board assembly and again from less device handling during shipment and machine set-up.

Ordering Information

When you order a surface mount semiconductor, it will be in one of the 15 available surface mount package types (see Appendix II for the physical dimensions of the surface

mount packages). Specifying the Tape-and-Reel method of shipment (Note 1) means that you will receive your devices in the following quantities per Tape-and-Reel pack:

		Device Quantity	
Small Outline Transistor	SOT-23 (High Profile) (Note 2)	10000	2500*
	SOT-23 (Low Profile) (Note 2)	10000	3000*
Small Outline IC	SO-8 (Narrow)	2500	
	SO-14 (Narrow)	2500	
	SO-14 (Wide)	1000	
	SO-16 (Narrow)	2500	
	SO-16 (Wide)	1000	
	SO-20 (Wide)	1000	
	SO-24 (Wide)	1000	
Plastic Chip Carrier IC	PLCC-20	1000	
	PLCC-28	750	
	PLCC-44	500	
	PLCC-68	250	
	PLCC-84	250	

*This denotes 7" reel quantity availability.

Note 1: For small outline transistors, your order will automatically be shipped in Tape-and-Reel unless you indicate otherwise. For surface mount integrated circuits, your order will automatically be shipped in conductive rails unless you indicate "Tape-and-Reel" after the device description on your purchase order.

Note 2: Your SOT-23 devices will automatically have Option 1 orientation unless you indicate "Option 2 Orientation" after the device description on your purchase order (see "Tape-and-Reel Overview" for definition of SOT-23 orientations). In addition, your SOT-23 devices will automatically have the high-profile outline unless you indicate "Low-Profile Outline" after the device description on your purchase order (see "Appendix II—Physical Dimensions of Surface Mount Package" for definition of SOT-23 outlines).

Example: You order 5,000 LM324M ICs shipped in Tape-and-Reel.

- All 5,000 devices have the same date code
- You receive 2 SO-14 (Narrow) Tape-and-Reel packs, each having 2500 LM324M ICs

Appendix I—Short-Form Procurement Specification

TAPE FORMAT

→ Direction of Feed

	Trailer (Hub End)		Carrier		Leader (Start End)	
	Empty Cavities, min (Unsealed Cover Tape)	Empty Cavities, min (Sealed Cover Tape)	Filled Cavities (Sealed Cover Tape)		Empty Cavities, min Sealed Cover Tape)	Empty Cavities, min (Unsealed Cover Tape)

SMALL OUTLINE TRANSISTOR

SOT-23 (High Profile)	2	2	10000	2500*	5	5
SOT-23 (Low Profile)	2	2	10000	3000*	5	5

SMALL OUTLINE IC

SO-8 (Narrow)	2	2	2500		5	5
SO-14 (Narrow)	2	2	2500		5	5
SO-14 (Wide)	2	2	1000		5	5
SO-16 (Narrow)	2	2	2500		5	5
SO-16 (Wide)	2	2	1000		5	5
SO-20 (Wide)	2	2	1000		5	5
SO-24 (Wide)	2	2	1000		5	5

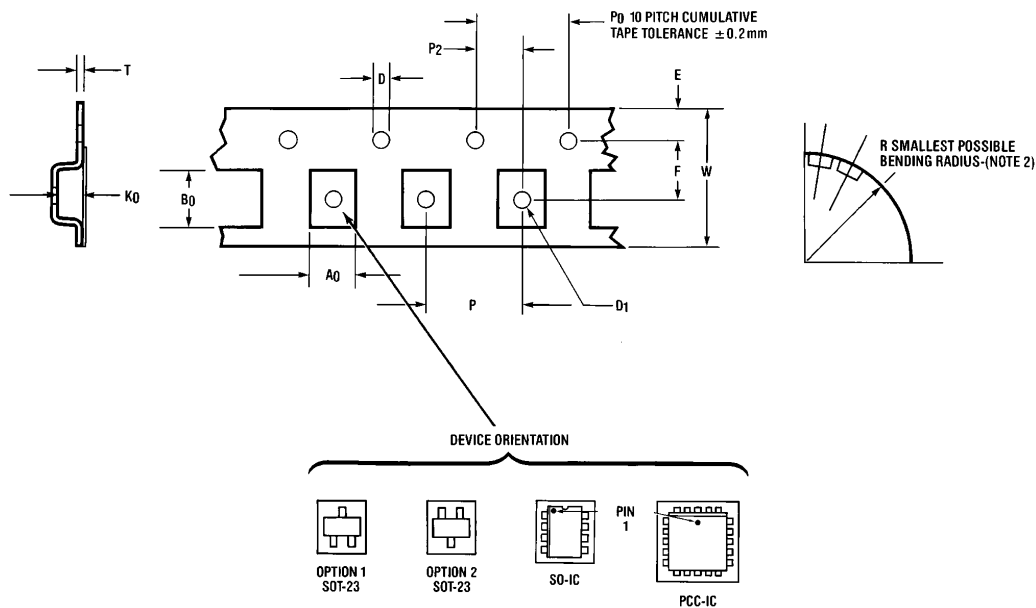
PLASTIC CHIP CARRIER IC

PLCC-20	2	2	1000		5	5
PLCC-28	2	2	750		5	5
PLCC-44	2	2	500		5	5
PLCC-68	2	2	250		5	5
PLCC-84	2	2	250		5	5

*This denotes 7" reel quantity availability.

Appendix I—Short-Form Procurement Specification (Continued)

TAPE DIMENSIONS (24 Millimeter Tape or Less)



TL/HH/8352-33

	W	P	F	E	P ₂	P ₀	D	T	A ₀	B ₀	K ₀	D ₁	R
SMALL OUTLINE TRANSISTOR													
SOT-23 (High Profile)	8 ± .30	4.0 ± .10	3.5 ± .05	1.75 ± .10	2.0 ± .05	4.0 ± .10	1.55 ± .05	.30 ± .10	3.15 ± .05	2.55 ± .05	1.20 ± .05	1.05 ± .05	25
SOT-23 (Low Profile)	8 ± .30	4.0 ± .10	3.5 ± .05	1.75 ± .10	2.0 ± .05	4.0 ± .10	1.55 ± .05	.30 ± .10	3.15 ± .05	2.55 ± .05	1.20 ± .05	1.05 ± .05	25
SMALL OUTLINE IC													
SO-8 (Narrow)	12 ± .30	8.0 ± .10	5.5 ± .05	1.75 ± .10	2.0 ± .05	4.0 ± .10	1.55 ± .05	.30 ± .10	6.4 ± .10	5.2 ± .10	2.1 ± .10	1.55 ± .05	30
SO-14 (Narrow)	16 ± .30	8.0 ± .10	7.5 ± .10	1.75 ± .10	2.0 ± .05	4.0 ± .10	1.55 ± .05	.30 ± .10	6.5 ± .10	9.0 ± .10	2.1 ± .10	1.55 ± .05	40
SO-14 (Wide)	16 ± .30	12.0 ± .10	7.5 ± .10	1.75 ± .10	2.0 ± .05	4.0 ± .10	1.55 ± .05	.30 ± .10	10.9 ± .10	9.5 ± .10	3.0 ± .10	1.55 ± .05	40
SO-16 (Narrow)	16 ± .30	8.0 ± .10	7.5 ± .10	1.75 ± .10	2.0 ± .05	4.0 ± .10	1.55 ± .05	.30 ± .10	6.5 ± .10	10.3 ± .10	2.1 ± .10	1.55 ± .05	40
SO-16 (Wide)	16 ± .30	12.0 ± .10	5.5 ± .10	1.75 ± .10	2.0 ± .05	4.0 ± .10	1.55 ± .05	.30 ± .10	10.9 ± .10	10.76 ± .10	3.0 ± .10	1.55 ± .05	40
SO-20 (Wide)	24 ± .30	12.0 ± .10	11.5 ± .10	1.75 ± .10	2.0 ± .05	4.0 ± .10	1.55 ± .05	.30 ± .10	10.9 ± .10	13.3 ± .10	3.0 ± .10	2.05 ± .05	50
SO-24 (Wide)	24 ± .30	12.0 ± .10	11.5 ± .10	1.75 ± .10	2.0 ± .05	4.0 ± .10	1.55 ± .05	.30 ± .10	10.9 ± .10	15.85 ± .10	3.0 ± .10	2.05 ± .05	50
PLASTIC CHIP CARRIER IC													
PLCC-20	16 ± .30	12.0 ± .10	7.5 ± .10	1.75 ± .10	2.0 ± .05	4.0 ± .10	1.55 ± .05	.30 ± .10	9.3 ± .10	9.3 ± .10	4.9 ± .10	1.55 ± .05	40
PLCC-28	24 ± .30	16.0 ± .10	11.5 ± .10	1.75 ± .10	2.0 ± .05	4.0 ± .10	1.55 ± .05	.30 ± .10	13.0 ± .10	13.0 ± .10	4.9 ± .10	2.05 ± .05	50

Note 1: A₀, B₀ and K₀ dimensions are measured 0.3 mm above the inside wall of the cavity bottom.

Note 2: Tape with components shall pass around a mandril radius R without damage.

Note 3: Cavity tape material shall be PVC conductive (less than 10⁵ Ω/Sq).

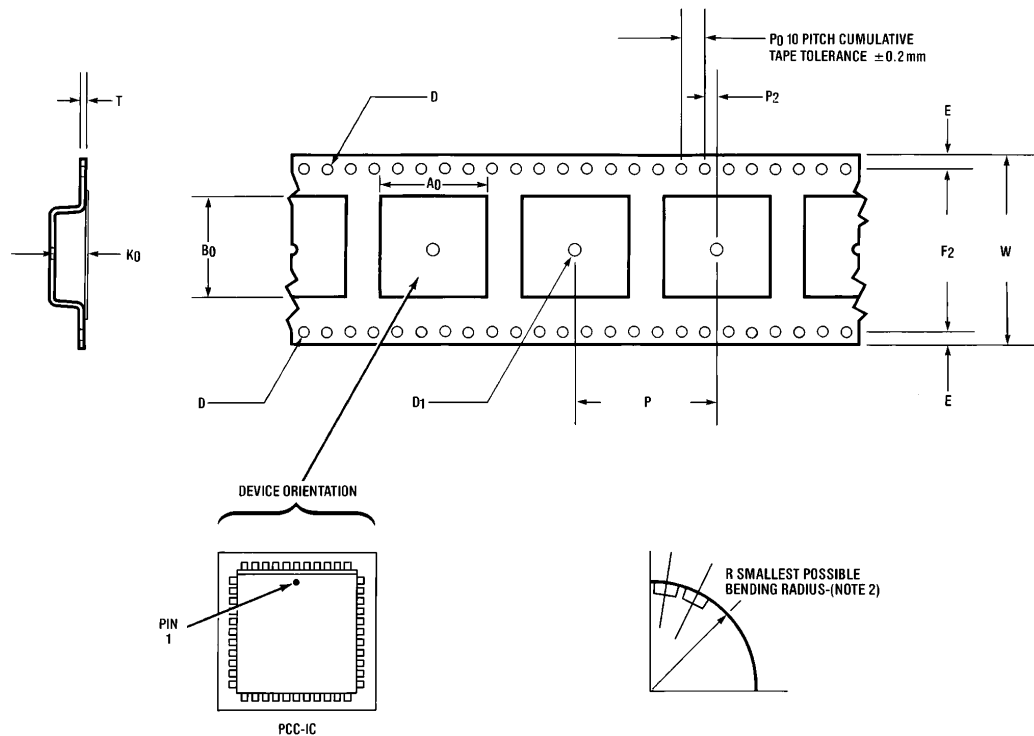
Note 4: Cover tape material shall be polyester (30–65 grams peel-back force).

Note 5: D₁ Dimension is centered within cavity.

Note 6: All dimensions are in millimeters.

Appendix I—Short-Form Procurement Specification (Continued)

TAPE DIMENSIONS (32 Millimeter Tape or Greater)



TL/HH/8352-34

	W	P	F ₂	E	P ₂	P ₀	D	T	A ₀	B ₀	K ₀	D ₁	R
--	---	---	----------------	---	----------------	----------------	---	---	----------------	----------------	----------------	----------------	---

PLASTIC CHIP CARRIER IC

PLCC-44	32 ± .3	24.0 ± .1	14.25 ± .1	1.75 ± .1	2.0 ± .05	4.0 ± .1	1.55 ± .05	.30 ± .1	18.0 ± .1	18.0 ± .1	5.0 ± .1	2.05 ± .05	50
PLCC-68	44.3 ± .3	32.0 ± .1	20.25 ± .1	1.75 ± .1	2.0 ± .05	4.0 ± .1	1.55 ± .05	.30 ± .1	25.6 ± .1	25.6 ± .1	5.0 ± .1	2.05 ± .05	50
PLCC-84	44.3 ± .3	36.0 ± .1	20.25 ± .1	1.75 ± .1	2.0 ± .05	4.0 ± .1	1.55 ± .05	.30 ± .1	30.7 ± .1	30.7 ± .1	5.0 ± .1	2.05 ± .05	50

Note 1: A₀, B₀ and K₀ dimensions are measured 0.3 mm above the inside wall of the cavity bottom.

Note 2: Tape with components shall pass around a mandril radius R without damage.

Note 3: Cavity tape material shall be PVC conductive (less than 10⁵ Ω/Sq).

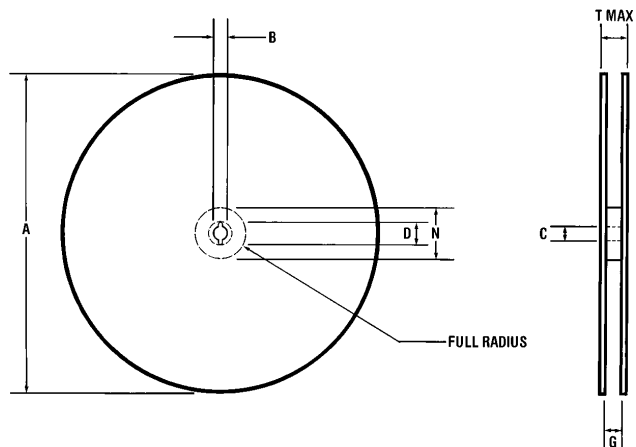
Note 4: Cover tape material shall be polyester (30-65 grams peel-back force).

Note 5: D₁ Dimension is centered within cavity.

Note 6: All dimensions are in millimeters.

Appendix I—Short-Form Procurement Specification (Continued)

REEL DIMENSIONS



TL/HH/8352-35

		A (Max)	B (Min)	C	D (Min)	N (Min)	G	T (Max)
8 mm Tape	SOT-23 (High Profile)	$\frac{(13.00)}{(330)}$	$\frac{0.059}{1.5}$	$\frac{0.512 \pm 0.002}{13 \pm 0.05}$	$\frac{0.795}{20.2}$	$\frac{1.969}{50}$	$\frac{0.331}{8.4} \begin{smallmatrix} +0.059 \\ -0.000 \\ +1.5 \\ -0 \end{smallmatrix}$	$\frac{0.567}{14.4}$
	SOT-23 (Low Profile)							
12 mm Tape	SO-8 (Narrow)	$\frac{(13.00)}{(330)}$	$\frac{0.059}{1.5}$	$\frac{0.512 \pm 0.002}{13 \pm 0.05}$	$\frac{0.795}{20.2}$	$\frac{1.969}{50}$	$\frac{0.488}{12.4} \begin{smallmatrix} +0.078 \\ -0.000 \\ +2 \\ -0 \end{smallmatrix}$	$\frac{0.724}{18.4}$
16 mm Tape	SO-14 (Narrow)	$\frac{(13.00)}{(330)}$	$\frac{0.059}{1.5}$	$\frac{0.512 \pm 0.002}{13 \pm 0.05}$	$\frac{0.795}{20.2}$	$\frac{1.969}{50}$	$\frac{0.646}{16.4} \begin{smallmatrix} +0.078 \\ -0.000 \\ +2 \\ -0 \end{smallmatrix}$	$\frac{0.882}{22.4}$
	SO-14 (Wide)							
	SO-16 (Narrow)							
	SO-16 (Wide) PLCC-20							
24 mm Tape	SO-20 (Wide)	$\frac{(13.00)}{(330)}$	$\frac{0.059}{1.5}$	$\frac{0.512 \pm 0.002}{13 \pm 0.05}$	$\frac{0.795}{20.2}$	$\frac{1.969}{50}$	$\frac{0.960}{24.4} \begin{smallmatrix} +0.078 \\ -0.000 \\ +2 \\ -0 \end{smallmatrix}$	$\frac{1.197}{30.4}$
	SO-24 (Wide) PLCC-28							
32 mm Tape	PLCC-44	$\frac{(13.00)}{(330)}$	$\frac{0.059}{1.5}$	$\frac{0.512 \pm 0.002}{13 \pm 0.05}$	$\frac{0.795}{20.2}$	$\frac{1.969}{50}$	$\frac{1.276}{32.4} \begin{smallmatrix} +0.078 \\ -0.000 \\ +2 \\ -0 \end{smallmatrix}$	$\frac{1.512}{38.4}$
44 mm Tape	PLCC-68	$\frac{(13.00)}{(330)}$	$\frac{0.059}{1.5}$	$\frac{0.512 \pm 0.002}{13 \pm 0.05}$	$\frac{0.795}{20.2}$	$\frac{1.969}{50}$	$\frac{1.748}{44.4} \begin{smallmatrix} +0.078 \\ -0.000 \\ +2 \\ -0 \end{smallmatrix}$	$\frac{1.984}{50.4}$
	PLCC-84							

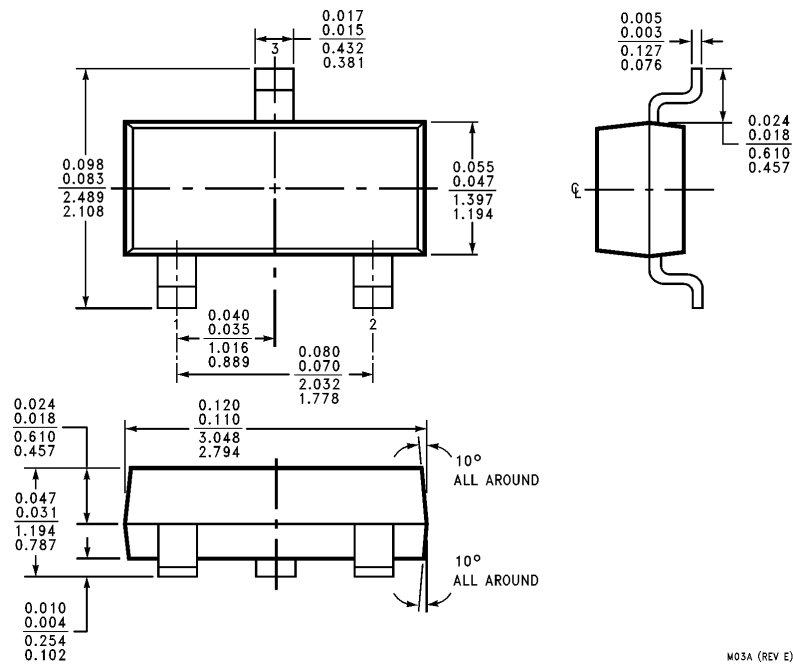
Units: $\frac{\text{Inches}}{\text{Millimeters}}$

Material: Paperboard (Non-Flaking)

Appendix II—Physical Dimensions of Surface Mount Packages

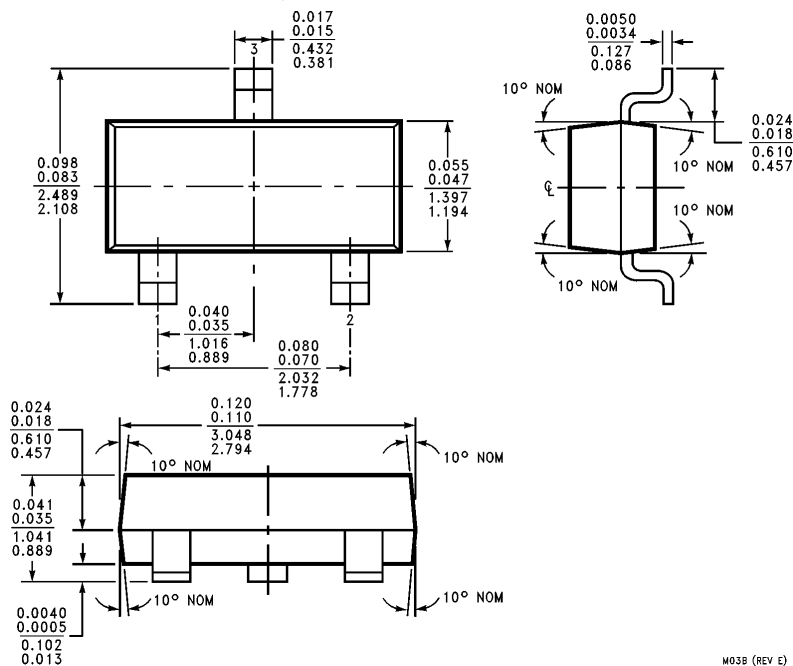
SOT-23 (High Profile)

(Generally used for Top-of-Board Mounting)



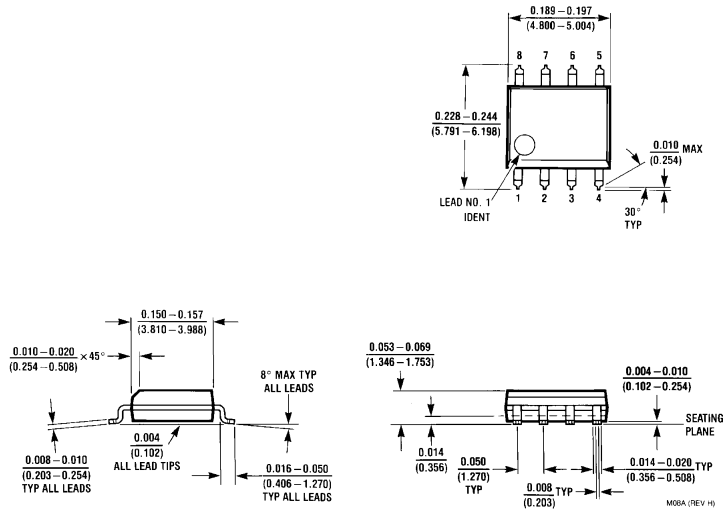
SOT-23 (Low Profile)

(Generally used for Underside-of-Board Mounting)

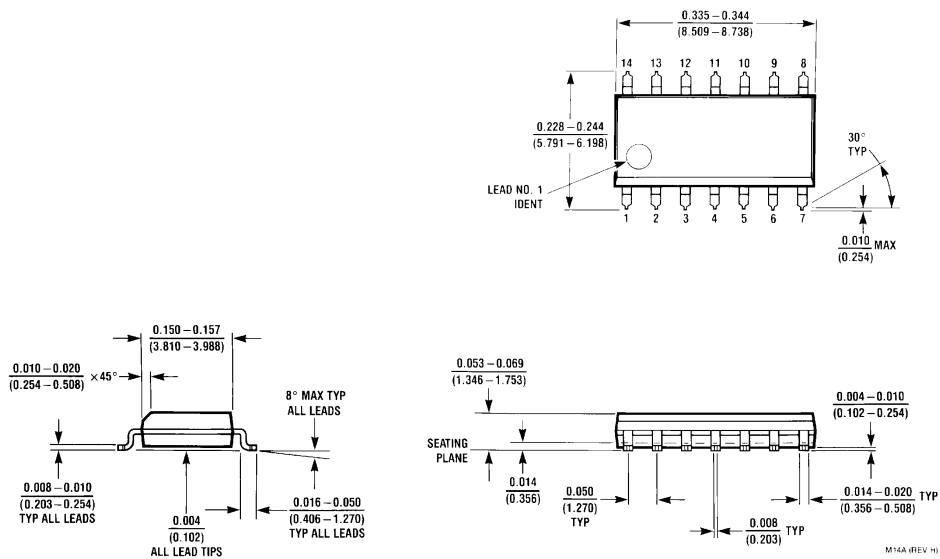


Appendix II—Physical Dimensions of Surface Mount Packages (Continued)

SO-8 (Narrow)

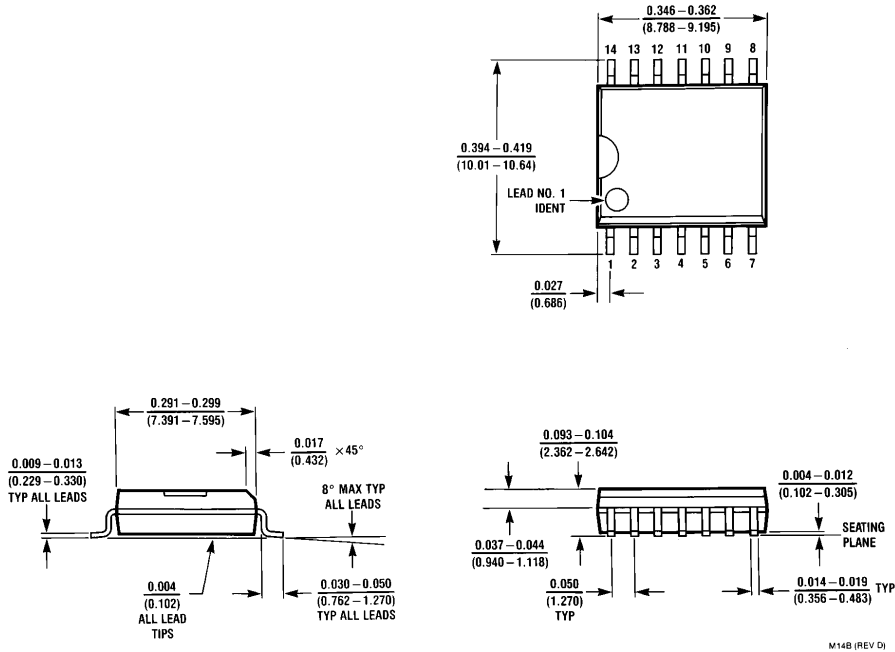


SO-14 (Narrow)

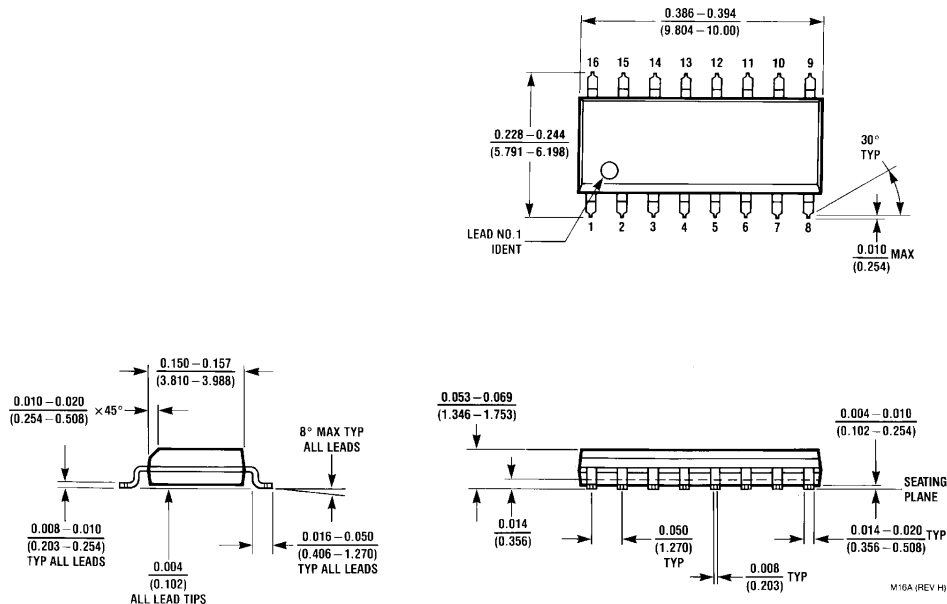


Appendix II—Physical Dimensions of Surface Mount Packages (Continued)

SO-14 (Wide)

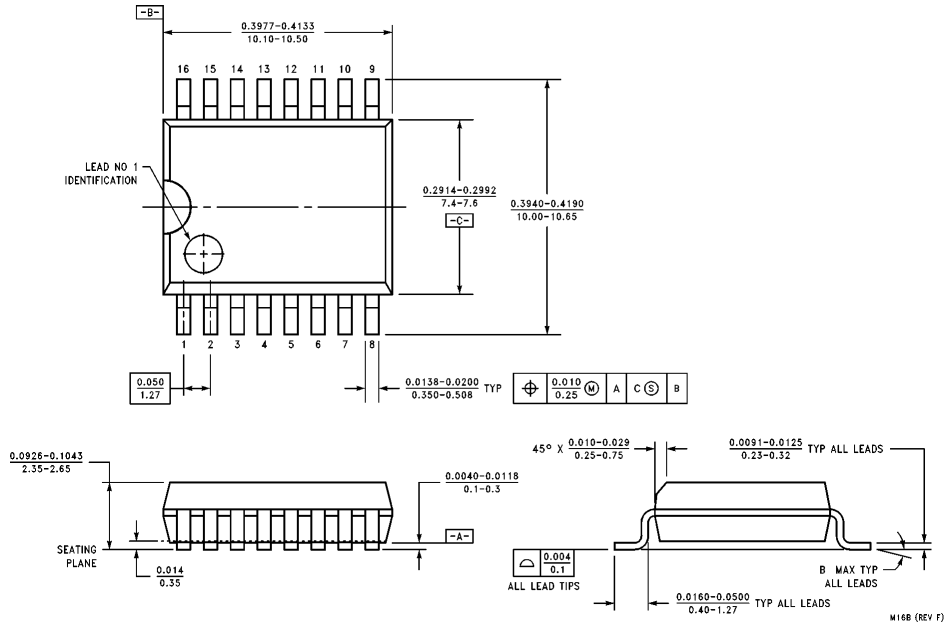


SO-16 (Narrow)

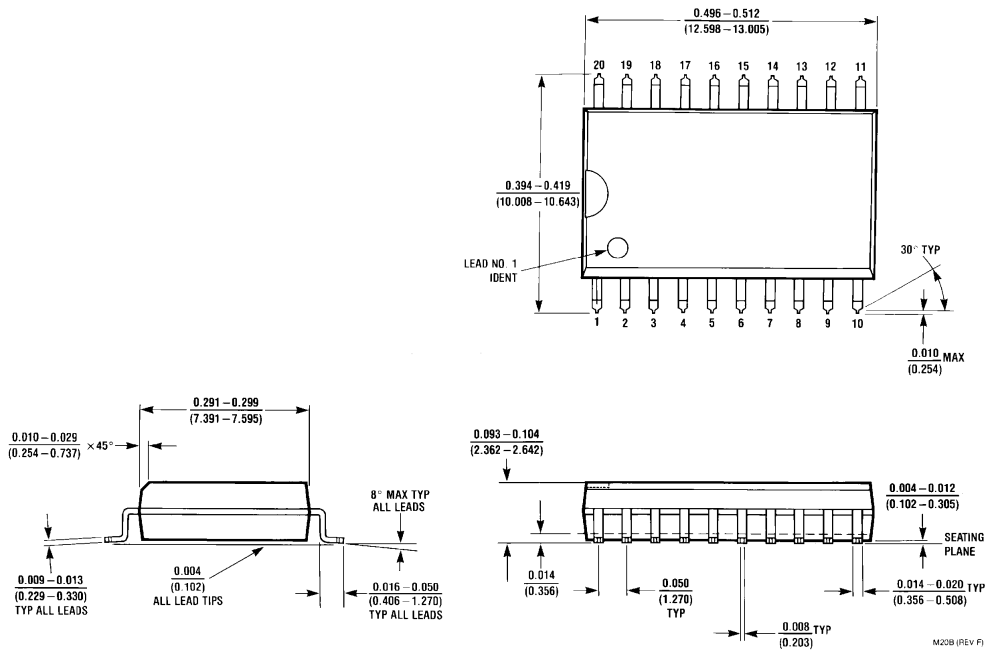


Appendix II—Physical Dimensions of Surface Mount Packages (Continued)

SO-16 (Wide)

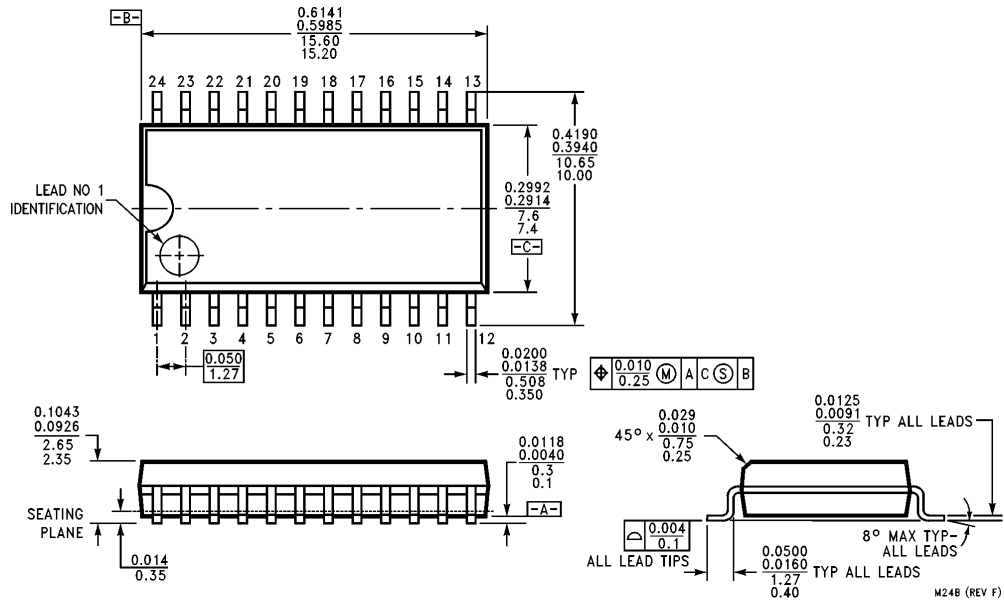


SO-20 (Wide)

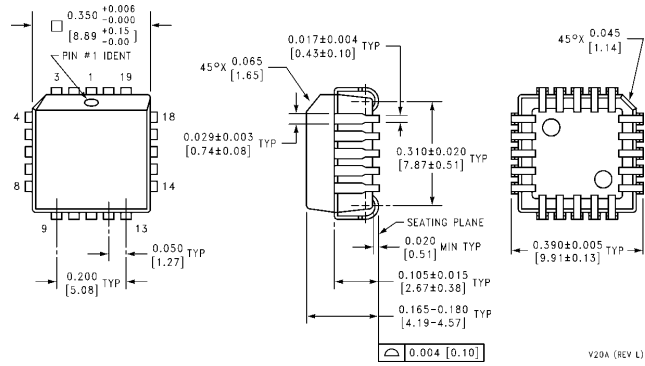


Appendix II—Physical Dimensions of Surface Mount Packages (Continued)

SO-24 (Wide)

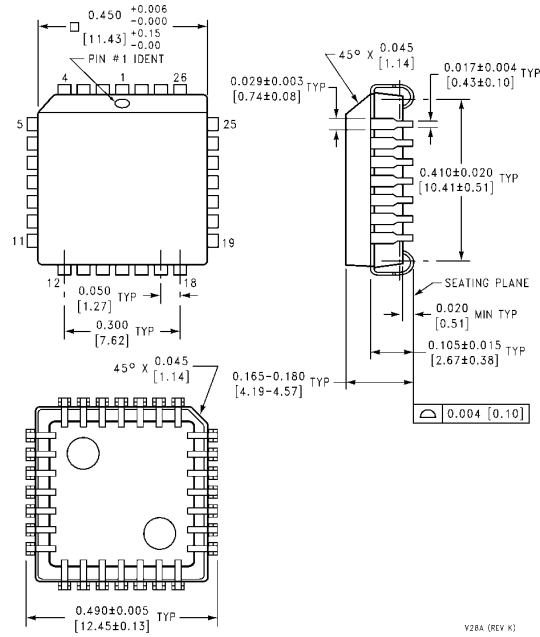


PLCC-20



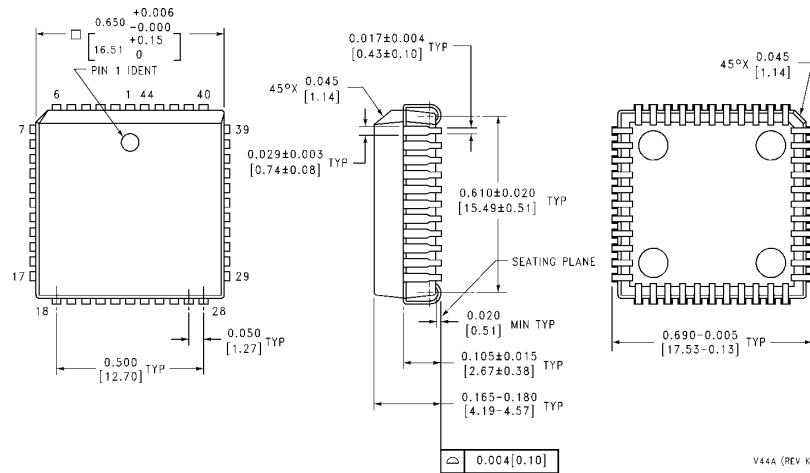
Appendix II—Physical Dimensions of Surface Mount Packages (Continued)

PLCC-28



V28A (REV K)

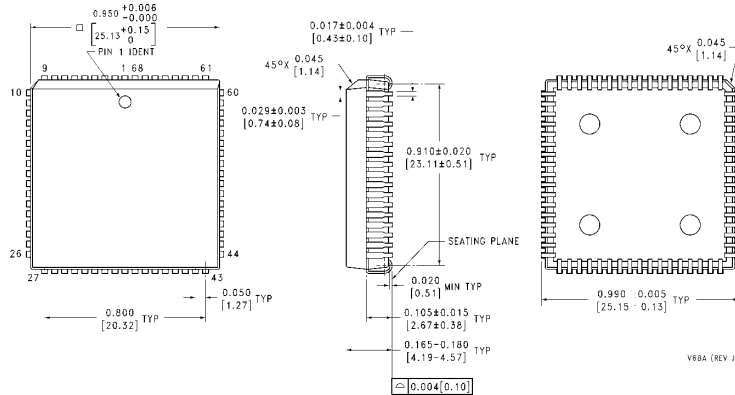
PLCC-44



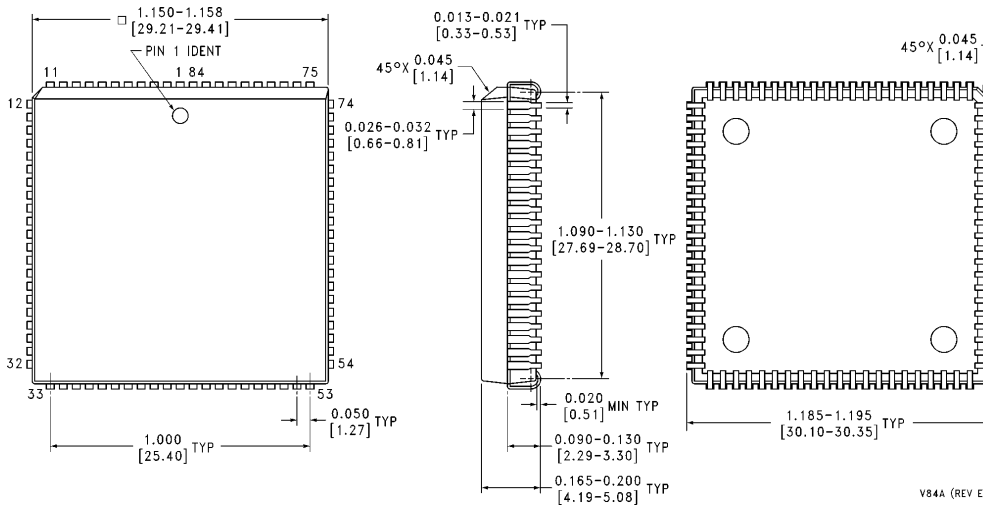
V44A (REV K)

Appendix II—Physical Dimensions of Surface Mount Packages (Continued)

PLCC-68



PLCC-84



Lit. # 113635

LIFE SUPPORT POLICY

NATIONAL'S PRODUCTS ARE NOT AUTHORIZED FOR USE AS CRITICAL COMPONENTS IN LIFE SUPPORT DEVICES OR SYSTEMS WITHOUT THE EXPRESS WRITTEN APPROVAL OF THE PRESIDENT OF NATIONAL SEMICONDUCTOR CORPORATION. As used herein:

1. Life support devices or systems are devices or systems which, (a) are intended for surgical implant into the body, or (b) support or sustain life, and whose failure to perform, when properly used in accordance with instructions for use provided in the labeling, can be reasonably expected to result in a significant injury to the user.
2. A critical component is any component of a life support device or system whose failure to perform can be reasonably expected to cause the failure of the life support device or system, or to affect its safety or effectiveness.

 <p>National Semiconductor Corporation 1111 West Bardin Road Arlington, TX 76017 Tel: 1(800) 272-9959 Fax: 1(800) 737-7018</p>	<p>National Semiconductor Europe Fax: (+49) 0-180-530 85 86 Email: cnjwge@tevm2.nsc.com Deutsch Tel: (+49) 0-180-530 85 85 English Tel: (+49) 0-180-532 78 32 Français Tel: (+49) 0-180-532 93 58 Italiano Tel: (+49) 0-180-534 16 80</p>	<p>National Semiconductor Hong Kong Ltd. 19th Floor, Straight Block, Ocean Centre, 5 Canton Rd. Tsimshatsui, Kowloon Hong Kong Tel: (852) 2737-1600 Fax: (852) 2736-9960</p>	<p>National Semiconductor Japan Ltd. Tel: 81-043-299-2309 Fax: 81-043-299-2408</p>
--	--	---	---

National does not assume any responsibility for use of any circuitry described, no circuit patent licenses are implied and National reserves the right at any time without notice to change said circuitry and specifications.

IMPORTANT NOTICE

Texas Instruments Incorporated and its subsidiaries (TI) reserve the right to make corrections, modifications, enhancements, improvements, and other changes to its products and services at any time and to discontinue any product or service without notice. Customers should obtain the latest relevant information before placing orders and should verify that such information is current and complete. All products are sold subject to TI's terms and conditions of sale supplied at the time of order acknowledgment.

TI warrants performance of its hardware products to the specifications applicable at the time of sale in accordance with TI's standard warranty. Testing and other quality control techniques are used to the extent TI deems necessary to support this warranty. Except where mandated by government requirements, testing of all parameters of each product is not necessarily performed.

TI assumes no liability for applications assistance or customer product design. Customers are responsible for their products and applications using TI components. To minimize the risks associated with customer products and applications, customers should provide adequate design and operating safeguards.

TI does not warrant or represent that any license, either express or implied, is granted under any TI patent right, copyright, mask work right, or other TI intellectual property right relating to any combination, machine, or process in which TI products or services are used. Information published by TI regarding third-party products or services does not constitute a license from TI to use such products or services or a warranty or endorsement thereof. Use of such information may require a license from a third party under the patents or other intellectual property of the third party, or a license from TI under the patents or other intellectual property of TI.

Reproduction of TI information in TI data books or data sheets is permissible only if reproduction is without alteration and is accompanied by all associated warranties, conditions, limitations, and notices. Reproduction of this information with alteration is an unfair and deceptive business practice. TI is not responsible or liable for such altered documentation. Information of third parties may be subject to additional restrictions.

Resale of TI products or services with statements different from or beyond the parameters stated by TI for that product or service voids all express and any implied warranties for the associated TI product or service and is an unfair and deceptive business practice. TI is not responsible or liable for any such statements.

TI products are not authorized for use in safety-critical applications (such as life support) where a failure of the TI product would reasonably be expected to cause severe personal injury or death, unless officers of the parties have executed an agreement specifically governing such use. Buyers represent that they have all necessary expertise in the safety and regulatory ramifications of their applications, and acknowledge and agree that they are solely responsible for all legal, regulatory and safety-related requirements concerning their products and any use of TI products in such safety-critical applications, notwithstanding any applications-related information or support that may be provided by TI. Further, Buyers must fully indemnify TI and its representatives against any damages arising out of the use of TI products in such safety-critical applications.

TI products are neither designed nor intended for use in military/aerospace applications or environments unless the TI products are specifically designated by TI as military-grade or "enhanced plastic." Only products designated by TI as military-grade meet military specifications. Buyers acknowledge and agree that any such use of TI products which TI has not designated as military-grade is solely at the Buyer's risk, and that they are solely responsible for compliance with all legal and regulatory requirements in connection with such use.

TI products are neither designed nor intended for use in automotive applications or environments unless the specific TI products are designated by TI as compliant with ISO/TS 16949 requirements. Buyers acknowledge and agree that, if they use any non-designated products in automotive applications, TI will not be responsible for any failure to meet such requirements.

Following are URLs where you can obtain information on other Texas Instruments products and application solutions:

Products

Audio	www.ti.com/audio
Amplifiers	amplifier.ti.com
Data Converters	dataconverter.ti.com
DLP® Products	www.dlp.com
DSP	dsp.ti.com
Clocks and Timers	www.ti.com/clocks
Interface	interface.ti.com
Logic	logic.ti.com
Power Mgmt	power.ti.com
Microcontrollers	microcontroller.ti.com
RFID	www.ti-rfid.com
OMAP Mobile Processors	www.ti.com/omap
Wireless Connectivity	www.ti.com/wirelessconnectivity

Applications

Communications and Telecom	www.ti.com/communications
Computers and Peripherals	www.ti.com/computers
Consumer Electronics	www.ti.com/consumer-apps
Energy and Lighting	www.ti.com/energy
Industrial	www.ti.com/industrial
Medical	www.ti.com/medical
Security	www.ti.com/security
Space, Avionics and Defense	www.ti.com/space-avionics-defense
Transportation and Automotive	www.ti.com/automotive
Video and Imaging	www.ti.com/video

TI E2E Community Home Page

e2e.ti.com

Mailing Address: Texas Instruments, Post Office Box 655303, Dallas, Texas 75265
Copyright © 2011, Texas Instruments Incorporated