

# SN54LS592, SN54LS593, SN74LS592, SN74LS593 8-BIT BINARY COUNTERS WITH INPUT REGISTERS

SDLS004

D2633, JANUARY 1981 — REVISED MARCH 1988

- Parallel Register Inputs ('LS592)
- Parallel 3-State I/O: Register Inputs/Counter Outputs ('LS593)
- Counter has Direct Overriding Load and Clear
- Accurate Counter Frequency: DC to 20 MHz

## description

The 'LS592 comes in a 16-pin package and consists of a parallel input, 8-bit storage register feeding an 8-bit binary counter. Both the register and the counter have individual positive-edge-triggered clocks. In addition, the counter has direct load and clear functions. A low-going  $\overline{RCO}$  pulse will be obtained when the counter reaches the hex word FF. Expansion is easily accomplished for two stages by connecting  $\overline{RCO}$  of the first stage to  $\overline{CCKEN}$  of the second stage. Cascading for larger count chains can be accomplished by connecting  $\overline{RCO}$  of each stage to CCK of the following stage.

The 'LS593 comes in a 20-pin package and has all the features of the 'LS592 plus 3-state I/O, which provides parallel counter outputs. The tables below show the operation of the enable (CCKEN,  $\overline{CCKEN}$ ) inputs. A register clock enable (RCKEN) is also provided.

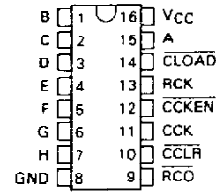
### OUTPUT ENABLE CONTROL ('593 ONLY)

G	$\overline{G}$	A/Q <sub>A</sub> thru H/Q <sub>H</sub>
L	L	input mode
L	H	input mode
H	L	output mode
H	H	input mode

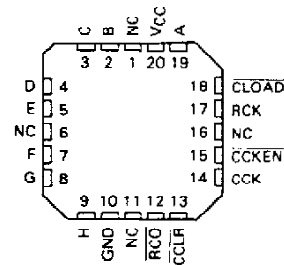
### COUNTER CLOCK ENABLE CONTROL

CCKEN	$\overline{CCKEN}$	EFFECT ON CCK
L	L	Enable
L	H	Disable
H	L	Enable
H	H	Enable

### SN54LS592 . . . J OR W PACKAGE SN74LS592 . . . N PACKAGE (TOP VIEW)

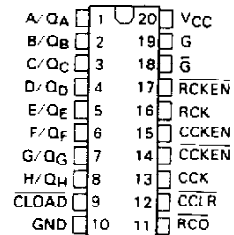


### SN54LS592 . . . FK PACKAGE (TOP VIEW)

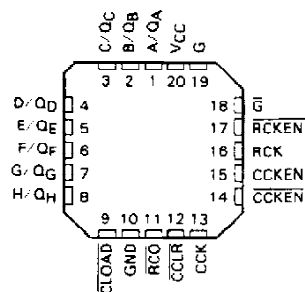


NC — No internal connection

### SN54LS593 . . . J OR W PACKAGE SN74LS593 . . . DW OR N PACKAGE (TOP VIEW)



### SN54LS593 . . . FK PACKAGE (TOP VIEW)



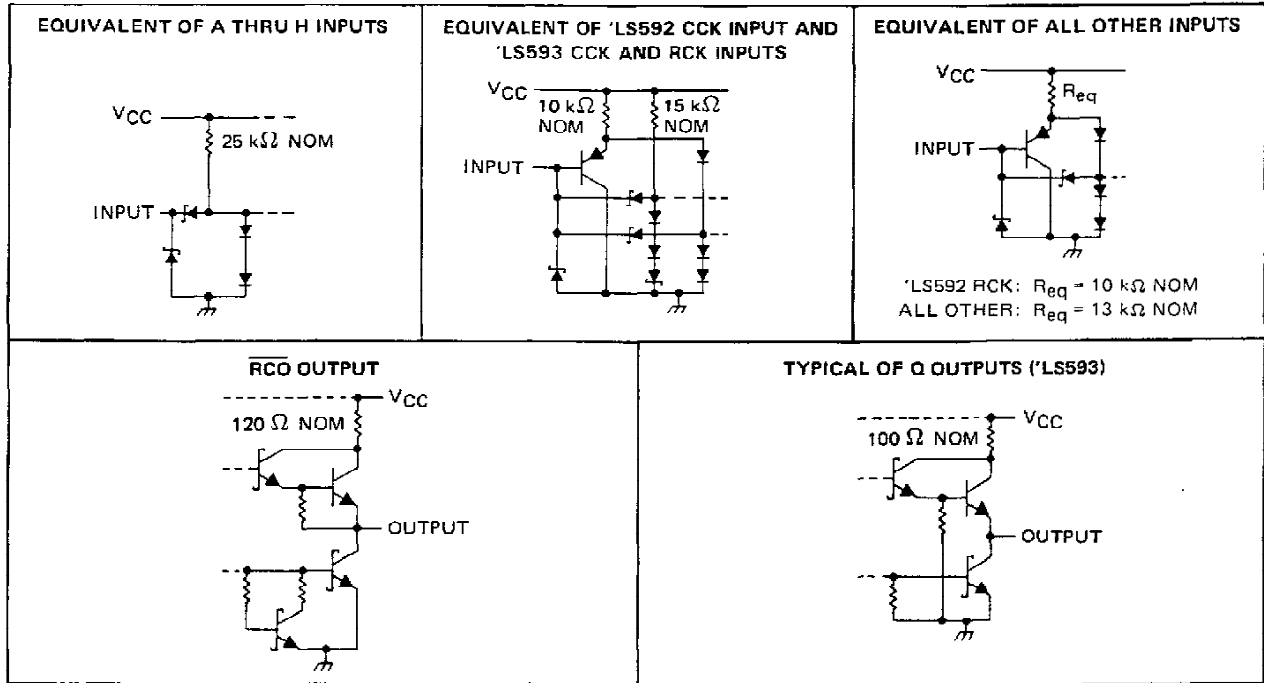
PRODUCTION DATA documents contain information current as of publication date. Products conform to specifications per the terms of Texas Instruments standard warranty. Production processing does not necessarily include testing of all parameters.

TEXAS  
INSTRUMENTS

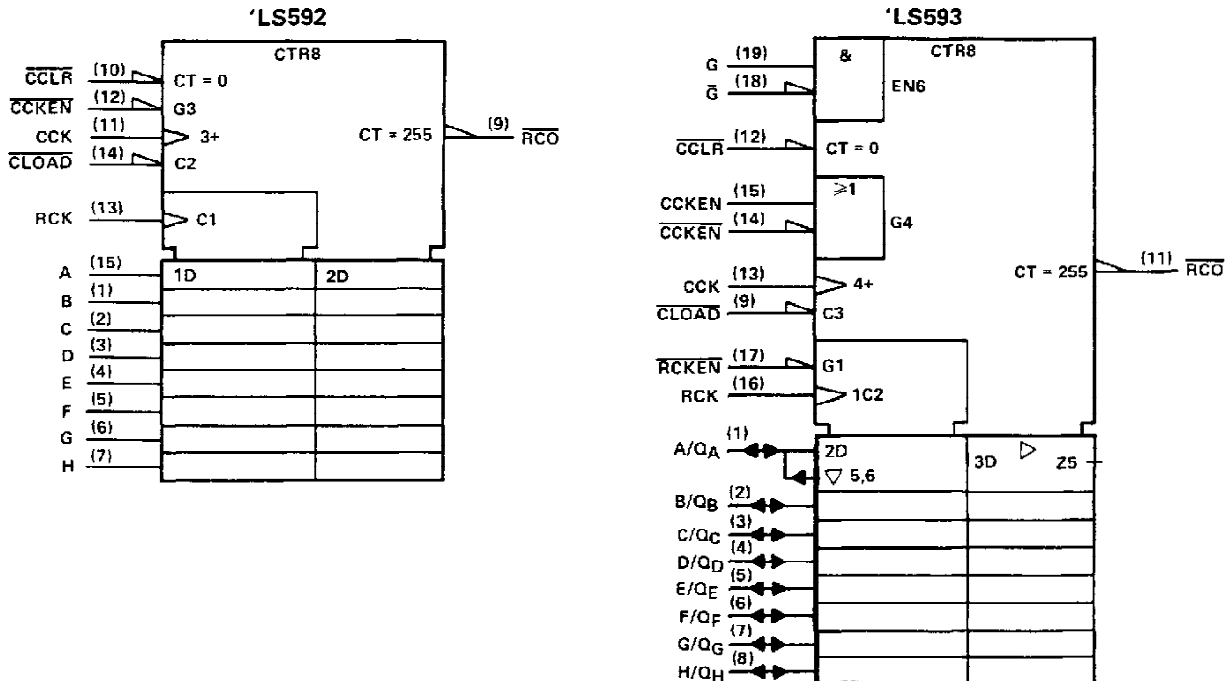
POST OFFICE BOX 655012 • DALLAS, TEXAS 75265

# SN54LS592, SN54LS593, SN74LS592, SN74LS593 8-BIT BINARY COUNTERS WITH INPUT REGISTERS

## schematics of inputs and outputs



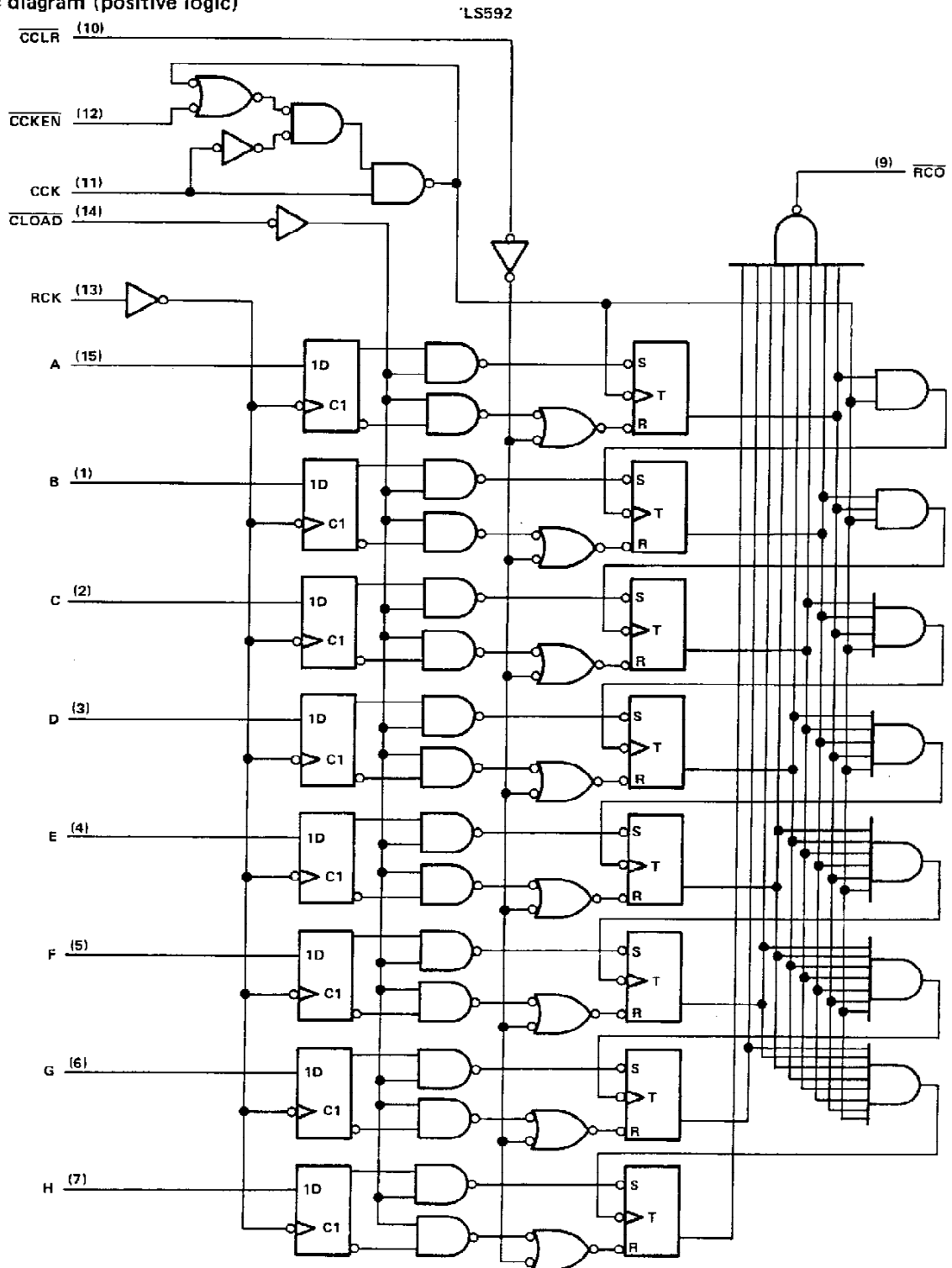
## logic symbols †



† These symbols are in accordance with ANSI/IEEE Std. 91-1984 and IEC Publication 617-12. Pin numbers shown are for DW, J, N, and W packages.

# SN54LS592, SN74LS592 8-BIT BINARY COUNTERS WITH INPUT REGISTERS

logic diagram (positive logic)

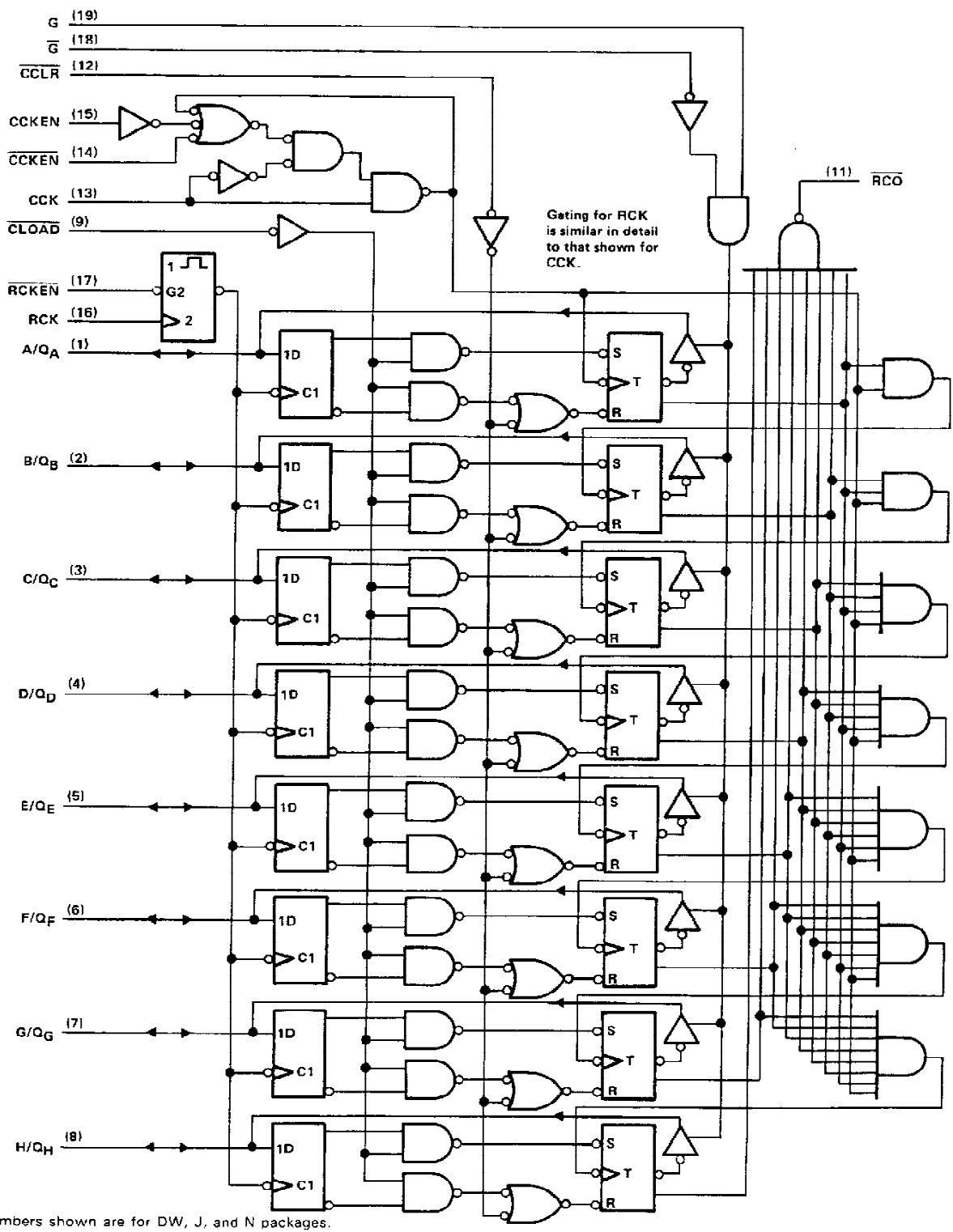


Pin numbers shown are for J, N, and W packages.

# SN54LS593, SN74LS593 8-BIT BINARY COUNTERS WITH INPUT REGISTERS

logic diagram (positive logic)

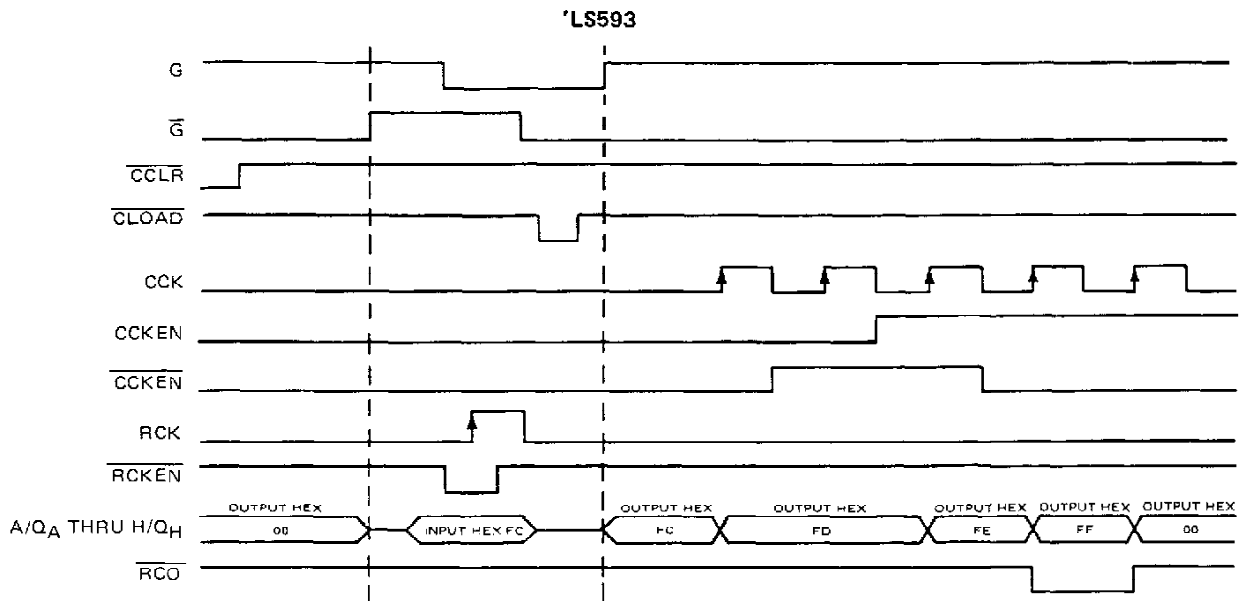
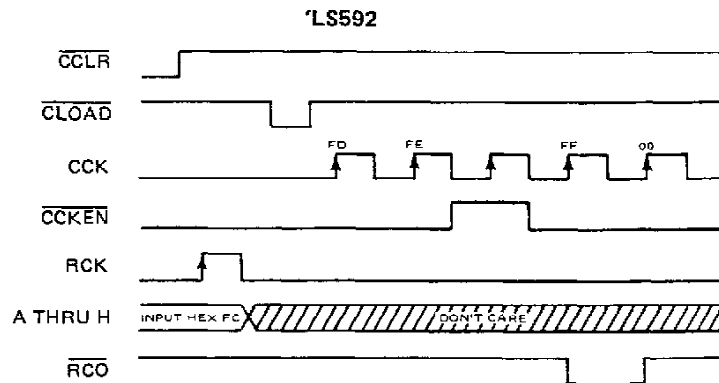
'LS593



Pin numbers shown are for DW, J, and N packages.

**SN54LS592, SN54LS593, SN74LS592, SN74LS593  
8-BIT BINARY COUNTERS WITH INPUT REGISTERS**

**typical operating sequences**



# SN54LS592, SN54LS593, SN74LS592, SN74LS593

## 8-BIT BINARY COUNTERS WITH INPUT REGISTERS

### absolute maximum ratings over operating free-air temperature range (unless otherwise noted)

Supply voltage, $V_{CC}$ (see Note 1)	7 V
Input voltage (excluding I/O ports)	7 V
Off-state output voltage (including I/O ports)	5.5 V
Operating free-air temperature range: SN54LS592, SN54LS593	-55°C to 125°C
SN74LS592, SN74LS593	0°C to 70°C
Storage temperature range	-65°C to 150°C

NOTE 1: Voltage values are with respect to the network ground terminal.

### recommended operating conditions

		SN54LS'			SN74LS'			UNIT
		MIN	NOM	MAX	MIN	NOM	MAX	
$V_{CC}$	Supply voltage	4.5	5	5.5	4.75	5	5.25	V
$V_{IH}$	High-level input voltage	2			2			V
$V_{IL}$	Low-level input voltage			0.7			0.8	V
$I_{OH}$	High-level output current	$\overline{RCK}$		-1	$\overline{RCK}$		-1	mA
		Q 'LS593 only		-1	Q 'LS593 only		-2.6	
$I_{OL}$	Low-level output current	$\overline{RCK}$		8	$\overline{RCK}$		16	mA
		Q 'LS593 only		12	Q 'LS593 only		24	
$f_{CCK}$	Counter clock frequency	0		20	0		20	MHz
$t_w(\overline{CCK})$	Duration of counter clock pulse	25			25			ns
$t_w(\overline{CCLR})$	Duration of counter clear pulse	20			20			ns
$t_w(\overline{RCK})$	Duration of register clock pulse	20			20			ns
$t_w(\overline{CLOAD})$	Duration of counter load pulse	40			40			ns
$t_{su}$	Register enable setup time	$\overline{RCKEN}$ low to $\overline{RCK} \uparrow$ , 'LS593		20	$\overline{RCKEN}$ low to $\overline{RCK} \uparrow$ , 'LS593		20	ns
$t_{su}$	Counter enable setup time before $\overline{CCK} \uparrow$	$\overline{CCKEN}$ low, 'LS592		30	$\overline{CCKEN}$ low, 'LS592		30	ns
		$\overline{CCKEN}$ low or $\overline{CCKEN}$ high, 'LS593		30	$\overline{CCKEN}$ low or $\overline{CCKEN}$ high, 'LS593		30	
		$\overline{CCLR}$ inactive before $\overline{CCK} \uparrow$		20	$\overline{CCLR}$ inactive before $\overline{CCK} \uparrow$		20	
$t_{su}$	Setup time	$\overline{CLOAD}$ inactive before $\overline{CCK} \uparrow$		20	$\overline{CLOAD}$ inactive before $\overline{CCK} \uparrow$		20	ns
		$\overline{RCK} \uparrow$ before $\overline{CLOAD} \uparrow$ (see Note 2)		30	$\overline{RCK} \uparrow$ before $\overline{CLOAD} \uparrow$ (see Note 2)		30	
		Data A thru H before $\overline{RCK} \uparrow$		20	Data A thru H before $\overline{RCK} \uparrow$		20	
		Data A thru H after $\overline{RCK} \uparrow$		0	Data A thru H after $\overline{RCK} \uparrow$		0	
$t_h$	Hold time	Data A thru H after $\overline{RCK} \uparrow$		0	Data A thru H after $\overline{RCK} \uparrow$		0	ns
		All others		0	All others		0	
$T_A$	Operating free-air temperature	-55		125	0		70	°C

NOTE 2: This time insures the data saved by  $\overline{RCK} \uparrow$  will also be loaded into the counter.



POST OFFICE BOX 655012 • DALLAS, TEXAS 75265

## SN54LS592, SN54LS593, SN74LS592, SN74LS593 8-BIT BINARY COUNTERS WITH INPUT REGISTERS

electrical characteristics over recommended operating free-air temperature range (unless otherwise noted)

PARAMETER	TEST CONDITIONS†	SN54LS*		SN74LS*		UNIT																	
		MIN	TYP‡	MAX	MIN		TYP‡	MAX															
$V_{IK}$	$V_{CC} = \text{MIN.}$ , $I_I = -18 \text{ mA}$					-1.5	-1.5	V															
$V_{OH}$	'LS593 Q $V_{CC} = \text{MIN.}$ , $V_{IH} = 2 \text{ V.}$ $V_{IL} = \text{MAX.}$							$I_{OH} = -1 \text{ mA}$	2.4	3.2													
								$I_{OH} = -2.6 \text{ mA}$				2.4	3.1										
								$I_{OH} = -1 \text{ mA}$	2.4	3.2	2.4	3.2											
$V_{OL}$	'LS593 Q $V_{CC} = \text{MIN.}$ , $V_{IH} = 2 \text{ V.}$ $V_{IL} = \text{MAX.}$							$I_{OL} = 12 \text{ mA}$			0.25	0.4	0.25	0.4									
								$I_{OL} = 24 \text{ mA}$				0.35	0.5										
								$I_{OL} = 8 \text{ mA}$			0.25	0.4	0.25	0.4									
								$I_{OL} = 16 \text{ mA}$				0.35	0.5										
$I_{OZH}$	'LS593 Q $V_{CC} = \text{MAX.}$ , $V_{IH} = 2 \text{ V.}$ $V_O = 2.7 \text{ V}$												20	20	$\mu\text{A}$								
$I_{OZL}$	'LS593 Q $V_{CC} = \text{MAX.}$ , $V_{IH} = 2 \text{ V.}$ $V_O = 0.4 \text{ V}$												-0.4	-0.4	mA								
$I_I$	'LS593 Q Others	$V_{CC} = \text{MAX.}$														$V_I = 5.5 \text{ V}$	0.1	0.1	0.1				
																$V_I = 7 \text{ V}$	0.1	0.1	0.1				
$I_{IH}$	$V_{CC} = \text{MAX.}$ , $V_I = 2.7 \text{ V}$															20	20	$\mu\text{A}$					
$I_{IL}$	CCK RCK 'LS592 'LS593 A thru H Others	$V_{CC} = \text{MAX.}$ , $V_I = 0.4 \text{ V}$																		-0.8	-0.8	-0.8	
																				-0.2	-0.2	-0.2	
																				-0.8	-0.8	-0.8	
																				-0.4	-0.4	-0.4	
																				-0.2	-0.2	-0.2	
$I_{OS}^{\S}$	'LS593 Q RCO	$V_{CC} = \text{MAX.}$ , $V_O = 0 \text{ V}$																	-30	-130	-30	-130	
																			-20	-100	-20	-100	
$I_{CC}$	'LS592 'LS593	$V_{CC} = \text{MAX.}$ All possible inputs grounded, All outputs open																		40	60	40	60
																				40	60	40	60
																				47	70	47	70
																				53	80	53	80
																				57	85	57	85

†For conditions shown as MIN or MAX, use the appropriate value specified under recommended operating conditions.

‡All typical values are at  $V_{CC} = 5 \text{ V}$ ,  $T_A = 25^\circ\text{C}$ .

§Not more than one output should be shorted at a time and the duration of the short-circuit should not exceed one second.

**TEXAS**  
**INSTRUMENTS**

POS\* OFFICE BOX 655012 • DALLAS, TEXAS 75265

**SN54LS592, SN54LS593, SN74LS592, SN74LS593**  
**8-BIT BINARY COUNTERS WITH INPUT REGISTERS**

switching characteristics,  $V_{CC} = 5\text{ V}$ ,  $T_A = 25^\circ\text{C}$ , (see note 3)

PARAMETER	FROM (INPUT)	TO (OUTPUT)	TEST CONDITIONS	'LS592			'LS593			UNIT
				MIN	TYP	MAX	MIN	TYP	MAX	
$f_{max}$	CCK ↑	$\overline{RCO}$	$R_L = 1\text{ k}\Omega$ , $C_L = 30\text{ pF}$	20	35		20	35		MHz
$t_{PLH}$	CCK ↑	Q	$R_L = 667\ \Omega$ , $C_L = 45\text{ pF}$				14	21		ns
$t_{PHL}$	CCK ↑	Q					26	39		ns
$t_{PLH}$	$\overline{CLOAD}$ ↓	Q					34	51		ns
$t_{PHL}$	$\overline{CLOAD}$ ↓	Q					28	42		ns
$t_{PHL}$	$\overline{CCLR}$ ↓	Q					25	38		ns
$t_{PZH}$	G ↑	Q					31	47		ns
$t_{PZL}$	G ↑	Q					27	40		ns
$t_{PZH}$	$\overline{G}$ ↓	Q					29	45		ns
$t_{PZL}$	$\overline{G}$ ↓	Q					31	47		ns
$t_{PHZ}$	G ↓	Q					33	50		ns
$t_{PLZ}$	G ↓	Q	$R_L = 667\ \Omega$ , $C_L = 5\text{ pF}$				35	52		ns
$t_{PHZ}$	$\overline{G}$ ↑	Q					26	39		ns
$t_{PLZ}$	$\overline{G}$ ↑	Q					28	42		ns
$t_{PLH}$	CCK ↑	$\overline{RCO}$								
$t_{PHL}$	CCK ↑	$\overline{RCO}$	$R_L = 1\text{ k}\Omega$ , $C_L = 30\text{ pF}$	15	23		14	21		ns
$t_{PLH}$	$\overline{CLOAD}$ ↓	$\overline{RCO}$		20	30		20	30		ns
$t_{PHL}$	$\overline{CLOAD}$ ↓	$\overline{RCO}$		31	47		31	47		ns
$t_{PLH}$	$\overline{CCLR}$ ↓	$\overline{RCO}$		27	41		27	41		ns
$t_{PHL}$	$\overline{CCLR}$ ↓	$\overline{RCO}$		30	45		30	45		ns
$t_{PLH}$	RCK ↑	$\overline{RCO}$	$R_L = 1\text{ k}\Omega$ , $C_L = 30\text{ pF}$ $\overline{CLOAD} = L$	35	53		42	63		ns
$t_{PHL}$	RCK ↑	$\overline{RCO}$		30	45		33	50		ns

NOTE 3: Load circuits and voltage waveforms are shown in Section 1.



## IMPORTANT NOTICE

Texas Instruments (TI) reserves the right to make changes to its products or to discontinue any semiconductor product or service without notice, and advises its customers to obtain the latest version of relevant information to verify, before placing orders, that the information being relied on is current.

TI warrants performance of its semiconductor products and related software to the specifications applicable at the time of sale in accordance with TI's standard warranty. Testing and other quality control techniques are utilized to the extent TI deems necessary to support this warranty. Specific testing of all parameters of each device is not necessarily performed, except those mandated by government requirements.

Certain applications using semiconductor products may involve potential risks of death, personal injury, or severe property or environmental damage ("Critical Applications").

TI SEMICONDUCTOR PRODUCTS ARE NOT DESIGNED, INTENDED, AUTHORIZED, OR WARRANTED TO BE SUITABLE FOR USE IN LIFE-SUPPORT APPLICATIONS, DEVICES OR SYSTEMS OR OTHER CRITICAL APPLICATIONS.

Inclusion of TI products in such applications is understood to be fully at the risk of the customer. Use of TI products in such applications requires the written approval of an appropriate TI officer. Questions concerning potential risk applications should be directed to TI through a local SC sales office.

In order to minimize risks associated with the customer's applications, adequate design and operating safeguards should be provided by the customer to minimize inherent or procedural hazards.

TI assumes no liability for applications assistance, customer product design, software performance, or infringement of patents or services described herein. Nor does TI warrant or represent that any license, either express or implied, is granted under any patent right, copyright, mask work right, or other intellectual property right of TI covering or relating to any combination, machine, or process in which such semiconductor products or services might be or are used.

**PACKAGING INFORMATION**

Orderable Device	Status <sup>(1)</sup>	Package Type	Package Drawing	Pins	Package Qty	Eco Plan <sup>(2)</sup>	Lead/Ball Finish	MSL Peak Temp <sup>(3)</sup>
5962-87621012A	ACTIVE	LCCC	FK	20	1	TBD	Call TI	Level-NC-NC-NC
5962-8762101EA	ACTIVE	CDIP	J	16	1	TBD	Call TI	Level-NC-NC-NC
5962-8762101EA	ACTIVE	CDIP	J	16	1	TBD	Call TI	Level-NC-NC-NC
5962-8762101FA	ACTIVE	CFP	W	16	1	TBD	Call TI	Level-NC-NC-NC
5962-8762101FA	ACTIVE	CFP	W	16	1	TBD	Call TI	Level-NC-NC-NC
SN54LS592J	ACTIVE	CDIP	J	16	1	TBD	Call TI	Level-NC-NC-NC
SN54LS592J	ACTIVE	CDIP	J	16	1	TBD	Call TI	Level-NC-NC-NC
SN54LS593J	ACTIVE	CDIP	J	20	1	TBD	Call TI	Level-NC-NC-NC
SN54LS593J	ACTIVE	CDIP	J	20	1	TBD	Call TI	Level-NC-NC-NC
SN74LS592D	ACTIVE	SOIC	D	16	40	Green (RoHS & no Sb/Br)	CU NIPDAU	Level-2-260C-1YEAR
SN74LS592D	ACTIVE	SOIC	D	16	40	Green (RoHS & no Sb/Br)	CU NIPDAU	Level-2-260C-1YEAR
SN74LS592DE4	ACTIVE	SOIC	D	16	40	Green (RoHS & no Sb/Br)	CU NIPDAU	Level-2-260C-1YEAR
SN74LS592DE4	ACTIVE	SOIC	D	16	40	Green (RoHS & no Sb/Br)	CU NIPDAU	Level-2-260C-1YEAR
SN74LS592DR	ACTIVE	SOIC	D	16	2500	Green (RoHS & no Sb/Br)	CU NIPDAU	Level-2-260C-1YEAR
SN74LS592DR	ACTIVE	SOIC	D	16	2500	Green (RoHS & no Sb/Br)	CU NIPDAU	Level-2-260C-1YEAR
SN74LS592DRE4	ACTIVE	SOIC	D	16	2500	Green (RoHS & no Sb/Br)	CU NIPDAU	Level-2-260C-1YEAR
SN74LS592DRE4	ACTIVE	SOIC	D	16	2500	Green (RoHS & no Sb/Br)	CU NIPDAU	Level-2-260C-1YEAR
SN74LS592N	ACTIVE	PDIP	N	16	25	Pb-Free (RoHS)	CU NIPDAU	Level-NC-NC-NC
SN74LS592N	ACTIVE	PDIP	N	16	25	Pb-Free (RoHS)	CU NIPDAU	Level-NC-NC-NC
SN74LS592N3	OBSOLETE	PDIP	N	16		TBD	Call TI	Call TI
SN74LS592N3	OBSOLETE	PDIP	N	16		TBD	Call TI	Call TI
SN74LS592NE4	ACTIVE	PDIP	N	16	25	Pb-Free (RoHS)	CU NIPDAU	Level-NC-NC-NC
SN74LS592NE4	ACTIVE	PDIP	N	16	25	Pb-Free (RoHS)	CU NIPDAU	Level-NC-NC-NC
SN74LS592NSR	ACTIVE	SO	NS	16	2000	Green (RoHS & no Sb/Br)	CU NIPDAU	Level-1-260C-UNLIM
SN74LS592NSR	ACTIVE	SO	NS	16	2000	Green (RoHS & no Sb/Br)	CU NIPDAU	Level-1-260C-UNLIM
SN74LS592NSRE4	ACTIVE	SO	NS	16	2000	Green (RoHS & no Sb/Br)	CU NIPDAU	Level-1-260C-UNLIM
SN74LS592NSRE4	ACTIVE	SO	NS	16	2000	Green (RoHS & no Sb/Br)	CU NIPDAU	Level-1-260C-UNLIM
SN74LS593DW	ACTIVE	SOIC	DW	20	25	Green (RoHS & no Sb/Br)	CU NIPDAU	Level-1-260C-UNLIM
SN74LS593DW	ACTIVE	SOIC	DW	20	25	Green (RoHS & no Sb/Br)	CU NIPDAU	Level-1-260C-UNLIM

Orderable Device	Status <sup>(1)</sup>	Package Type	Package Drawing	Pins	Package Qty	Eco Plan <sup>(2)</sup>	Lead/Ball Finish	MSL Peak Temp <sup>(3)</sup>
SN74LS593DWE4	ACTIVE	SOIC	DW	20	25	Green (RoHS & no Sb/Br)	CU NIPDAU	Level-1-260C-UNLIM
SN74LS593DWE4	ACTIVE	SOIC	DW	20	25	Green (RoHS & no Sb/Br)	CU NIPDAU	Level-1-260C-UNLIM
SN74LS593DWR	ACTIVE	SOIC	DW	20	2000	Green (RoHS & no Sb/Br)	CU NIPDAU	Level-1-260C-UNLIM
SN74LS593DWR	ACTIVE	SOIC	DW	20	2000	Green (RoHS & no Sb/Br)	CU NIPDAU	Level-1-260C-UNLIM
SN74LS593DWRE4	ACTIVE	SOIC	DW	20	2000	Green (RoHS & no Sb/Br)	CU NIPDAU	Level-1-260C-UNLIM
SN74LS593DWRE4	ACTIVE	SOIC	DW	20	2000	Green (RoHS & no Sb/Br)	CU NIPDAU	Level-1-260C-UNLIM
SN74LS593N	ACTIVE	PDIP	N	20	20	Pb-Free (RoHS)	CU NIPDAU	Level-NC-NC-NC
SN74LS593N	ACTIVE	PDIP	N	20	20	Pb-Free (RoHS)	CU NIPDAU	Level-NC-NC-NC
SN74LS593N3	OBSOLETE	PDIP	N	20		TBD	Call TI	Call TI
SN74LS593N3	OBSOLETE	PDIP	N	20		TBD	Call TI	Call TI
SN74LS593NE4	ACTIVE	PDIP	N	20	20	Pb-Free (RoHS)	CU NIPDAU	Level-NC-NC-NC
SN74LS593NE4	ACTIVE	PDIP	N	20	20	Pb-Free (RoHS)	CU NIPDAU	Level-NC-NC-NC
SN74LS593NSR	ACTIVE	SO	NS	20	2000	Green (RoHS & no Sb/Br)	CU NIPDAU	Level-1-260C-UNLIM
SN74LS593NSR	ACTIVE	SO	NS	20	2000	Green (RoHS & no Sb/Br)	CU NIPDAU	Level-1-260C-UNLIM
SN74LS593NSRE4	ACTIVE	SO	NS	20	2000	Green (RoHS & no Sb/Br)	CU NIPDAU	Level-1-260C-UNLIM
SN74LS593NSRE4	ACTIVE	SO	NS	20	2000	Green (RoHS & no Sb/Br)	CU NIPDAU	Level-1-260C-UNLIM
SNJ54LS592FK	ACTIVE	LCCC	FK	20	1	TBD	Call TI	Level-NC-NC-NC
SNJ54LS592FK	ACTIVE	LCCC	FK	20	1	TBD	Call TI	Level-NC-NC-NC
SNJ54LS592J	ACTIVE	CDIP	J	16	1	TBD	Call TI	Level-NC-NC-NC
SNJ54LS592J	ACTIVE	CDIP	J	16	1	TBD	Call TI	Level-NC-NC-NC
SNJ54LS592W	ACTIVE	CFP	W	16	1	TBD	Call TI	Level-NC-NC-NC
SNJ54LS592W	ACTIVE	CFP	W	16	1	TBD	Call TI	Level-NC-NC-NC
SNJ54LS593FK	ACTIVE	LCCC	FK	20	1	TBD	Call TI	Level-NC-NC-NC
SNJ54LS593FK	ACTIVE	LCCC	FK	20	1	TBD	Call TI	Level-NC-NC-NC
SNJ54LS593J	ACTIVE	CDIP	J	20	1	TBD	Call TI	Level-NC-NC-NC
SNJ54LS593J	ACTIVE	CDIP	J	20	1	TBD	Call TI	Level-NC-NC-NC
SNJ54LS593W	OBSOLETE			20		TBD	Call TI	Call TI
SNJ54LS593W	OBSOLETE			20		TBD	Call TI	Call TI

<sup>(1)</sup> The marketing status values are defined as follows:

**ACTIVE:** Product device recommended for new designs.

**LIFEBUY:** TI has announced that the device will be discontinued, and a lifetime-buy period is in effect.

**NRND:** Not recommended for new designs. Device is in production to support existing customers, but TI does not recommend using this part in a new design.

**PREVIEW:** Device has been announced but is not in production. Samples may or may not be available.

**OBSOLETE:** TI has discontinued the production of the device.

(2) Eco Plan - The planned eco-friendly classification: Pb-Free (RoHS) or Green (RoHS & no Sb/Br) - please check <http://www.ti.com/productcontent> for the latest availability information and additional product content details.

**TBD:** The Pb-Free/Green conversion plan has not been defined.

**Pb-Free (RoHS):** TI's terms "Lead-Free" or "Pb-Free" mean semiconductor products that are compatible with the current RoHS requirements for all 6 substances, including the requirement that lead not exceed 0.1% by weight in homogeneous materials. Where designed to be soldered at high temperatures, TI Pb-Free products are suitable for use in specified lead-free processes.

**Green (RoHS & no Sb/Br):** TI defines "Green" to mean Pb-Free (RoHS compatible), and free of Bromine (Br) and Antimony (Sb) based flame retardants (Br or Sb do not exceed 0.1% by weight in homogeneous material)

(3) MSL, Peak Temp. -- The Moisture Sensitivity Level rating according to the JEDEC industry standard classifications, and peak solder temperature.

**Important Information and Disclaimer:**The information provided on this page represents TI's knowledge and belief as of the date that it is provided. TI bases its knowledge and belief on information provided by third parties, and makes no representation or warranty as to the accuracy of such information. Efforts are underway to better integrate information from third parties. TI has taken and continues to take reasonable steps to provide representative and accurate information but may not have conducted destructive testing or chemical analysis on incoming materials and chemicals. TI and TI suppliers consider certain information to be proprietary, and thus CAS numbers and other limited information may not be available for release.

In no event shall TI's liability arising out of such information exceed the total purchase price of the TI part(s) at issue in this document sold by TI to Customer on an annual basis.

J (R-GDIP-T\*\*)

14 LEADS SHOWN

CERAMIC DUAL IN-LINE PACKAGE



DIM \ PINS **	14	16	18	20
A	0.300 (7,62) BSC	0.300 (7,62) BSC	0.300 (7,62) BSC	0.300 (7,62) BSC
B MAX	0.785 (19,94)	.840 (21,34)	0.960 (24,38)	1.060 (26,92)
B MIN	—	—	—	—
C MAX	0.300 (7,62)	0.300 (7,62)	0.310 (7,87)	0.300 (7,62)
C MIN	0.245 (6,22)	0.245 (6,22)	0.220 (5,59)	0.245 (6,22)



4040083/F 03/03

- NOTES:
- All linear dimensions are in inches (millimeters).
  - This drawing is subject to change without notice.
  - This package is hermetically sealed with a ceramic lid using glass frit.
  - Index point is provided on cap for terminal identification only on press ceramic glass frit seal only.
  - Falls within MIL STD 1835 GDIP1-T14, GDIP1-T16, GDIP1-T18 and GDIP1-T20.

W (R-GDFP-F16)

CERAMIC DUAL FLATPACK



- NOTES:
- A. All linear dimensions are in inches (millimeters).
  - B. This drawing is subject to change without notice.
  - C. This package can be hermetically sealed with a ceramic lid using glass frit.
  - D. Index point is provided on cap for terminal identification only.
  - E. Falls within MIL STD 1835 GDFP1-F16 and JEDEC MO-092AC

FK (S-CQCC-N\*\*)

LEADLESS CERAMIC CHIP CARRIER

28 TERMINAL SHOWN



4040140/D 10/96

- NOTES:
- A. All linear dimensions are in inches (millimeters).
  - B. This drawing is subject to change without notice.
  - C. This package can be hermetically sealed with a metal lid.
  - D. The terminals are gold plated.
  - E. Falls within JEDEC MS-004

N (R-PDIP-T\*\*)

PLASTIC DUAL-IN-LINE PACKAGE

16 PINS SHOWN



- NOTES:
- A. All linear dimensions are in inches (millimeters).
  - B. This drawing is subject to change without notice.
  - (C) Falls within JEDEC MS-001, except 18 and 20 pin minimum body length (Dim A).
  - (D) The 20 pin end lead shoulder width is a vendor option, either half or full width.



DW (R-PDSO-G20)

PLASTIC SMALL-OUTLINE PACKAGE



- NOTES:
- A. All linear dimensions are in inches (millimeters).
  - B. This drawing is subject to change without notice.
  - C. Body dimensions do not include mold flash or protrusion not to exceed 0.006 (0,15).
  - D. Falls within JEDEC MS-013 variation AC.

D (R-PDSO-G16)

PLASTIC SMALL-OUTLINE PACKAGE



- NOTES:
- A. All linear dimensions are in inches (millimeters).
  - B. This drawing is subject to change without notice.
  - C. Body dimensions do not include mold flash or protrusion not to exceed 0.006 (0,15).
  - D. Falls within JEDEC MS-012 variation AC.

# MECHANICAL DATA

NS (R-PDSO-G\*\*)

PLASTIC SMALL-OUTLINE PACKAGE

14-PINS SHOWN



- NOTES:
- A. All linear dimensions are in millimeters.
  - B. This drawing is subject to change without notice.
  - C. Body dimensions do not include mold flash or protrusion, not to exceed 0,15.

## IMPORTANT NOTICE

Texas Instruments Incorporated and its subsidiaries (TI) reserve the right to make corrections, modifications, enhancements, improvements, and other changes to its products and services at any time and to discontinue any product or service without notice. Customers should obtain the latest relevant information before placing orders and should verify that such information is current and complete. All products are sold subject to TI's terms and conditions of sale supplied at the time of order acknowledgment.

TI warrants performance of its hardware products to the specifications applicable at the time of sale in accordance with TI's standard warranty. Testing and other quality control techniques are used to the extent TI deems necessary to support this warranty. Except where mandated by government requirements, testing of all parameters of each product is not necessarily performed.

TI assumes no liability for applications assistance or customer product design. Customers are responsible for their products and applications using TI components. To minimize the risks associated with customer products and applications, customers should provide adequate design and operating safeguards.

TI does not warrant or represent that any license, either express or implied, is granted under any TI patent right, copyright, mask work right, or other TI intellectual property right relating to any combination, machine, or process in which TI products or services are used. Information published by TI regarding third-party products or services does not constitute a license from TI to use such products or services or a warranty or endorsement thereof. Use of such information may require a license from a third party under the patents or other intellectual property of the third party, or a license from TI under the patents or other intellectual property of TI.

Reproduction of information in TI data books or data sheets is permissible only if reproduction is without alteration and is accompanied by all associated warranties, conditions, limitations, and notices. Reproduction of this information with alteration is an unfair and deceptive business practice. TI is not responsible or liable for such altered documentation.

Resale of TI products or services with statements different from or beyond the parameters stated by TI for that product or service voids all express and any implied warranties for the associated TI product or service and is an unfair and deceptive business practice. TI is not responsible or liable for any such statements.

Following are URLs where you can obtain information on other Texas Instruments products and application solutions:

<b>Products</b>		<b>Applications</b>	
Amplifiers	<a href="http://amplifier.ti.com">amplifier.ti.com</a>	Audio	<a href="http://www.ti.com/audio">www.ti.com/audio</a>
Data Converters	<a href="http://dataconverter.ti.com">dataconverter.ti.com</a>	Automotive	<a href="http://www.ti.com/automotive">www.ti.com/automotive</a>
DSP	<a href="http://dsp.ti.com">dsp.ti.com</a>	Broadband	<a href="http://www.ti.com/broadband">www.ti.com/broadband</a>
Interface	<a href="http://interface.ti.com">interface.ti.com</a>	Digital Control	<a href="http://www.ti.com/digitalcontrol">www.ti.com/digitalcontrol</a>
Logic	<a href="http://logic.ti.com">logic.ti.com</a>	Military	<a href="http://www.ti.com/military">www.ti.com/military</a>
Power Mgmt	<a href="http://power.ti.com">power.ti.com</a>	Optical Networking	<a href="http://www.ti.com/opticalnetwork">www.ti.com/opticalnetwork</a>
Microcontrollers	<a href="http://microcontroller.ti.com">microcontroller.ti.com</a>	Security	<a href="http://www.ti.com/security">www.ti.com/security</a>
		Telephony	<a href="http://www.ti.com/telephony">www.ti.com/telephony</a>
		Video & Imaging	<a href="http://www.ti.com/video">www.ti.com/video</a>
		Wireless	<a href="http://www.ti.com/wireless">www.ti.com/wireless</a>

Mailing Address: Texas Instruments  
Post Office Box 655303 Dallas, Texas 75265