

Features:

- ◆ Compliant with IEEE802.3 and ANSI X3.263 standards including 350uH Min OCL with 8mA Bias Return Loss Requirements of IEEE802.3
- ◆ Designed To Meet IEEE802.30 Requirements
- ◆ Peak reflow temperature rating 260°C
- ◆ Remark: Contact PPT for further requirements.



Electrical specifications @25°C -operating temperature: 0°C to 70°C

Part Number	Turns Ratio (±5%)	OCL (μH Min.)	L.L (μH Max.)	Cw/w (PF Max.)	DCR (Ω Max.)	Hi-pot (Vrms)
PM44-11BP	CT1:1CT	350	0.5	35	1.5	1500
PM44-11AP	CT1:1CT	350	0.5	35	1.5	1500
PM44-11BPJ	CT1:1CT	350	0.5	35	1.5	1500
PSF-1628	CT1:1CT	350	0.5	35	1.5	1500
PSF-16240J	CT1:1CT	350	0.5	35	1.5	1500
PSF-16211	CT1:1CT	350	0.5	35	1.5	1500

Part Number	Insertion Loss (dB Typ.)	Return Loss (dB Min.)					Crosstalk (dB Min.)	CMRR (dB Min.)		
		.1-100MHz	1-30MHz	40MHz	50MHz	60-80MHz		.1-100MHz	1-30MHz	30-60MHz
PM44-11BP	-1.1	-18	-16	-14	-12	-35	-42	-32	-25	
PM44-11AP	-1.1	-18	-16	-14	-12	-35	-42	-32	-25	
PM44-11BPJ	-1.1	-18	-16	-14	-12	-35	-42	-32	-25	
PSF-1628	-1.1	-18	-16	-14	-12	-35	-42	-32	-25	
PSF-16240J	-1.1	-18	-16	-14	-12	-35	-40	-32	-25	
PSF-16211	-1.1	-18	-16	-14	-12	-35	-40	-32	-25	

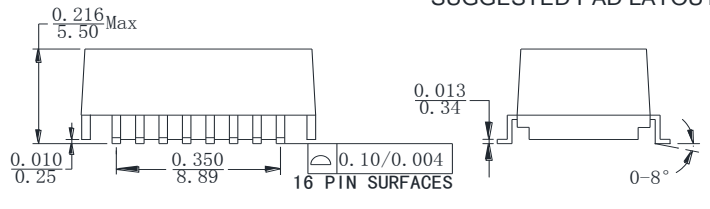
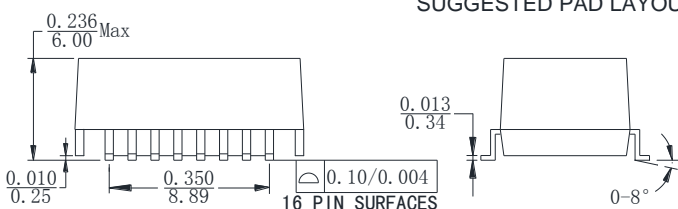
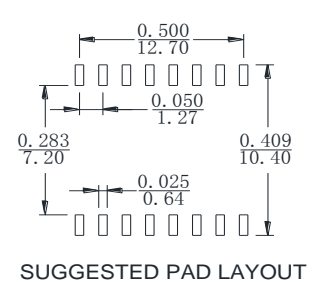
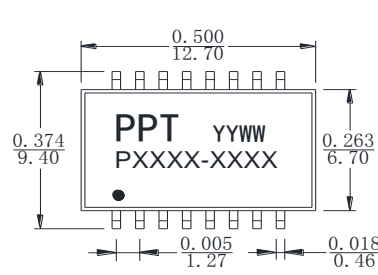
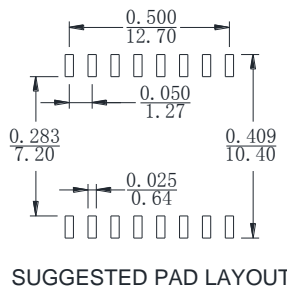
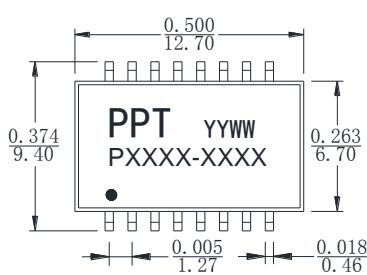
Note: 1. Test condition: Line Side Inductance @100KHz, 100mV with 8mA DC Bias

2. (PM44-11BPJ, PSF-16240J) Operating temperature range is -40°C TO +85°C: Line Side Inductance @100KHz, 100mV with 8mA DC Bias

Mechanicals

PM44-11BP, PM44-11BPJ, PM44-11AP
PSF-1628, PSF-16240J

PSF-16211



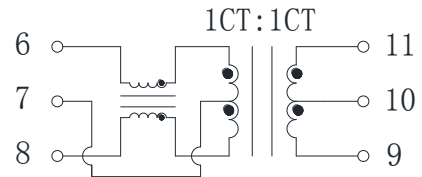
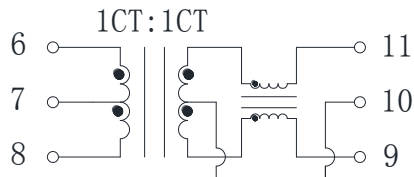
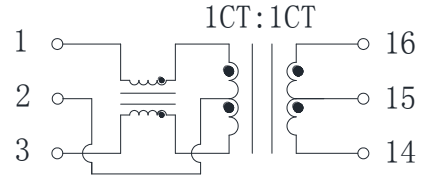
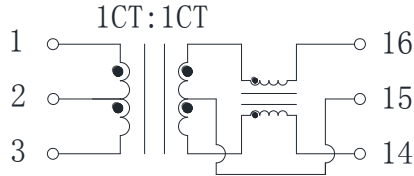
Dimension: $\frac{\text{Inches}}{\text{mm}}$

Unless otherwise specified, all tolerances are: $\pm \frac{0.01}{0.25}$

Schematic

PM44-11BP, PM44-11BPJ, PSF-16211

PM44-11AP

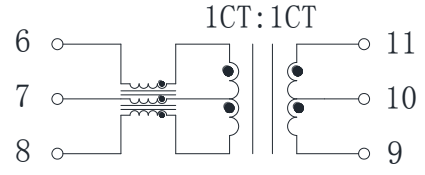
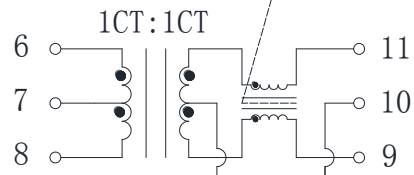
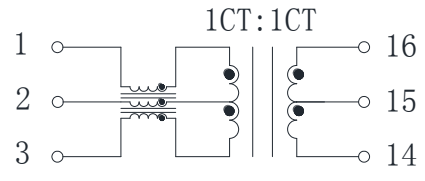
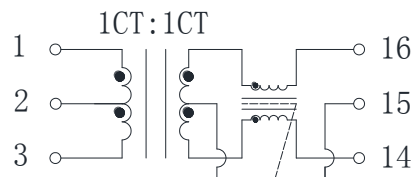


Notes: Pin4, 5, 12, 13 not connected

Notes: Pin4, 5, 12, 13 not connected

PSF-1628

PSF-16240J



Notes: Pin4, 5, 12, 13 not connected

Notes: Pin4, 5, 12, 13 not connected

Features:

- ◆ Compliant with IEEE802.3 and ANSI X3.263 standards including 350uH Min OCL with 8mA Bias Return Loss Requirements of IEEE802.3
- ◆ Designed to meet IEEE802.3 requirements
- ◆ Peak reflow temperature rating 260°C
- ◆ Remark: Contact PPT for further requirements



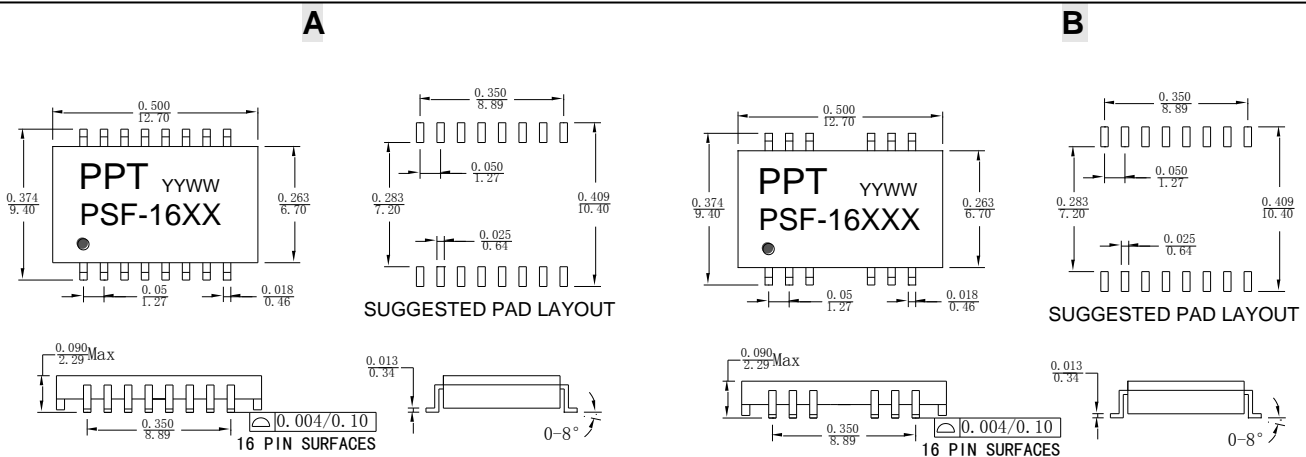
Electrical specifications @25°C -operating temperature: 0°C to 70°C

Part Number	Turns Ratio (±5%)	OCL (μH Min.)	L.L (μH Max.)	Cw/w (PF Max.)	DCR (Ω Max.)	Hi-pot (Vrms)	Mechanicals
PSF-1630	1CT:1CT	350	0.6	40	2	1500	A
PSF-1631	1CT:1CT	350	0.6	40	2	1500	A
PSF-1634	1CT:1CT	350	0.6	28	2	1500	B
PSF-1635	1CT:1CT	350	0.6	35	1.5	1500	A
PSF-1636	1CT:1CT	350	0.6	25	2	1500	A
PSF-1637	1CT:1CT	350	0.6	25	2	1500	B
PSF-1638	1CT:1CT	350	0.6	35	1.5	1500	B
PSF-1639	1CT:1CT	350	0.6	35	1.5	1500	A
PSF-16310	1CT:1CT	350	0.6	25	1.5	1500	B

Part Number	Insertion Loss (dB Max)	Return Loss (dB Min.)				Crosstalk (dB Min.)	DCMR (dB Min.)		Mechanicals
		.1-100MHz	1-30MHz	40MHz	50MHz		60-80MHz	1-100MHz	
PSF-1630	-1.1	-16	-14	-13.5	-10	-30	-33	-30	A
PSF-1631	-1.1	-16	-14	-13.5	-10	-30	-35	-30	A
PSF-1634	-1.2	-16	-15.5	-13.5	-10	-33	-33	-26	B
PSF-1635	-1.1	-16	-14	-13.5	-10	-38	-33	-30	A
PSF-1636	-1.2	-16	-15.5	-13.5	-10	-38	-33	-26	A
PSF-1637	-1.2	-16	-15.5	-13.5	-10	-33	-33	-26	B
PSF-1638	-1.1	-18	-14	-14	-12	-40	-33	-30	B
PSF-1639	-1.1	-18	-14	-14	-12	-40	-33	-30	A
PSF-16310	-1.1	-18	-15.5	-13.5	-10	-38	-33	-30	B

Note: 1. Test condition: Line Side Inductance @100KHz, 100mV with 8mA DC Bias
 2. Test condition (PSF-1636, PSF-1638) Line Side Inductance @100KHz, 100mV

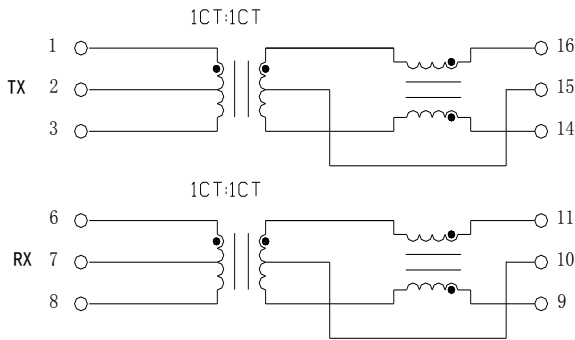
Mechanicals



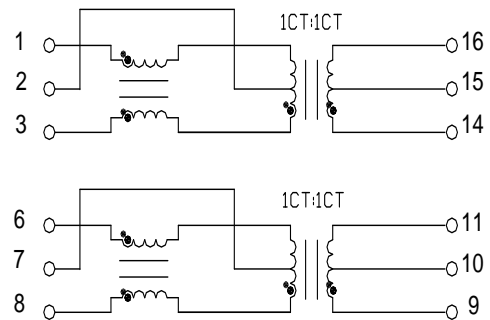
Dimension: $\frac{\text{Inches}}{\text{mm}}$
 Unless otherwise specified, all tolerances are: $\pm \frac{0.01}{0.25}$

Schematic

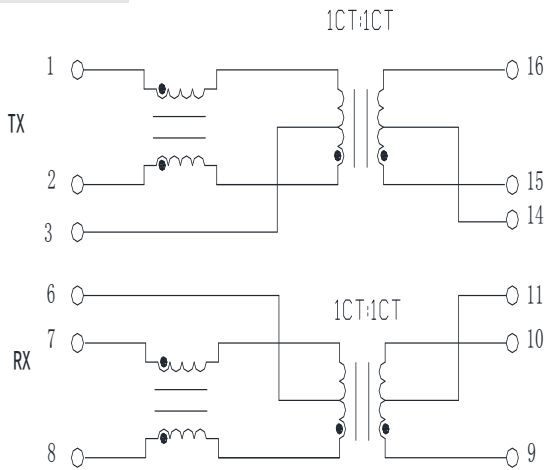
PSF-1635, PSF-16310



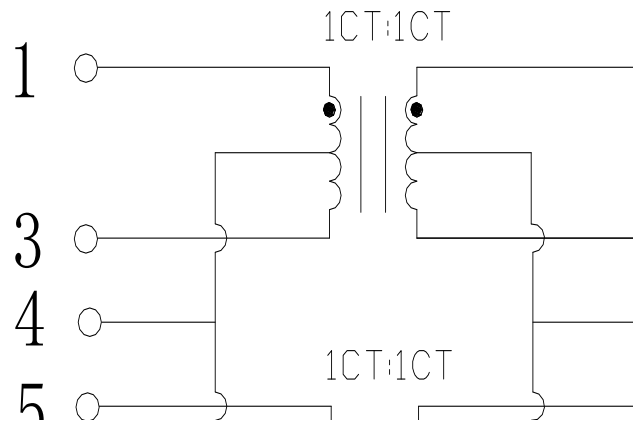
PSF-1639



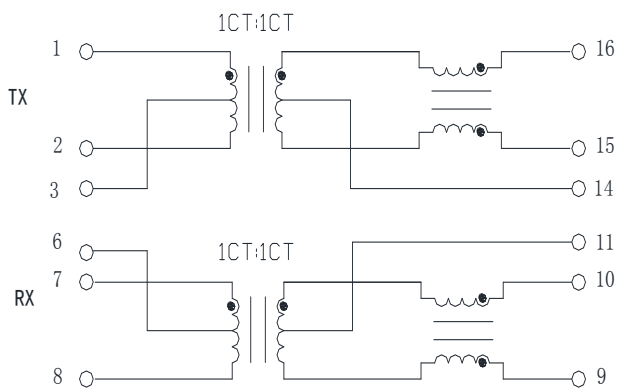
PSF-1630



PSF-1631, PSF-1634, PSF-1638



PSF-1636, PSF-1637



- ◆ Compliant with IEEE802.3 and ANSI X3.263 standards including 350uH Min OCL with 8mA Bias Return Loss Requirements of IEEE802.3
- ◆ Designed to meet IEEE802.3 requirements
- ◆ Peak reflow temperature rating 260°C
- ◆ Remark: Contact PPT for further requirements

Electrical specifications @25°C -operating temperature: 0°C to 70°C

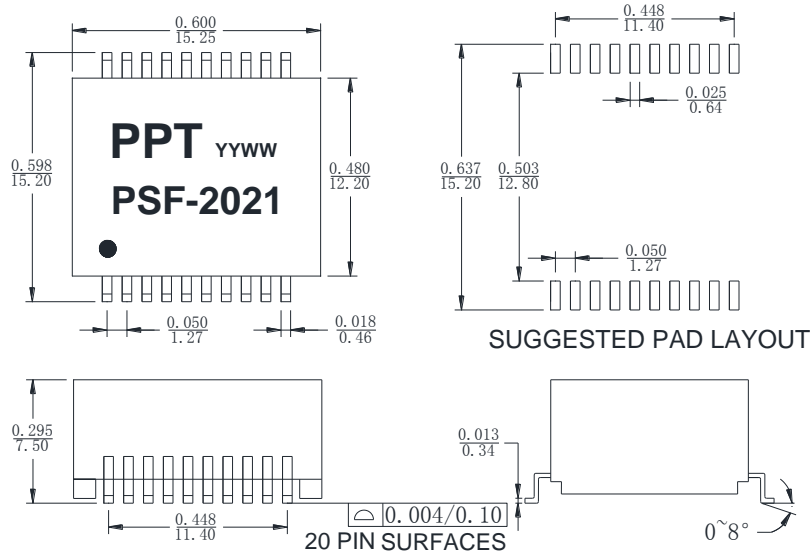
Part Number	Turns Ratio (±5%)	OCL (μH Min.)	L.L (μH Max.)	Cw/w (PF Max.)	DCR (Ω Max.)	Hi-pot (Vrms)
PSF-2021	1CT:1CT	350	0.5	35	1.8	1500

Part Number	Insertion Loss (dB Typ.)	Return Loss (dB Min.)				Crosstalk (dB Min.)		CMRR (dB Min.)
		.1-100MHz	1-30MHz	30-60MHz	60-80MHz	.1-60MHz	60-100MHz	
PSF-2021	-1.5	-18	-16	-12	-45	-30	-30	

Note: 1.Test condition: Line Side Inductance @100KHz, 100mV with 8mA DC Bias

Mechanicals

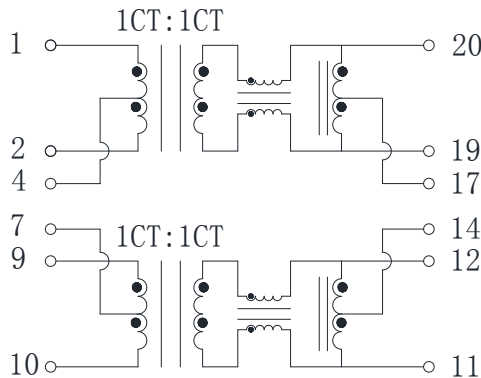
PSF-2021



Dimension: $\frac{\text{Inches}}{\text{mm}}$
 Unless otherwise specified, all tolerances are: $\pm \frac{0.01}{0.25}$

Schematic

PSF-2021



Features:

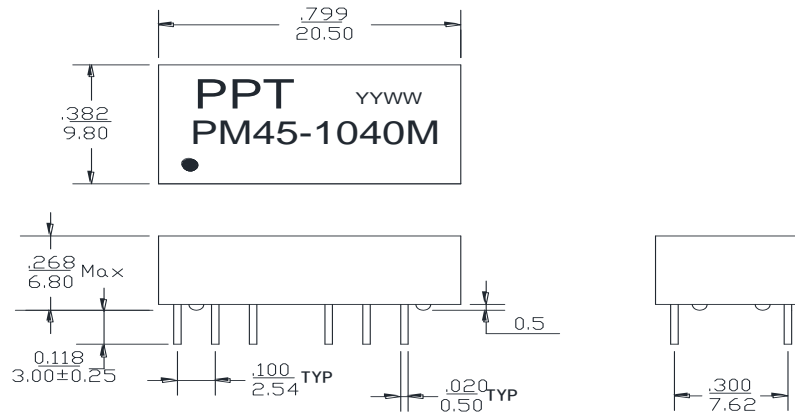
- ◆ Meet the Isolation, Insertion Loss and Return Loss Requirements of IEEE802.3
- ◆ Isolation Modules are Available for Most LAN IC Manufacture's Products
- ◆ Storage temperature range: 0°C to 85°C.

Electrical specifications @25°C -operating temperature: 0°C to 70°C

Part Number	Turns Ratio (±5%)	OCL (μH Min.)	L.L (μH Max.)	Cw/w (PF Max.)	DCR (Ω Max.)	Hi-pot (Vrms)
PM45-1040M	1:1	350	0.5	35	1.2	1500

Part Number	Insertion Loss (dB Typ.)	Return Loss (dB Min.)				Crosstalk (dB Min.)		CMRR (dB Min.)
	.1-100MHz	1-30MHz	30-60MHz	60-80MHz	.1-60MHz	60-100MHz	1-100MHz	
PM45-1040M	-1.1	-18	-13	-11	-40	-30	-30	

Mechanicals



Dimension: $\frac{\text{Inches}}{\text{mm}}$

Unless otherwise specified, all tolerances are: $\pm \frac{0.01}{0.25}$

Schematic

